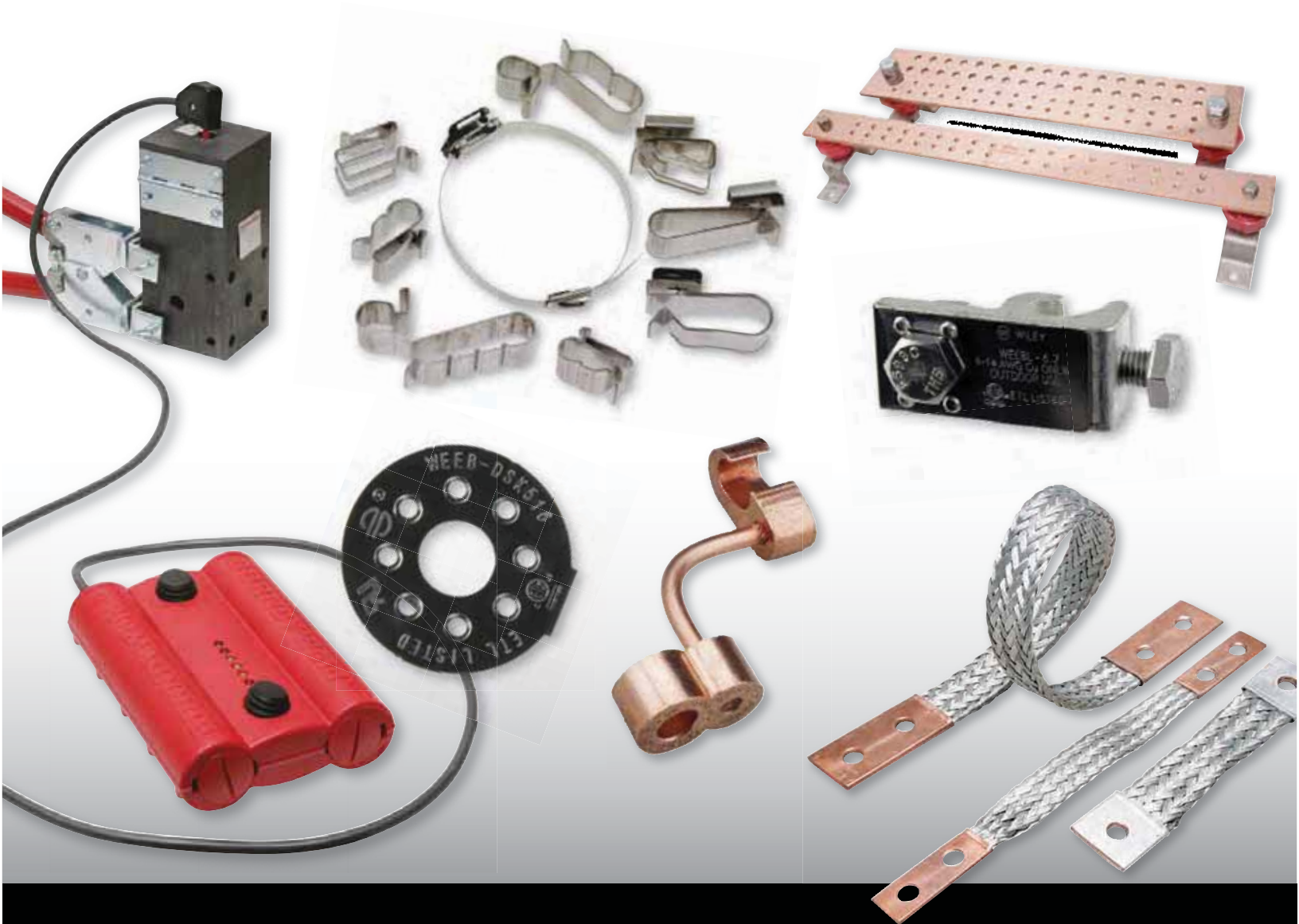




# Grounding Solutions





# The Grounding**Superstore**™

BURNDY offers all three methods of grounding: mechanical, compression and exothermic. No matter what your job requires, we have the quality products that meet and exceed standard performance guidelines.

Wiley products, including wire management, are now an important component to The Grounding Superstore.

Talk to your dedicated sales representative or visit [www.burndy.com](http://www.burndy.com) for more information.



wiley



Connecting Power to Your World™



## TABLE OF CONTENTS

### HYGROUND® Irreversible Compression Grounding

<p><b>HYGROUND® Introduction</b> ..... 9</p> <p style="padding-left: 20px;"><b>Example Grids</b> ..... 10-11</p> <p style="padding-left: 20px;"><b>Features &amp; Benefits</b> ..... 12</p> <p><b>Type YGL-C</b>..... 13</p> <p><b>Type YGLR-C</b>..... 14</p> <p><b>Type YGHP-C</b>..... 15</p> <p><b>Type YGHP-C</b>..... 16</p> <p><b>Type YGHC-C</b> ..... 17</p> <p><b>Type YGHH-C</b> ..... 18</p> <p><b>Type YGC</b> ..... 19</p> <p><b>Type YSHG</b>..... 20</p> <p><b>Type YGHR-C</b> ..... 21</p> <p><b>Type YGHR-C</b> ..... 22</p> <p><b>Type YGHA</b> ..... 23</p> <p><b>Type YGA</b> ..... 24</p> <p><b>GROUND TAB</b>..... 25</p>	<p><b>Type YGHS</b>..... 26</p> <p><b>Type YGS</b>..... 27</p> <p><b>Type YGF</b>..... 28</p> <p><b>Type YGIB</b> ..... 29-30</p> <p><b>Type GSTUD-HY</b> ..... 31</p> <p><b>Types YGT, YTTAG</b> ..... 32</p> <p><b>Type YG-B</b>..... 33</p>
--	--

**⚡ Lightning Protection Information**

Basic rules for selection are:

1. Must be like material to the conductor.
2. Two bolts to ground rod—minimum, for mechanical.
3. Cable to cable connections can be installed with one bolt, two bolt, or compression means.
4. Cable to steel structure must have 8 in.<sup>2</sup> contact with steel.
5. Heavy duty stacks—mechanical only.
6. On all connectors with heavy duty stack rating, we must offer 1/16" thick lead plating as an option.  
The reason is closest 25 ft. to stack opening must use lead coated product.
7. UL 96 Listing.

**TABLE OF CONTENTS**

**Mechanical Grounding**

Types <b>KC, K2C</b> .....	34	Types <b>GQ, GX</b> .....	59
Type <b>SB</b> .....	35	Type <b>GG</b> .....	60
Type <b>KCKF</b> .....	36	<b>Braid Information</b> .....	61-62
Types <b>KC-J, EQC632</b> .....	37	Type <b>B</b> .....	63-65
Type <b>KS</b> .....	37	Type <b>BB-LT</b> .....	66
Type <b>FFG</b> .....	38	Types <b>CCY, B-B</b> .....	67
Types <b>GKA, KPB</b> .....	39	Type <b>BB-SS</b> .....	68
Types <b>CL50-1, CL50-1TN, CL</b> .....	40	Types <b>GB, GBM, GC, GCM</b> .....	69
Type <b>BGBS</b> .....	41	Types <b>GL, GZ</b> .....	70
Type <b>GAR</b> .....	42-43	Type <b>GC-CT</b> .....	71
Types <b>GAR-BU, GAR3902, GAR-RB</b> .....	44	Type <b>GIE-G</b> .....	72
Type <b>GAR-TC</b> .....	45	Type <b>GCB63T13G1</b> .....	73
Type <b>GD</b> .....	46	<b>Static Discharge Reels</b> .....	74
Type <b>GP</b> .....	47	<b>Rail Connectors</b> .....	75
Type <b>GA-H</b> .....	48	Type <b>QGFL</b> .....	76
Type <b>GK</b> .....	49	<b>Raised Floor Ground Connectors</b>	
<b>BONDIT® Intersystem Bonding</b>		<b>SUPER-CLAMP™</b> (Type <b>GXP</b> ).....	77
House or Meter Socket Mount .....	50	<b>UNIGROUND™</b> (Type <b>GRF</b> ).....	78
Wall Mounted .....	51	Types <b>GP-G1, GP-RT</b> .....	79
<b>Water Pipe Grounding</b> .....	52-56	<b>Bus Bar (Type BBB)</b> .....	80-81
Type <b>GC-A</b> .....	57	Type <b>BWB680 Series Pool Water Bonding Kit</b> .....	82
Types <b>GRC, GCRT1/0, GRL</b> .....	58		

**TABLE OF CONTENTS (continued)  
BURNDYWeld® Exothermic Grounding**

<p><b>QIKLITE® BURNDYWeld®</b> Battery Ignition System .....83</p> <p><b>BURNDYWeld® Introduction</b>.....84</p> <p><b>Making a BURNDYWeld®</b> <b>Connection</b>.....85</p> <p><b>BURNDYWeld® Weld Metal</b> .....86</p> <p>Type <b>BCC-1</b> Molds Horizontal End to End .....87</p> <p>Type <b>BCC-2</b> Molds Horizontal Cable Tap to Horizontal Cable Run .....88</p> <p>Type <b>BCC-4</b> Molds Horizontal to Horizontal Cable Cross .....89</p> <p>Type <b>BCC-11</b> Molds Horizontal to Horizontal Cable Cross .....90</p> <p>Type <b>BCC-6</b> Molds Horizontal Parallel Tap .....91</p> <p>Type <b>BCC-14</b> Molds Horizontal Parallel through Cables .....91</p> <p>Type <b>BCC-7</b> Molds Horizontal Parallel through Cables .....92</p> <p>Type <b>BCR-1</b> Molds Horizontal Cable Terminal to Ground Rod .....93</p>	<p>Type <b>BCR-2</b> Molds Horizontal Cable to Ground Rod .....94</p> <p>Type <b>BCR-3</b> Molds Horizontal through Cable to Ground Rod .....95</p> <p>Type <b>BCR-17</b> Molds Horizontal Run and Tap Cables to Ground Rod .....96</p> <p>Type <b>BCR-24</b> Molds Horizontal Parallel Run Cables to Ground Rod .....97</p> <p><b>SINGLE SHOT MOLDS</b>.....98</p> <p>Type <b>BCS-1</b> Molds Horizontal Cable to Horizontal Steel Surface .....99</p> <p>Type <b>BCS-8</b> Molds Horizontal Cable to Horizontal Steel Surface .....99</p> <p>Type <b>BCS-2</b> Molds Horizontal through Cable to Horizontal Steel Surface .....100</p> <p>Type <b>BCS-9</b> Molds Horizontal Cable to Horizontal Steel Surface .....100</p> <p>Type <b>BCS-3</b> Molds Angular Cable Drop to Vertical Steel Surface .....101</p> <p>Type <b>BCS-23</b> Molds Vertical Cable Drop to Vertical Steel Surface .....102</p>	<p>Type <b>BCS-4</b> Molds Vertical through Cable to Vertical Steel Surface .....102</p> <p>Type <b>BCS-6</b> Molds Horizontal through Cable to Vertical Steel Surface .....103</p> <p>Type <b>BCS-7</b> Molds Overhead Vertical Tap Cable to Vertical Steel Surface .....103</p> <p>Type <b>BCS-18</b> Molds Horizontal Tap Cable to Vertical Steel Surface .....104</p> <p>Type <b>BCS-5</b> Molds Horizontal Cable Tap to Horizontal Cast Iron Surface .....104</p> <p>Type <b>BCRE-1</b> Molds Horizontal Parallel Tap to Rebar .....105</p> <p>Type <b>BCRE-2</b> Molds Horizontal Parallel Tap to Horizontal Rebar Run .....106</p> <p>Type <b>BCRE-3</b> Molds Horizontal through Cable to Vertical Rebar .....107</p> <p>Type <b>BCRE-4</b> Molds Horizontal through Cable to Horizontal Rebar .....108</p> <p>Type <b>BCRE-6</b> Molds Horizontal Cable Tap to Vertical Rebar .....109</p>
--	---	---

**TABLE OF CONTENTS (continued)  
BURNDYWeld® Exothermic Grounding (continued)**

<b>GROUNDMAX®</b> .....	110-111	<b>BURNDYWeld® Tool Kits</b> .....	116
<b>GRIDMAX™</b> .....	112	<b>BURNDYWeld® Tools</b> .....	116
<b>B-106 &amp; B-107 Handle Clamps</b> .....	120-122	<b>B38-0101-00 Rasp</b> .....	116
<b>B40-0106-75 Handle Attachment</b> .....	113	<b>B38-0309-00 Flint Ignitor</b> .....	116
<b>Mold Support Clamp</b> .....	113	<b>Ground Rod Driving Sleeves</b> .....	117
<b>Vertical Magnetic Clamps</b> .....	114	<b>Shim Stock, Adapter Sleeves</b> .....	117
<b>Horizontal &amp; Vertical Chain Clamps</b> .....	114		
<b>BURNDYWeld® Accessories</b> .....	115		
<b>B38-0330-00 Cable Clamp</b> .....	115		
<b>Cable Cleaning Brush &amp; Card Cloth Brush</b> .....	115		
<b>Mold Cleaners</b> .....	115		
<b>Packing Material</b> .....	115		

**TABLE OF CONTENTS (continued)**  
**Wiley Solutions**

Wiley Introduction .....	118
ACE Conduit Entry Box .....	119
Bonding Jumpers .....	120-122
Clamping Solutions .....	123-124
Grounding Lugs .....	125-126
WEEB® Washers .....	127-133
Wiley Cable Clips .....	134-135
Wiley Bundle Strap .....	136
Wiley Insulated Wire Management .....	137

**TABLE OF CONTENTS (continued)**

**Tooling**

<b>Introduction</b> .....	138	<b>Cutters</b>	
<b>Crimp Tools</b>		<b>PATCUT129LI</b> .....	150
<b>PAT46LWSLI</b> .....	139	<b>PATCUT245LI</b> .....	151
<b>PAT46LWLI</b> .....	140	<b>BCC1000CUAL</b> .....	152
<b>PAT750LI</b> .....	141	<b>YCUT129ACSR</b> .....	153
<b>Y750HSXT</b> .....	142	<b>RHCC129ACSR</b> .....	154
<b>Y46LWSBH</b> .....	143	<b>RHCC245CUAL</b> .....	155
<b>Y46LWBH</b> .....	144	<b>MCC Series</b> .....	156
<b>Y750BHXT</b> .....	145	<b>RCC Cu/Al</b> .....	157
<b>Dies</b>		<b>RCC Cu/Al and ACSR</b> .....	158
<b>12-Ton U Dies</b> .....	146	<b>Pumps</b>	
<b>U Die Kits</b> .....	147	<b>Y10AC9</b> .....	159
<b>W Dies</b> .....	148	<b>EPP10</b> .....	160
<b>W Die Kits</b> .....	149	<b>Hydraulic Hoses</b> .....	161
		<b>Torque Tools BTW Series</b> .....	162



**TABLE OF CONTENTS (continued)**  
**Accessories**

Introduction ..... 163

PENETROX™ How to Install Connectors 164

PENETROX™ ..... 164-165

Hardware Data..... 166

**DURIUM™ Silicon Bronze Hardware**

    Bolts ..... 166

    Nuts ..... 167

    Flatwashers..... 167

    Split Lockwashers ..... 167

    Internal Tooth Lockwashers ..... 167

**Aluminum Hardware**

    Bolts ..... 168

    Nuts ..... 168

    Flat Washers ..... 168

    Split Lockwashers ..... 168

**Galvanized Steel Hardware**

    Bolts ..... 169

    Nuts ..... 169

    Flatwashers..... 169

    Internal Tooth Lockwashers ..... 169

**Stainless Steel Hardware**

    Bolts ..... 170

    Nuts ..... 170

    Split Lockwashers ..... 170

    Flat Washers ..... 170

    Belleville Washers..... 171

**Hardware Kits**

    Type **TMH** ..... 172

    Type **TMH-SS**..... 172

**U-Bolts**..... 173

**TABLE OF CONTENTS (continued)**  
**Reference**

Specifics for BURNDY® HYGROUND® Connector System ..... 174

Hardware Data ..... 175-178

    Recommended Tightening Torque ..... 175

    DURIUM™ Hexagonal Bolt Data ..... 175

    Recommended Termination Hardware ..... 176

    Recommended Tightening Torque per UL486A & UL486B

        Screws ..... 176

        Slotted Head ..... 177

        Recessed Allen/Square Drives ..... 177

    Recommended Clamping on Bolted Connectors ..... 178

Cable Data ..... 179-185

    Copper Tube (Bus) ..... 179

    Solid Copper Wire ASTM B1, B2, & B3 ..... 180

    Stranded Copper Wire ASTM B8 (excluding breaking loads) ..... 181-182

    Solid Copperweld Cable ASTM B227 ..... 183

    Stranded Copperweld Cable ASTM B228 ..... 183

    Copperweld-Copper Cable ASTM B229 ..... 184

    Galvanized Steel Cable ASTM A475 ..... 185

AWG vs. Metric Wire Sizes ..... 186-187

Inches & Millimeters Conversion Chart ..... 188

Alpha-Numeric Index ..... 189-216



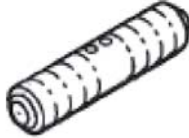
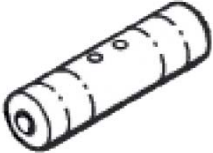




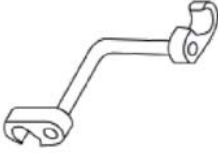
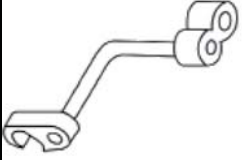
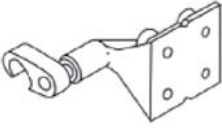
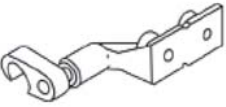
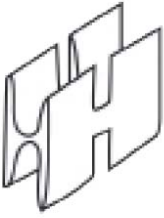
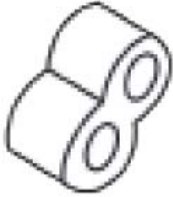

**THE HYGROUND® IRREVERSIBLE COMPRESSION SYSTEM**

BURNDY® has developed an irreversible compression ground system which meets the most stringent safety and performance requirements, including those of OSHA and nuclear power plant design. Performance excellence and long life expectancy are the system's basic design guidelines. It is a complete system which consists of connectors for grid cross connections, taps, splices, cable to ground rod, ground plates and terminations.

Our irreversible compression ground connectors employ well-proven design principles and technology that have been in existence for over 60 years.

Connectors are just one component of our Irreversible Compression Ground System. Installation tooling is also an integral part of this system. BURNDY® pioneered the compression connector principle and continues today to be the leader in compression technology. Our tooling package is the most extensive in the industry and affords the user many options.

**( LEGEND )**

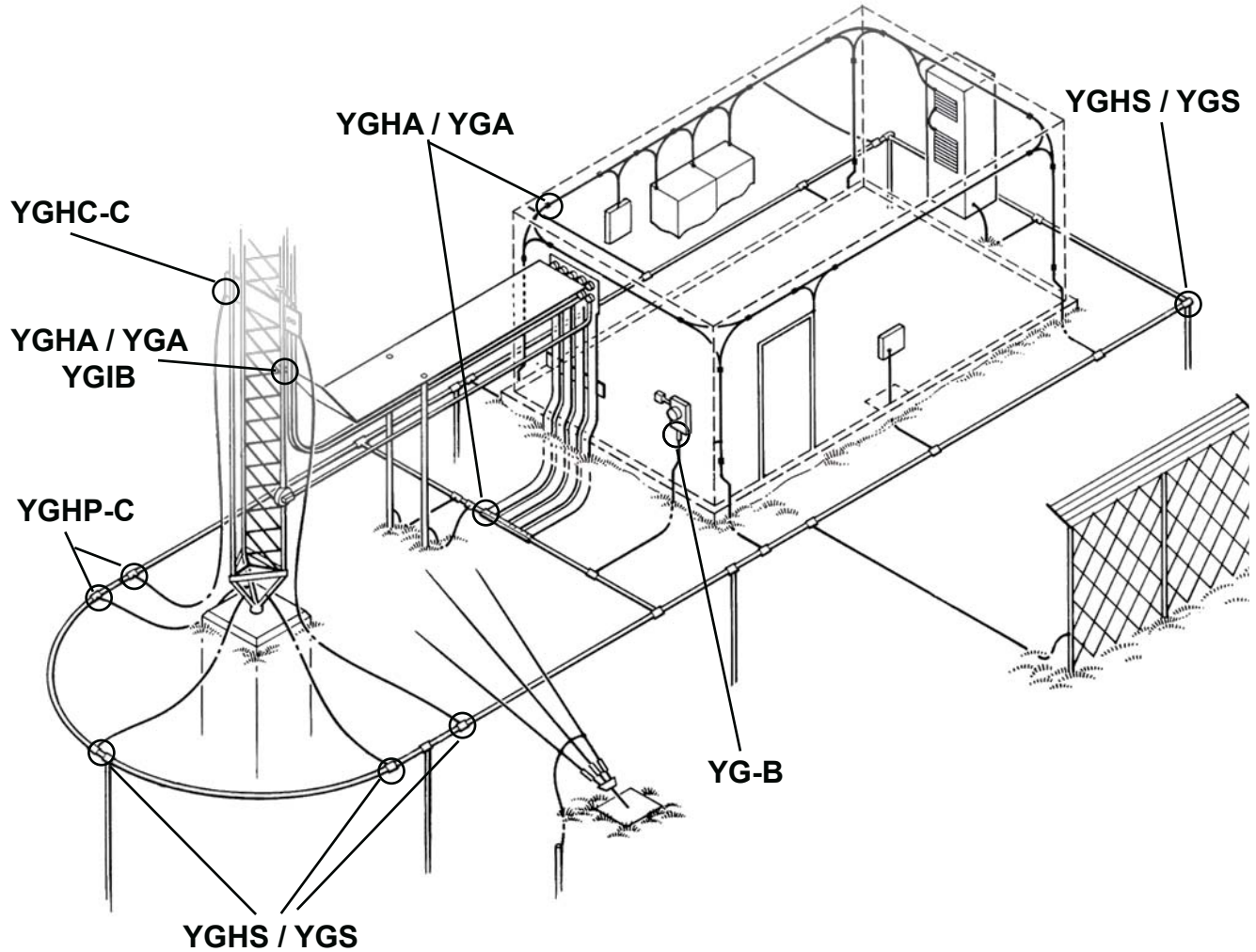
 <b>YGHA</b>	 <b>YGA</b>	 <b>YGHS</b>	 <b>YGS</b>	 <b>YG-B</b>
 <b>YGHP-C</b>	 <b>YGH-C</b>	 <b>YGB</b>	 <b>YGL-C</b>	 <b>YGLR-C</b>
 <b>YGF-4N</b>	 <b>YGF-2N</b>	 <b>YSHG</b>	 <b>YGHR-C</b>	 <b>GSTUD-HY</b>



**THE HYGROUND® IRREVERSIBLE COMPRESSION SYSTEM**

**Example:**

**BURNDY® HYGROUND® Wireless Communications Ground Ring Compression Connector System**



See Legend on Page 9

## THE HYGROUND® IRREVERSIBLE COMPRESSION SYSTEM

(Continued)

### Features and Benefits

- Irreversible compression.
  - ◇ Meets NEC code, section 250.
- Material-pure wrought copper extrusions, rod and seamless tubing—identical material to the conductor.
  - ◇ Completely eliminates the possibility of corrosion due to dissimilar metals.
- Heavy duty connector design.
  - ◇ All connectors will carry the equivalent or greater current carrying capacity of the conductor while maintaining high mechanical strength and electrical integrity.
- Range taking design—minimum number of connector combinations required to install a conductor range of #6 solid to 500 kcmil plus 1/2", 5/8", 3/4", and 1" ground rods and rebar.
  - ◇ Inventories are kept to a minimum and product selection is simplified.
- System engineered tooling.
  - ◇ Each tooling recommendation has been designed to ensure reliability of the connection.
- Irreversible compression connectors can be installed in all kinds of weather.
  - ◇ Eliminates costly construction delays and enables the installer to better schedule his job.
- May be installed without special training or special tools. Y750 crimps entire range.
  - ◇ Low installed cost.
  - ◇ Simplified installation.
- Each connection can be made in less than 3 minutes.
  - ◇ Low installed cost.
  - ◇ Simplified installation.
- Each connector is clearly marked with catalog number, conductor size and installation die information.
  - ◇ Easy and accurate identification.
- Inspection ports are provided to assure proper insertion of the conductor.
  - ◇ Built-in quality assurance.
- The die index number is embossed on the connector after completion of the crimp.
  - ◇ Facilitates speedy inspection of installed connectors to insure consistently reliable and sound connections.
- Most HYGROUND® irreversible compression elements are prefilled with PENETROX™ and individually sealed.
  - ◇ Ensures that all contact surfaces are in the proper condition for installation.
  - ◇ Ensures the electrical integrity of the finished connection by inhibiting moisture and contaminants from entering the contact area.
- All HYGROUND® irreversible compression connectors are Listed in conformance with Underwriters Laboratories Standard UL467 and conform to applicable sections of the National Electrical Code.
  - ◇ May be used in direct burial or concrete embedded grounding applications.
- All HYGROUND® irreversible connectors (with the exception of type YGA and YGS) have been tested successfully according to requirements of Standard IEEE 837.
  - ◇ Meets tough industry performance requirements.
  - ◇ UPRECrimp dies give added mechanical strength. UPRECrimp 34 for 3/4" rod, UPRECrimp 12 for 1/2" rod, and UPRECrimp 58 for 5/8" rod (now includes undersized U.S. marketplace rods).
- Allows connection to most sizes of structural steel with no drilling, tapping, or welding.
  - ◇ Safely installed at low cost. Hot work permits are not required to install in hazardous areas

Please contact Customer Service for applications requiring IEEE-837 2014.

Ground Rod and Rebar Diameter Chart				
Size	Ground Rod		Reinforcing Bar (Rebar)	
	Material*	Diameter	Size	Diameter
1/2"	Steel	0.500	#3 (3/8")	0.375
	Copperclad	0.475	#4 (1/2")	0.500
5/8"	Steel	0.625	#5 (5/8")	0.625
	Copperclad	0.563	#6 (3/4")	0.750
3/4"	Steel	0.750	#7 (7/8")	0.875
	Copperclad	0.682	#8 (1")	1.000
1"	Steel	1.000	#9 (1-1/8")	1.128
	Copperclad	0.914	—	—

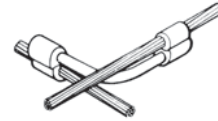
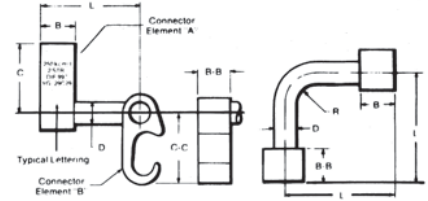
**TYPE YGL-C**

**HYGRID™ CROSS CONNECTOR**

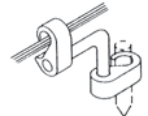
An irreversible compression ground grid cross connector which allows adjustment of the compression elements prior to installation. Only six connectors and four dies are required to install all combinations from #6 solid through 500 kcmil. UL467 Listed. Acceptable for direct burial in earth and concrete. Prefilled with PENETROX™ compound and strip sealed.



**IEEE-837\***



Ground Grid Cross Connection



Cable to Ground Rod

✓ UL96 Listed for Lightning Protection.



Catalog Number	B	BB	C	C-C	D	L	R
YGL2C2	0.75	0.75	1.09	1.09	0.31	2.50	0.31
YGL29C2			1.66	1.09	0.31		0.31
YGL29C29			1.66	1.66	0.50		0.50
YGL34C2			2.09	1.09	0.31		0.31
YGL34C29			2.09	1.66	0.50		0.50
YGL34C34	1.10	1.10	2.28	2.28	0.75		0.75

**ORDERING INFORMATION**

Catalog Number	Cable to Cable		Cable to Ground Rod		To Rebar
	Element "A"	Element "B"	Element "A"	Element "B"	Element "A"
YGL2C2	#6 Sol. (0.162) - #2 Str. (0.292) {59500} - {59500}	#6 Sol. (0.162) - #2 Str. (0.292) {59500} - {59500}	—	—	—
YGL29C2	#1 Str. (0.332) - 250 kcmil (0.575) {98500} - {131500}	#6 Sol. (0.162) - #2 Str. (0.292) {59500} - {59500}	1/2" - 5/8" Rod	#6 Sol. (0.162) - #2 Str. (0.292)	3/8" - 1/2"
YGL29C29	#2 Str. (0.292) - 250 kcmil (0.575) {65500} - {131500}	#2 Str. (0.292) - 250 kcmil (0.575) {65500} - {131500}	1/2" - 5/8" Rod	#2 Str. (0.292) - 250 kcmil (0.575)	#3 - 4 Rebar
YGL34C2	250 kcmil (0.575) - 500 kcmil (0.813)	#6 Sol. (0.162) - #2 Str. (0.292)	5/8" - 3/4" Rod	#6 Sol. (0.162) - #2 Str. (0.292)	5/8" - 3/4" #5 - 6 Rebar
YGL34C29		#2 Str. (0.292) - 250 kcmil (0.575)		#2 Str. (0.292) - 250 kcmil (0.575)	
YGL34C34		250 kcmil (0.575) - 500 kcmil (0.813)		250 kcmil (0.575) - 500 kcmil (0.813)	

Dimensions in brackets { } represent lightning protection conductors.

Catalog Number	Installation Tools, Die Set Catalog Number (Number of Crimps)							
	Y750/Y35/Y39 HYPRESS™		PAT750-18V		Y45 HYPRESS™		Y46 HYPRESS™	
	Element "A"	Element "B"	Element "A"	Element "B"	Element "A"	Element "B"	Element "A"	Element "B"
YGL2C2	U-O (1)	U-O (1)	U-O (1)	U-O (1)	U-O (1)	U-O (1)	U-O (1)	U-O (1)
YGL29C2	U997 (1)	U-O (1)	③ U997P (1)	U-O (1)	U997 (1)	U-O (1)	U997 (1)	U-O (1)
YGL29C29	U997 (1)	U997 (1)	③ U997P (1)	③ U997P (1)	U997 (1)	U997 (1)	U997 (1)	U997 (1)
YGL34C2 †	PU998 (1)	PU998 (1)	PU998 (1)	U-O (1)	S998 or PU998 (1)	U-O (1)	P998 or PU998 (1)	U-O (1)
YGL34C29 †	PU998 (1)	PU998 (1)	PU998 (1)	③ U997P (1)	S998 or PU998 (1)	U997 (1)	P998 or PU998 (1)	U997 (1)
YGL34C34 †	U1011 (3)	U1011 (3)	U1011 (3)	U1011 (3)	S1011 (3)	S1011 (3)	P1011 (3)	P1011 (3)

- Where a "U" or "PU" die is recommended with Y45 HYPRESS™, a PT6515 adapter must be used.
- Where a "U" or "PU" die is recommended with the Y46 HYPRESS™, a PUADP-1 adapter must be used.

③ Polarized die for the PAT750-18V.

† These connectors can only be installed using the Y750, Y45, or Y46 HYPRESS™ with the recommended dies.

\*Please contact Customer Service for applications requiring IEEE-837 2014.

**NOTES:**

- Before crimping, both connector elements can be turned on rod diameter "D" to any desired position.
- Clean rust and/or protective coatings from rebar prior to installation.
- When attaching connector to ground rod, ground rod must be embossed with appropriate PRECRIMP™ die. For connections that must meet IEEE 837 requirements UPRECRIMP-type PRE crimp dies must be used for maximum clamping retention.

Ground Rod Dia.	PRECRIMP Dies	
1/2"	UPRECRIMP 12	U2CABT
5/8"	UPRECRIMP 58	
3/4"	UPRECRIMP 34	

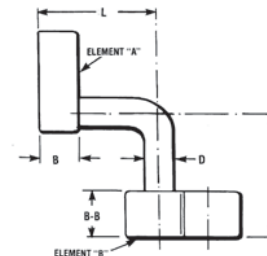
# Grounding HYGROUND® Compression

BURNDY®

## TYPE YGLR-C

### GRIDLOK™

High Strength Irreversible  
Compression Ground Rod to Grid  
Connector



Ground grid connector for a wide range of copper cable to ground rod. Provides high torque strength on ground rod. UL467 Listed. Acceptable for direct burial in earth and concrete. Prefilled with PENETROX™ compound and strip sealed.



IEEE-837\*



Catalog Number	B	B-B	D	L	Commercial Copper Cable Range Element "A"	Metric Copper Cable Range Element "A"	CopperWeld Cable Range Element "A"	Ground Rod Dia Element "B"
YGLR29C12	0.75	0.88 [22.4]	0.31	2.53	#2 Str. (0.292 Dia.) - 250 kcmil (0.575 Dia.)	35mm2 (7.62mm Dia.) - 120 mm2 (14.40mm Dia.)	91.65 kcmil (0.343 Dia.) - 248.8 kcmil (0.572 Dia.)	1/2" [12.7]
YGLR34C12	0.75	0.88 [22.4]	0.31	2.53	250 kcmil (0.575 Dia.) - 500 kcmil (0.813 Dia.)	120 mm2(14.40mm Dia.) - 240 mm2 (20.35mm Dia.)	248.8 kcmil (0.572 Dia.) - 498.8 kcmil (0.810 Dia.)	
YGLR29C58	0.75	0.88 [22.4]	0.31	2.53	#2 Str. (0.292 Dia.) - 250 kcmil (0.575 Dia.)	35mm2 (7.62mm Dia.) - 120 mm2 (14.40mm Dia.)	91.65 kcmil (0.343 Dia.) - 248.8 kcmil (0.572 Dia.)	5/8" [15.9]
YGLR34C58	0.75	0.88 [22.4]	0.31	2.53	250 kcmil (0.575 Dia.) - 500 kcmil (0.813 Dia.)	120 mm2 (14.40mm Dia.) - 240 mm2 (20.35mm Dia.)	248.8 kcmil (0.572 Dia.) - 498.8 kcmil (0.810 Dia.)	
YGLR29C34	0.75	0.88 [22.4]	0.50	2.63	#2 Str. (0.292 Dia.) - 250 kcmil (0.575 Dia.)	35mm2 (7.62mm Dia.) - 120 mm2 (14.40mm Dia.)	91.65 kcmil (0.343 Dia.) - 248.8 kcmil (0.572 Dia.)	3/4" [19.1]
YGLR34C34	0.75	0.88 [22.4]	0.50	2.63	250 kcmil (0.575 Dia.) - 500 kcmil (0.813 Dia.)	120 mm2 (14.40mm Dia.) - 240 mm2 (20.35mm Dia.)	248.8 kcmil (0.572 Dia.) - 498.8 kcmil (0.810 Dia.)	
YGLR29C100	0.75	0.88 [22.4]	0.50	2.63	#2 Str. (0.292 Dia.) - 250 kcmil (0.575 Dia.)	35mm2 (7.62mm Dia.) - 120 mm2 (14.40mm Dia.)	91.65 kcmil (0.343 Dia.) - 248.8 kcmil (0.572 Dia.)	1" [25.4]
YGLR34C100	0.75	0.88 [22.4]	0.50	2.63	250 kcmil (0.575 Dia.) - 500 kcmil (0.813 Dia.)	120 mm2 (14.40mm Dia.) - 240 mm2 (20.35mm Dia.)	248.8 kcmil (0.572 Dia.) - 498.8 kcmil (0.810 Dia.)	

Catalog Number	Installation Tools, Die Set Cat. No. (Number of Crimps)							
	Y35/Y39 HYPRESS™		Y750/PAT750		② Y45 HYPRESS™		③ Y46 HYPRESS™	
	Element "A"	Element "B"	Element "A"	Element "B"	Element "A"	Element "B"	Element "A"	Element "B"
YGLR29C12	U997 (1)	PU998 (1)	U997 (1)	U1011 (2) or PU998 (1)	U997 (1)	S1012 (2) or PU998 (1)	U997 (1)	P1011 (2) or PU998 (1)
YGLR34C12	—	—	U1011 or PU998 (1)	U1011 (2) or PU998 (1)	S998 or PU998 (1)	S1012 (2) or PU998 (1)	P998 or PU998 (1)	P1011 (2) or PU998 (1)
YGLR29C58	U997 (1)	PU998 (1)	U997 (1)	U1011 (2) or PU998 (1)	U997 (1)	S1012 (2) or PU998 (1)	U997 (1)	P1011 (2) or PU998 (1)
YGLR34C58	—	—	U1011 or PU998 (1)	U1011 (2) or PU998 (1)	S998 or PU998 (1)	S1012 (2) or PU998 (1)	P998 or PU998 (1)	P1011 (2) or PU998 (1)
YGLR29C34	U997 (1)	PU998 (1)	U997 (1)	U1011 (2) or PU998 (1)	U997 (1)	S1012 (2) or PU998 (1)	U997 (1)	P1011 (2) or PU998 (1)
YGLR34C34	—	—	U1011 (2) or PU998 (1)	U1011 (2) or PU998 (1)	U1011 (2) or PU998 (1)	S1012 (2) or PU998 (1)	U1011 (2) or PU998 (1)	P1011 (2) or PU998 (1)
YGLR29C100	—	—	U997 (1)	U1011 (2) or PU998 (1)	U997 (1)	S1012 (2) or PU998 (1)	U997 (1)	P1011 (2) or PU998 (1)
YGLR34C100	—	—	U1011 (2) or PU998 (1)	U1011 (2) or PU998 (1)	U1011 (2) or PU998 (1)	S1012 (2) or PU998 (1)	U1011 (2) or PU998 (1)	P1011 (2) or PU998 (1)

#### NOTES:

- ② Where a "U" or "PU" die is recommended with Y45 HYPRESS™, a PT6515 adapter is required
- ③ Where a "U" or "PU" die is recommended with Y46 HYPRESS™, a PUADP-1 adapter is required

- Before crimping, both connector elements can be turned on rod diameter "D" to any desired position.
- When attaching connector to ground rod, ground rod must be embossed with appropriate PRECRIMP die. For connectors that must meet IEEE 837 requirements, UPRECRIMP-type precrimp dies must be used for maximum clamping retention. No precrimp needed if using S1012, P1011 or U1011 die sets.

\*Please contact Customer Service for applications requiring IEEE-837 2014.

Ground Rod Dia.	PRECRIMP Dies	
1/2"	UPRECRIMP 12	U2CABT
5/8"	UPRECRIMP 58	
3/4"	UPRECRIMP 34	

US: 1-800-346-4175

www.burndy.com

Canada: 1-800-387-6487



**TYPE YGHP-C**

**HYTAP™**

Irreversible compression ground tap figure 6 can be used as a tap connector or as a tap splice connector. Four die sets and eight connectors can accommodate a conductor range from #8 solid through 500 kcmil plus 1/2", 5/8" and 3/4" copper bonded ground rods. UL467 Listed. Acceptable for direct burial in earth and concrete. Prefilled with PENETROX™ compound and strip sealed.



✓ UL96 Listed for Lightning Protection.

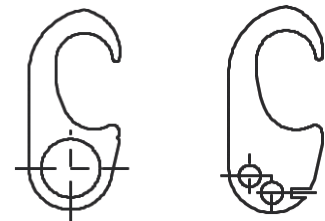
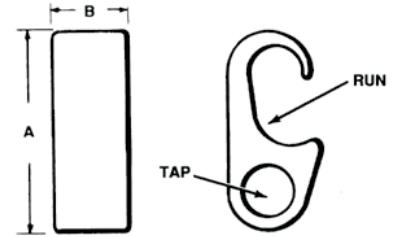


Fig. 1

Fig. 2

IEEE-837\*



Catalog Number	Fig. #	Accommodates		⑨ Cable to Rebar		B	Die Index	Installation Data				
		① Run	① Tap	Run	Tap			Y750/Y35/Y39	PAT750-18V	Y45 ②	Y46 ③	# of Crimps
YGHP2C2	1	#6 Sol. (0.162) {59500} - #2 Str. (0.292) {59500}	⑥ #6 Sol. (0.162) {59500} - #2 Str. (0.292) {59500}	—	—	0.75	O	UO	UO	UO	UO	1
YGHP2C6W6W ⑦	2	#6 Sol. (0.162) - #2 Str. (0.292)	#8 Sol. (0.128) - #6 Str. (0.184) Qty. 2	—	—							1
YGHP29C6W6W ⑦	2		#8 Sol. (0.128) - #6 Str. (0.184) Qty. 2	#3 Rebar 3/8 - 1/2 #4 Rebar	#8 Sol. - 6 Str.							1
YGHP29C2	1	1/0 Str. (0.372) {98500} - 250 kcmil (0.575) {131500}	#4 Sol. (0.204) {#4 Sol.} - #2 Str. (0.292) {#2 Str.}	#3 Rebar 3/8 - 1/2 #4 Rebar	#2 Str.	2.31	997	U997	U997P ④	U997	U997	1
YGHP29C26	1	1/0 Str. (0.372) {98500} - 2/0 Str. (0.419) {98500}	1/0 Str. (0.372) {98500} - 2/0 Str. (0.419) {98500}	#3 Rebar 3/8 - 1/2 #4 Rebar	1/0 Str. - 2/0 Str.							1
YGHP29C29 ⑧	1	3/0 Str. (0.470) {131500} - 250 kcmil (0.575) {211500}	3/0 Str. (0.470) {131500} - 250 kcmil (0.575) {211500}	#3 Rebar 3/8 - 1/2 #4 Rebar	3/0 Str. - 250 kcmil							1
YGHP34C2 ⑤	1	250 kcmil (0.575) {250 kcmil} - 500 kcmil (0.813) {500 kcmil} 5/8" - 3/4" Rod	#4 Sol. (0.204) - #2 Str. (0.292)	#5 Rebar 5/8 - 3/4 #6 Rebar	—	998	PU998	PU998	PU998 or S998	PU998 or P998	1	
YGHP34C26 ⑤	1	1/0 Str. (0.372) {98500} - 2/0 Str. (0.419) {98500}	1/0 Str. (0.372) {98500} - 2/0 Str. (0.419) {98500}	#5 Rebar 5/8 - 3/4 #6 Rebar	1/0 Str. - 2/0 Str.						1	
YGHP34C29 ⑤	1	3/0 Str. (0.470) {131500} - 250 kcmil (0.575) {211500}	3/0 Str. (0.470) {131500} - 250 kcmil (0.575) {211500}	#5 Rebar 5/8 - 3/4 #6 Rebar	3/0 Str. - 250 kcmil						1	
YGHP34C34 ⑤	1	250 kcmil (0.575) - 500 kcmil (0.813) 5/8" - 3/4" Rod	350 kcmil (0.681) - 500 kcmil (0.843)	#5 Rebar 5/8 - 3/4 #6 Rebar	350 kcmil - 500 kcmil	2.75	1011	U1011	U1011	S1011	P1011	3

**NOTES:**

- ① Dimensions in brackets { } represent lightning protection conductors.
- ② Where a "U" or "PU" die is recommended with Y45 HYPRESS™, a PT6515 adapter is required.
- ③ Where a "U" or "PU" die is recommended with Y46 HYPRESS™, a PUADP-1 adapter is required.
- ④ Polarized die for the PAT750 series tool.
- ⑤ These connectors can only be installed using the Y750, Y45 or Y46 series of HYPRESS™ tools; cannot be installed with the Y35 or Y39 series.

- ⑥ When using #6 Sol in tap, fold conductor double for improved fill.
- ⑦ Not UL96/CSA
- ⑧ When using 3/0 in tap, minimum run conductor must be 2/0 Str.
- ⑨ Clean rust and protective coatings from rebar prior to installation to provide proper ground connection. Precrimping is not required.

\*Please contact Customer Service for applications requiring IEEE-837 2014.

Ground Rod Dia.	PRECRIMP Dies	
	1/2"	UPRECRIMP 12
5/8"	UPRECRIMP 58	
3/4"	UPRECRIMP 34	

For increased rotational resistance on ground rods, pre-crimp ground rod with U2CABT, UPRECRIMP dies may be used for even greater rotation and vibration resistance on ground rods.

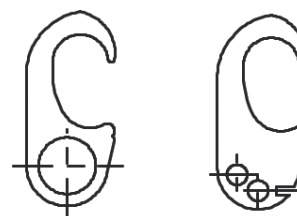
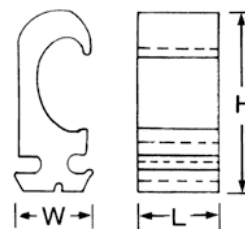
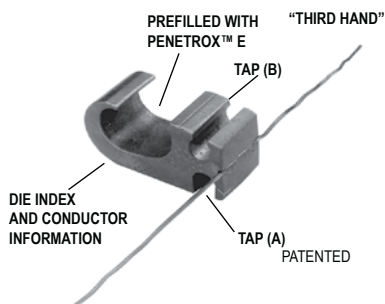
## TYPE YGHP-C

### HYTAP™ CONNECTOR

High Strength Copper Irreversible  
Compression

### Ground Rod Tap Connector

Type YGHP-C irreversible compression ground tap figure 6 can be used as a ground rod tap connector for both continuous run and tapping applications. An open groove allows ground rod to be connected to a continuous run or tap. The second groove is for a tap only. Prefilled with PENETROX™ E and strip sealed. UL467 Listed for direct burial in earth or concrete. \*For applications requiring IEEE-837 2014, please contact Customer Service.



### Features & Benefits

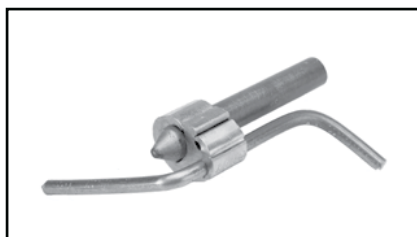
- Tap (A) accepts a continuous run on tap conductor. Tap (B) accepts a tap conductor only
  - ◊ One connector style can be used for many applications, reducing number of connectors in inventory
- Material is high conductivity wrought copper extrusion, identical material to the conductor
  - ◊ High-conductivity copper minimizes resistance and voltage drop. Eliminates the possibility of corrosion due to dissimilar metals
- System engineered tooling
  - ◊ The tooling recommendation has been designed to ensure a reliable, dependable connection every time
- The die index number is embossed on conductor after completion of crimp
  - ◊ Facilitates speedy inspection of installed connectors to insure consistently reliable and dependable connections

- Prefilled with PENETROX™ E and individually sealed in clear polyethylene sheet
  - ◊ Ensures the electrical integrity of the finished connection by inhibiting moisture and contaminants from entering the contact area. Maintains long-term high-conductivity
- UL467 Listed
  - ◊ May be used in direct burial or concrete embedded grounding applications. Provides quality assurance to recognized industry NEC standards from an independent party
- "Third Hand" constrains conductors while installer completes crimp, included with each connector
  - ◊ Simplifies installation, reducing installed cost

IEEE-837\*



SINGLE TAP



CONTINUOUS RUN



CONTINUOUS RUN AND TAP

Catalog Number	Ground Rod Dia. ①	Tap Conductor ②	Dimensions			Installation Tooling Die Number ③ (# of Crimps)		Die Index
			H	L	W	Y35/Y750/PAT750 HYPRESS™	④ Y46 HYPRESS™	
YGHP58C2W-2	1/2" - 5/8"	#2 Sol. - #6 Sol. Copper (1) Continuous Run and (1) Tap or up to (2) Taps may be connected	1.90"	0.75"	0.94"	U997 (1)	U997 (1)	997
YGHP58C2W-2TN						U997 (1)	U997 (1)	

① Ground rod must be precrimped with die U2CABT (Index 348); for greater rotational resistance use UPRECRIMP die; Galvanized Steel Rods require YGHP58C2W-2TN

② Either tap position may be left void when fewer than (2) conductors are used

③ See Tooling Section in Master Catalog for complete tool and die listing

④ Use PUADP-1 with "U"-dies in Y46

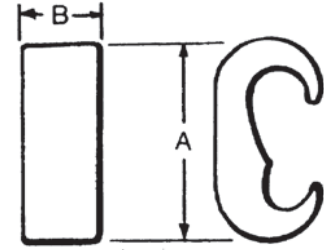
**NOTE:**

A 12" bend radius is recommended for the conductor

**TYPE YGHC-C**

**HYTAP™ CONNECTOR**

Irreversible compression ground tap figure “C” connectors. Accommodates all cable combinations from #6 solid through 500 kcmil. “C”- shaped opening permits placing two continuous parallel cables into conductor groove. UL 467 Listed. Acceptable for direct burial in earth or concrete. Prefilled with PENETROX™ compound and strip sealed. Certain sizes are also UL467 Listed and CSA Certified for wire to ground rod.



✓ UL96 Listed for Lightning Protection.

**IEEE-837\***



Catalog Number	① Commercial Copper Cable to Cable or Cable to Ground Rod		Stranded Copper Cable Range Metric		A	B	Die Index No.	Installation Data			No. of Crimps
	②		Run	Tap				Y750/Y35/PAT750/Y39	Y45 ③	Y46 ④	
	Run	Tap									
<b>YGHC2C2</b>	#6 Sol. (0.162) #2 Str. (0.292) 1/4" Rod ⑤	#6 Sol. (0.162) #2 Str. (0.292)	10 mm² (4.12 mm) 35 mm² (7.62 mm)	10 mm² (4.12 mm) 35 mm² (7.62 mm)	1.16	0.75	C	U-C	U-C	U-C	1
<b>YGHC26C2</b>	1 Str. (0.328) {98500} 2/0 Str. (0.419) {98500} 3/8" Rod ⑤	#6 Sol. (0.162) {#6 Sol.} #2 Str. (0.292) {#2 Str.}	35 mm² (7.62 mm) 70 mm² (10.9 mm)	10 mm² (4.12 mm) 35 mm² (7.62 mm)	1.41	0.75	O	U-O	U-O	U-O	1
<b>YGHC26C26</b>	1 Str. (0.328) {98500} 2/0 Str. (0.419) {98500} 3/8" Rod ⑤	1 Str. (0.328) {98500} 2/0 Str. (0.419) {98500}	35 mm² (7.62 mm) 70 mm² (10.9 mm)	35 mm² (7.62 mm) 70 mm² (10.9 mm)	1.54	0.75	O	U-O	U-O	U-O	1
<b>YGHC29C26</b>	3/0 Str. (0.470) {3/0 Str.} 250 kcmil (0.575) {250 kcmil} 1/2" or 5/8" Rod ⑤	6 Sol. (0.162) {59500} 2/0 Str. (0.419) {98500}	95 mm² (12.5 mm) 120 mm² (14.4 mm)	10 mm² (4.10 mm) 70 mm² (10.90 mm)	1.97	0.75	997	U997	U997	U997	1
<b>YGHC29C29</b>	3/0 Str. (0.470) 250 kcmil (0.575) 1/2" or 5/8" Rod ⑤	3/0 Str. (0.470) 250 kcmil (0.575)	95 mm² (12.5 mm) 120 mm² (14.4 mm)	95 mm² (12.5 mm) 120 mm² (14.4 mm)	2.06	0.88	997	U997	U997	U997	1
<b>YGHC34C26</b> ⑥	300 kcmil (0.630) {300 kcmil} 500 kcmil (0.813) {500 kcmil} 3/4" Rod ⑤	6 Sol. (0.162) {59500} 2/0 Str. (0.419) {98500}	150 mm² (16 mm) 240 mm² (20.35 mm)	10 mm² (4.10 mm) 70 mm² (10.90 mm)	2.42	0.88	1011	U1011	S1011	P1011	2
<b>YGHC34C29</b> ⑥	300 kcmil (0.630) 500 kcmil (0.813)	3/0 Str. (0.470) 250 kcmil (0.575)	150 mm² (16 mm) 240 mm² (20.35 mm)	95 mm² (12.5 mm) 120 mm² (14.4 mm)	2.67	0.88	1011	U1011	S1011	P1011	2
<b>YGHC34C34</b> ⑥	300 kcmil (0.630) 500 kcmil (0.813)	300 kcmil (0.630) 500 kcmil (0.813)	150 mm² (16 mm) 240 mm² (20.35 mm)	150 mm² (16 mm) 240 mm² (20.35 mm)	2.91	1.10	1011	U1011	S1011	P1011	3

① Dimensions in brackets { } represent lightning protection conductors

② For ground rod to wire applications, ground rod must be precrimped; see table for appropriate precrimp dies

③ Where a “U” or “PU” die is recommended with the Y45 HYPRESS™, a PT6515 adapter must be used

④ Where a “U” or “PU” die is recommended with the Y46 HYPRESS™, a PUADP-1 adapter must be used

⑤ Ground rod to copper cable is UL467 Listed for direct burial in earth and concrete

⑥ These connectors cannot be installed with the Y35 or Y39 HYPRESS™

**NOTES:**

Listed under UL486A for copper wire connectors

For connectors without PENETROX™ oxide inhibitor, add suffix “NP” to the end of the catalog number (example: YGHC2C2-NP)

\*Please contact Customer Service for applications requiring IEEE-837 2014.

Ground Rod Dia.	PRECRIMP Dies	
1/2"	UPRECRIMP 12	U2CABT
5/8"	UPRECRIMP 58	
3/4"	UPRECRIMP 34	

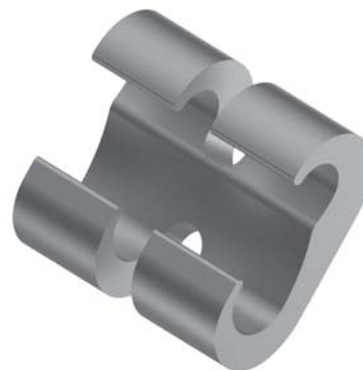
# Grounding HYGROUND® Compression

BURNDY®

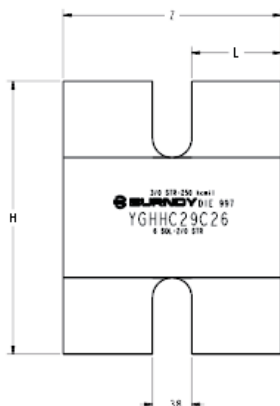
## TYPE YGHHHC-C

### HYTAP™ CONNECTOR

Irreversible compression ground tap figure "C" connectors. Accommodates all cable combinations from #6 solid through 500 kcmil. "C"-shaped opening permits placing two continuous parallel cables into conductor groove. The YGHHHC-C series is qualified to IEEE-837 2014. Prefilled with PENETROX™ compound and strip sealed.



IEEE-837



Catalog Number	Commercial Copper Cable to Cable or Cable to Ground Rod		Stranded Copper Cable Range Metric		H	L	Z	Die Index No.	Installation Data			No. of Crimps
	Run	Tap	Run	Tap					Y750/Y35/PAT750/Y39	Y45 <sup>③</sup>	Y46 <sup>④</sup>	
YGHHHC26C26	1 Str. (0.328) 2/0 Str. (0.419) 3/8" Rod	1 Str. (0.328) 2/0 Str. (0.419)	35 mm <sup>2</sup> (7.62 mm) 70 mm <sup>2</sup> (10.9 mm)	35 mm <sup>2</sup> (7.62 mm) 70 mm <sup>2</sup> (10.9 mm)	1.54 [39]	0.75 [19]	1.88 [48]	O	U-O	U-O	U-O	2
YGHHHC29C26	3/0 Str. (0.470) 250 kcmil (0.575) 1/2" or 5/8" Rod	6 Sol. (0.162) 2/0 Str. (0.419)	95 mm <sup>2</sup> (12.5 mm) 120 mm <sup>2</sup> (14.4 mm)	10 mm <sup>2</sup> (4.10 mm) 70 mm <sup>2</sup> (10.90 mm)	1.97 [50]	0.88 [22]	2.13 [54]	997	U997	U997	U997	2
YGHHHC29C29	3/0 Str. (0.470) 250 kcmil (0.575) 1/2" or 5/8" Rod	3/0 Str. (0.470) 250 kcmil (0.575)	95 mm <sup>2</sup> (12.5 mm) 120 mm <sup>2</sup> (14.4 mm)	95 mm <sup>2</sup> (12.5 mm) 120 mm <sup>2</sup> (14.4 mm)	2.06 [52]	0.88 [22]	2.13 [54]	997	U997	U997	U997	2
YGHHHC34C26	300 kcmil (0.630) 500 kcmil (0.813) 3/4" Rod	6 Sol. (0.162) 2/0 Str. (0.419)	150 mm <sup>2</sup> (16 mm) 240 mm <sup>2</sup> (20.35 mm)	10 mm <sup>2</sup> (4.10 mm) 70 mm <sup>2</sup> (10.90 mm)	2.42 [62]	0.88 [22]	2.13 [54]	1011	U1011	S1011	P1011	4
YGHHHC34C29 <sup>⑥</sup>	300 kcmil (0.630) 500 kcmil (0.813)	3/0 Str. (0.470) 250 kcmil (0.575)	150 mm <sup>2</sup> (16 mm) 240 mm <sup>2</sup> (20.35 mm)	95 mm <sup>2</sup> (12.5 mm) 120 mm <sup>2</sup> (14.4 mm)	2.67 [68]	0.88 [22]	2.13 [54]	1011	U1011	S1011	P1011	4
YGHHHC34C34	300 kcmil (0.630) 500 kcmil (0.813)	300 kcmil (0.630) 500 kcmil (0.813)	150 mm <sup>2</sup> (16 mm) 240 mm <sup>2</sup> (20.35 mm)	150 mm <sup>2</sup> (16 mm) 240 mm <sup>2</sup> (20.35 mm)	2.91 [74]	1.10 [28]	2.58 [66]	1011	U1011	S1011	P1011	6

② For ground rod to wire applications, ground rod must be precrimped; see table for appropriate precrimp dies

③ Where a "U" or "PU" die is recommended with the Y45 HYPRESS™, a PT6515 adapter must be used

④ Where a "U" or "PU" die is recommended with the Y46 HYPRESS™, a PUADP-1 adapter must be used

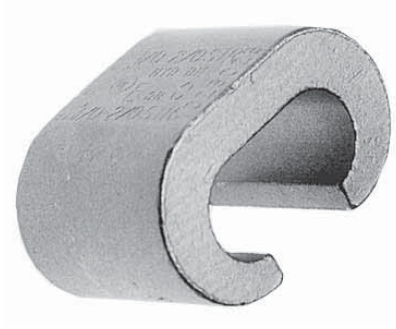
⑥ These connectors cannot be installed with the Y35 or Y39 HYPRESS™

Ground Rod Dia.	PRECRIMP Dies	
1/2"	UPRECRIMP 12	U2CABT
5/8"	UPRECRIMP 58	
3/4"	UPRECRIMP 34	

**TYPE YGC**

**COPPER CRIMPIT™**

UL 467 Listed for direct burial in earth or concrete.  
Prefilled with PENETROX™ E2 oxide inhibitor.



Catalog Number	Copper Conductor (Sol. & Str.)		H	L	Die Index	OUR840	MD6/MD7	Number of Crimps
	Run	Tap						
YGC8C8	8 AWG	8 AWG	0.46	0.52	162	W162	W162	2
YGC6C8	6 AWG	8 AWG	0.73	0.62	BG	XBG	WBG	2
YGC6C6	6 AWG	6 AWG	0.76	0.62	BG	XBG	WBG	2

# Grounding HYGROUND® Compression

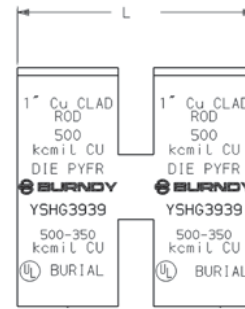
**BURNDY®**

## TYPE YSHG

### HIGH STRENGTH COPPER IRREVERSIBLE COMPRESSION

#### Double H-Tap Connector

Type YSHG Double H-Tap grounding series is comprised of five connectors designed to accommodate wire range sizes #14 through 500 kcmil, including ground rod sizes: 3/4", 1", and rebar sizes: #6, #7, #8 and #9. Prefilled with PENETROX™ E2 and strip sealed.



### Features & Benefits

- UL467 Listed
  - ◇ Suitable for direct burial in earth or concrete.
- Material is high conductivity copper extrusion
  - ◇ Minimizes resistance, eliminates corrosion due to dissimilar metals.
- Grooves are prefilled with PENETROX™ E2 oxide inhibitor and individually sealed
  - ◇ Inhibits moisture and contaminants ensuring electrical integrity.

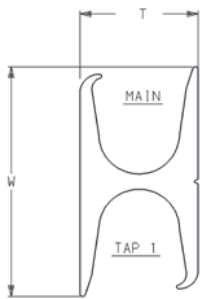


Fig. 1

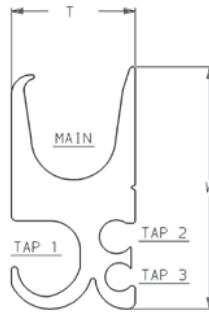


Fig. 2

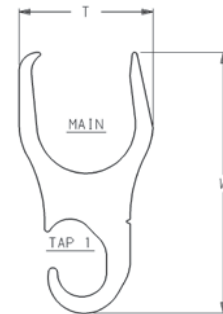


Fig. 3

Catalog Number	Fig. #	Conductor Sizes				Tooling (# of crimps)		Index Embossment	W ±.06	T ±.04	L ±.06
		Main	Tap 1	Tap 2	Tap 3	PAT750/Y750	Y46				
YSHG4429	3	#9 & #8 Rebar, 1" [25] Ground Rod	250 - 2	—	—	—	PYFR (2)	KR	3.22	1.70	2.44
YSHG3931 ①	2	#6 & #7 Rebar, 1" [25] Cu Clad Ground Rod, 3/4" Ground Rod 500 - 350 kcmil Copper	4/0 - 1/0	1 - 6	2 - 14	—	PYFR (2)	KR	2.97	1.50	2.34
YSHG3434	1	#6 Rebar, 3/4" [19] Ground Rod 400 - 250 kcmil Copper	400 - 4/0	—	—	U1104 (4)	P1104 (2) ② U1104 (4)	1104	2.43	1.15	2.44
YSHG3429	2	#6 Rebar, 3/4" [19] Ground Rod 400 - 4/0 kcmil Copper	3/0 - 1/0	1 - 4	8 - 14	U1104 (4)	P1104 (2) ② U1104 (4)	1104	2.23	1.31	2.44

① Not for use on 1" steel ground rod

② Use PUADP-1 adapter

**TYPE YGHR-C**

**HYTAIL™**

High Strength Irreversible  
Compression Ground Rod Tap  
Connectors



High torque strength ground rod connectors. Accommodates a wide range of copper conductors to ground rod. UL467 Listed. Acceptable for direct burial in earth or concrete. Prefilled with PENETROX™ compound and strip sealed.



IEEE-837\*



Catalog Number	H	L	Commercial Copper Cable Range	Nominal Ground Rod Dia.	Installation Tools, Die Set Catalog Number (# of Crimps)			
					PAT750/Y750/ ① Y35/Y39	Y45 ① HYPRESS™	Y46 ① HYPRESS™	
YGHR26C12	1.94	0.88	#2 Str. (0.29 Dia.) - 2/0 Str. (0.42 Dia.)	1/2" [12.70]	—	S1012 (2) ② PU998 (1)	P1011 (2) ③ PU998 (1)	
YGHR26C58	1.97			5/8" [15.90]				
YGHR26C34	2.19			3/4" [19.00]				
YGHR26C100 ④	2.55			1" [25.40]				
YGHR29C12	1.94		#4/0 Str. (0.53 Dia.) - 250 kcmil (0.58 Dia.)	1/2" [12.70]		U1011 (2) PU998 (1)		S1011 (2) S1012 (2) ② PU998 (1)
YGHR29C58	2.14			5/8" [15.90]				
YGHR29C34	2.19			3/4" [19.00]				
YGHR29C100 ④	2.45			1" [25.40]				
YGHR34C58	2.14		300 kcmil (0.63 Dia.) - 500 kcmil (0.81 Dia)	5/8" [15.90]		S1012 (2) ② PU998 (1)		S1011 (2)
YGHR34C34 ④	2.44			3/4" [19.00]				
YGHR34C100 ④	2.45	1" [25.40]						

- ① Ground rod must be pre-crimped with die U2CABT (index 348) when the PU998 dies are used in the Y750, PAT750, Y35, Y39, Y45, Y46 and PAT46 tools; pre-crimping is not required when the P1011, S1011, S1012 or U1011 dies are used; UPRECRIMP dies may be used for additional mechanical resistance on ground rods.
- ② Where a PU998 die is recommended with the Y45 HYPRESS™, a PT6515 adapter must be used.
- ③ Where a PU998 die is recommended with the Y46 HYPRESS™, a PUADP-1 adapter must be used.
- ④ These connectors cannot be installed with the Y35 or Y39 HYPRESS™.

**NOTES:**  
The catalog numbers shown are for unplated copper connectors for use on copper clad or stainless steel ground rod. To order electroplated connectors for use on galvanized steel ground rod add suffix "-TN" to the catalog number. The ground rod hole diameter is larger for galvanized steel ground rod in the tin plated connector.

Complete die catalog numbers do not always appear on the connector, sometimes it is the die index.

\*Please contact Customer Service for applications requiring IEEE-837 2014.

# Grounding HYGROUND® Compression

**BURNDY®**

## TYPE YGHR-C

### HYTAIL™

### High Strength Irreversible Compression Ground Rod Tap Connectors

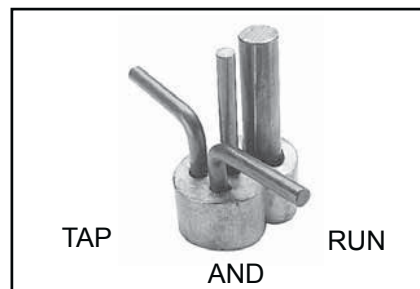


Type YGHR-C irreversible compression grounding connector is engineered specifically for the Telecommunications Industry for (1, 2 or 3) #2 solid, tinned or bare conductor taps. UL467 Listed. Acceptable for direct burial in earth or concrete. BURNDY® has designed this connector to meet the stringent requirements of OSHA, the National Electric Code (NEC), UL, and the Telecommunications Industry. Performance and long life are this connector's basic design guidelines.

### Features & Benefits

- Tap side 1, 2 or 3 conductors
  - ◊ One connector style can be used for many applications.
- Material is high conductivity wrought copper extrusion, identical material to the conductor
  - ◊ High-conductivity copper minimizes resistance and voltage drop. Eliminates the possibility of corrosion due to dissimilar metals.
- System engineered tooling
  - ◊ Each tooling recommendation has been designed to provide a reliable, dependable connection.
- The die index number is embossed on connector after completion of crimp

- ◊ Facilitates speedy inspection of installed connectors to ensure consistently reliable and dependable connections.
- Prefilled with PENETROX™ and individually sealed in clear polyethylene sheet
  - ◊ Ensures the electrical integrity of the finished connection by inhibiting moisture and contaminants from entering the contact area. Maintains long-term high-conductivity.
- UL 467 Listed. Acceptable for direct burial
  - ◊ May be used in direct burial or concrete embedded grounding applications. Provides quality assurance to recognized industry NEC standards from an independent party.



Catalog Number ⑤	Ground Rod Diameter ①	Tap Conductor ⑦	Installation Tools, Die Set Catalog Number (# of Crimps)		Die Index
			PAT750/Y750 ③ Y35 ④/Y39	Y46 ②	
YGHR58C2W-3	5/8"	#2 Sol Copper 1, 2, or 3 may be connected	PU998 (1) ⑥ U1011 (2)	PU998 (1) ⑥ U1011 (2) P998 (1) P1011 (2)	998/1011

① Contact BURNDY® for other ground rod diameters  
 ② PU998 and U1011 die sets require PUADP-1 adapter for use in the Y46 HYPRESS™  
 ③ The PAT750 and Y750 utilize PU dies and the U1011 die  
 ④ The Y35 only uses PU998 die  
 ⑤ To order electro-tin plated connector for use on galvanized steel ground rod add suffix "-TN" to the catalog number; The ground rod hole diameter is larger for galvanized steel ground rod in the tin plated connector

⑥ Ground rod must be precrimped with die U2CABT (Index 348) when PU998 die set is used in the Y35, Y750 or Y46 HYPRESS™ tools; for even greater mechanical resistance use UPRECRIMP58 dies

⑦ Tap positions may be left void when fewer than (3) conductors are used

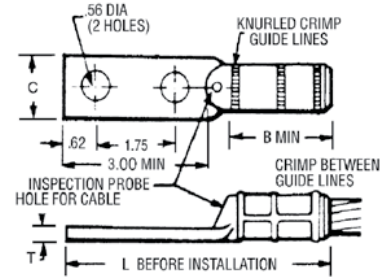


**TYPE YGHA**

**HYLUG™**

**Heavy Duty Irreversible Compression  
Terminals**

Heavy duty HYLUG™ irreversible compression terminals designed not only to carry short circuit load, but to also withstand high mechanical stress. Each conductor element has an inspection probe hole to ensure proper cable insertion. UL467 Listed. Acceptable for direct burial in earth or concrete. UL486A Listed. Prefilled with PENETROX™ compound and strip sealed.



**IEEE-837**



Catalog Number	Copper Conductor Size	Installation Tools, Die Set Catalog Number and (# of Crimps) HYPRESS™ Y35/Y39/Y45①/Y46②/Y750/PAT750	B	C	L	T
YGHA2C-2N	2 AWG	U1CRT (1)	0.75	0.97	4.21	0.26
YGHA25-2N	1/0 AWG	U27RT (1)	0.83	0.91	4.60	0.19
YGHA26-2N	2/0 AWG	U28RT (1)	0.83	0.97	4.38	0.26
YGHA27-2N	3/0 AWG	U29RT (1)	1.18	1.08	4.94	0.29
YGHA28-2N	4/0 AWG	U30RT (2)	1.18	1.22	4.94	0.30
YGHA29-2N	250 kcmil	U31RT (2)	1.18	1.28	4.94	0.34
YGHA31-2N*	350 kcmil	U34RT (2)	1.18	1.62	5.00	0.43
YGHA34-2N	500 kcmil	U36RT (3)	1.48	1.72	5.42	0.40

① Where a "U" or "PU" die is recommended with the Y45 HYPRESS™, a PT6515 adapter must be used  
 ② Where a "U" or "PU" die is recommended with the Y46 HYPRESS™, a PUADP-1 adapter must be used  
 \* IEEE837 2002 Qualified

# Grounding HYGROUND® Compression

**BURNDY®**

## TYPE YGA

### HYLUG™

### Grounding Irreversible Compression Terminals

Irreversible compression HYLUG™ ground terminal specifically designed for grounding applications. Each connector has an inspection probe hole to ensure proper cable insertion. UL467 Listed. Acceptable for direct burial in earth or concrete. UL486A Listed. Prefilled with PENETROX™ compound and strip sealed.

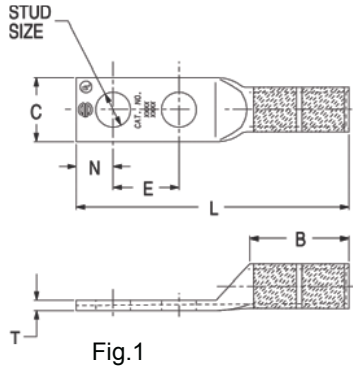


Fig.1

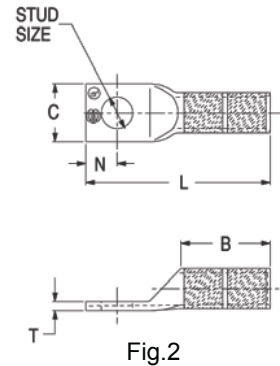


Fig.2

Catalog Number	Fig. #	Copper Conductor Size (Sol. & Str.)	Installation Tools, Die Set Cat. No. and (# of Crimps)			Stud Size	B	C	L	T	E
			Mechanical		Hydraulic						
			Y2MR	MD7-34R or OUR840	Y35/Y39/Y45① Y46②/Y750/PAT750						
YGA8C-TC10	2	8 Sol./8 Str.	Red (4)	W8CVT (2) X8CRT (2)	U8CRT (2)	#10	0.81	0.41	1.57	0.08	—
YGA8C-TC14	2	8 Sol./8 Str.	Red (4)	W8CVT (2) X8CRT (2)	U8CRT (2)	1/4	0.81	0.44	1.69	0.08	—
YGA8C-TC516	2	8 Sol./8 Str.	Red (4)	W8CVT (2) X8CRT (2)	U8CRT (2)	5/16	0.81	0.51	1.75	0.06	—
YGA8C-2N	1	8 Sol./8 Str.	Red (4)	W8CVT (2) X8CRT (2)	U8CRT (2)	1/2	0.78	0.83	4.09	0.12	1.75
YGA6C-TC10	2	6 Sol./6 Str.	Blue (4)	W5CVT (2) X5CRT (2)	U5CRT (2)	#10	1.12	0.42	1.89	0.09	—
YGA6C-TC14	2	6 Sol./6 Str.	Blue (4)	W5CVT (2) X5CRT (2)	U5CRT (2)	1/4	1.12	0.45	2.02	0.08	—
YGA6C-TC516	2	6 Sol./6 Str.	Blue (4)	W5CVT (2) X5CRT (2)	U5CRT (2)	5/16	1.12	0.51	2.08	0.07	—
YGA6C-2TC38E2G1	1	6 Sol./6 Str.	Blue (4)	W5CVT (2) X5CRT (2)	U5CRT (2)	3/8	1.12	0.58	3.42	0.06	0.75
YGA6C-2N	1	6 Sol./6 Str.	Blue (4)	W5CVT (2) X5CRT (2)	U5CRT (2)	1/2	1.09	0.83	4.40	0.12	1.75
YGA2C-2TC38	1	2 Sol./2 Str.	Brown (4)	W2CRT (2) X2CRT (2)	U2CRT (2)	3/8	1.25	0.60	3.48	0.12	1.00
YGA2C-2N	1	2 Str.	Brown (4)	W2CRT (2) X2CRT (2)	U2CRT (2)	1/2	1.22	0.83	4.71	0.12	1.75
YGA25-2N	1	1/0 Str.	—	W25VT (4) X25RT (4)	U25RT (2)	1/2	1.35	0.83	4.81	0.12	1.75
YGA26-2N	1	2/0 Str.	—	W26VT (4) X26RT (4)	U26RT (2)	1/2	1.45	0.81	4.97	0.12	1.75
YGA28-2N	1	4/0 Str.	—	W28VT (4) X28RT (4)	U28RT (2)	1/2	1.57	1.00	5.17	0.14	1.75
YGA29-2N	1	250 kcmil	—	W29VT (4)	U29RT (2)	1/2	1.57	1.09	5.21	0.16	1.75
YGA34-2N	1	500 kcmil	—	W34VT (4)	U34RT (4)	1/2	2.20	1.52	6.08	0.23	1.75

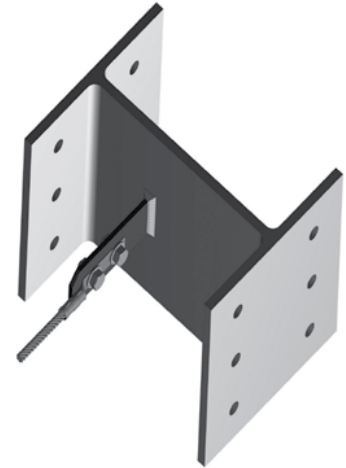
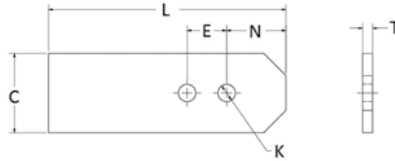
① Where a "U" or "PU" die is recommended with the Y45 HYPRESS™, a PT6515 adapter must be used

② Where a "U" or "PU" die is recommended with the Y46 HYPRESS™, a PUADP-1 adapter must be used

**TYPE GROUND TAB**

**For any metal structure requiring grounding**

The BURNDY® GROUND TAB offers a convenient attachment point for terminations of ground wires to steel structures or steel supports. The tabs are easily welded to steel, with two mounting pattern options available. The tabs are made of steel, 1/4" thick, and can be used to attach 1-hole or 2-hole terminals. Compression terminals, mechanical terminals, or SERVIT® Posts can be used to attach ground wires to steel tabs. All connection options and necessary hardware are sold separately. Often used when traditional connection methods are not practical, or when temporary grounds are required. Common applications include large generators, mobile construction site modules, housing structures built in permafrost areas, and in any metal structure requiring a permanent or temporary ground option.



**Features & Benefits**

- Convenient
- Can be used to attach 1-hole or 2-hole terminals
- 1/4" thick steel
- Easily welds to steel
- Many connection options
- Used when traditional options are not practical

*Above: GROUND TAB with Type YGA HYGROUND® compression terminal and hardware.*

Catalog Number	L Inches	C Inches	T Inches	N Inches	No. of Holes	Hole Size (K)	Hole Spacing (E) Inches
GROUND TAB1/2	6.00	2.00	1/4"	1.50	2	1/2"	1.75
GROUND TAB3/8	6.00	2.00	1/4"	1.50	2	3/8"	1.00



*Right: Application image of GROUND TAB used with terminals*

# Grounding HYGROUND® Compression

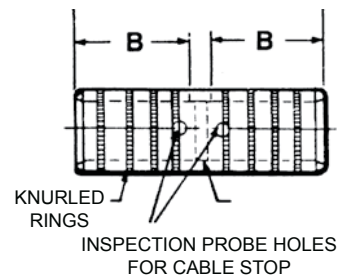
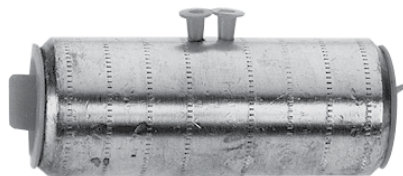
BURNDY®

## TYPE YGHS

### HYLINK™

#### Heavy Duty Irreversible Compression Splices

Heavy duty HYLINK™ ground splice designed not only to carry short circuit load, but to also withstand high mechanical stress. Each conductor element has an inspection probe hole and a center stop to ensure proper cable insertion. UL467 Listed. Acceptable for direct burial in earth or concrete. UL486A Listed. Prefilled with PENETROX™ compound and strip sealed.



IEEE-837



Catalog Number	Copper Conductor Size	Installation Tools, Die Set Catalog Number and (# of Crimps) HYPRESS™ Y35/Y39/Y45 ①/Y46 ②/Y750/PAT750	B	L
YGHS2C	2 AWG	U1CRT (1)	0.75	1.73
YGHS25	1/0 AWG	U27RT (1)	0.83	1.89
YGHS26	2/0 AWG	U28RT (1)	0.83	1.89
YGHS27	3/0 AWG	U29RT (1)	1.18	2.59
YGHS28	4/0 AWG	U30RT (2)	1.18	2.59
YGHS29	250 kcmil	U31RT (2)	1.18	2.59
YGHS31*	350 kcmil	U34RT (2)	1.18	2.59
YGHS34	500 kcmil	U36RT (3)	1.48	3.19

① Where a "U" or "PU" die is recommended with the Y45 HYPRESS™, a PT6515 adapter must be used

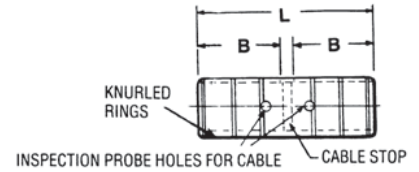
② Where a "U" or "PU" die is recommended with the Y46 HYPRESS™, a PUADP-1 adapter must be used

\* IEEE837 2002 Qualified

**TYPE YGS**

**HYLINK™**

**Grounding Irreversible Compression  
Splices**



Irreversible compression HYLINK™ ground splices specifically designed for grounding applications. Each conductor element has an inspection probe hole and a center stop to ensure proper cable insertion. UL467 Listed. Acceptable for direct burial in earth or concrete. UL486A Listed. Prefilled with PENETROX™ E compound and strip sealed.



Catalog Number	Copper Conductor Size	Installation Tools, Die Set Catalog Number and (# of Crimps)				B	L
		Mechanical		Hydraulic			
		Y1MRTC	MD7-34R	OUR840	Y35/Y39/45①/Y46②/ Y750/PAT750		
YGS8C	8 Sol./Str.	Red (2)	W8CRT, W8CVT	X8CRT	U8CRT (2)	0.78	1.75
YGS6C	6 Sol./Str.	Blue (2)	W5CRT, W5CVT	X5CRT	U6CRT (2)	1.09	2.38
YGS2C	2 Sol./Str.	Brown (4)	W2CVT (2)	X2CVT (2)	U2CRT (2)	1.22	2.67
YGS25	1/0 Sol./Str.	—	W25VT (4)	X25RT (4)	U25RT (2)	1.35	2.97
YGS26	2/0 Str.	—	W26VT (4)	X26RT (4)	U26RT (2)	1.45	3.13
YGS28	4/0 Str.	—	W28VT (4)	X28RT (4)	U28RT (2)	1.57	3.37
YGS29	250 kcmil	—	W29VT (4)	—	U29RT (2)	1.57	3.37
YGS34	500 kcmil	—	W34VT (4)	—	U34RT (4)	2.20	4.63

① Where a "U" or "PU" die is recommended with the Y45 HYPRESS™, a PT6515 adapter must be used  
 ② Where a "U" or "PU" die is recommended with the Y46 HYPRESS™, a PUADP-1 adapter must be used

# Grounding HYGROUND® Compression

BURNDY®

## TYPE YGF

### GROUNDING PLATE

The irreversible compression ground plate is designed to withstand the rigors of concrete construction. The ground plates are made of high strength, high-conductivity cast copper alloy body with a pure wrought copper compression element. In addition to the tapped NEMA size holes and spacing on the face, the plate comes with a tapped hole on the underside for ease of positioning prior to pouring the concrete. UL467 Listed. Acceptable for direct burial in earth or concrete. Prefilled with PENETROX™ compound and strip sealed.



IEEE-837\*

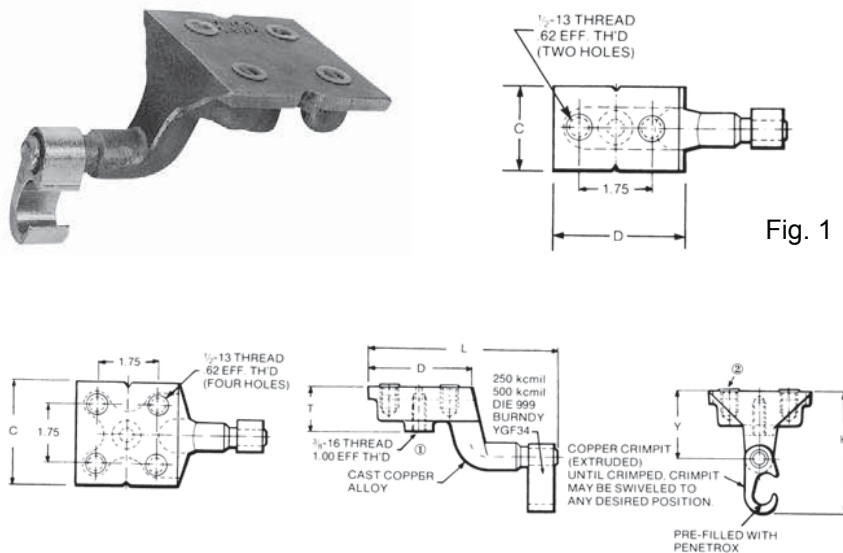


Fig. 2

#### NOTES:

- ① This tapped hole may be used to position the grounding plate on a threaded rod prior to placement of the concrete. 3/8-16 thread with 1.00 EFF. Thread is standard. If other thread is required, add appropriate suffix code to catalog number. -50 (1/2-13, .94 EFF. Thread), -62 (5/8-11, .94 EFF. Thread) and -75 (3/4-10, .81 EFF. Thread) Example: YGF34-4N-50 is YGF34-4N with 1/2-13 Thread
- ② Plastic plugs are provided to keep dirt out of the threaded holes until the attachment of grounding terminals

Catalog Number	Fig. #	C	D	H	L	T	Y	Copper Conductor Range	Tapped Holes		Installation Tools, Die Set Cat. No., and (# of Crimps)		
									Size	Hole Centers	HYPRESS™		
											PAT750/ Y750/Y35/ Y39	Y45 ①	Y46 ②
YGF29-2N	1	2.00	3.25	3.62	5.78	1.31	2.00	2 AWG-250 kcmil	1/2 - 13	1-3/4	U997 (1)	U997 (1)	U997 (1)
YGF29-4N	2	3.25	3.25	3.62	5.78	1.31	2.00	2 AWG-250 kcmil	1/2 - 13	1-3/4	U997 (1)	U997 (1)	U997 (1)
YGF34-2N ③	1	2.00	3.25	4.62	5.40	1.31	2.19	250 kcmil-500 kcmil	1/2 - 13	1-3/4	U1011 (3)	S1011 (2)	P1011 (2)
YGF34-4N ③	2	3.75	3.75	4.62	5.90	1.31	2.19	250 kcmil-500 kcmil	1/2 - 13	1-3/4	U1011 (3)	S1011 (2)	P1011 (2)

① Where a "U" or "PU" die is recommended with the Y45 HYPRESS™, a PT6515 adapter must be used

② Where a "U" or "PU" die is recommended with the Y46 HYPRESS™, a PUADP-1 adapter must be used

③ These connectors can only be installed using the Y750, Y45 or Y46 HYPRESS™ with recommended dies, they cannot be installed with the Y35 or Y39 HYPRESS™

\*Please contact Customer Service for applications requiring IEEE-837 2014.

**TYPE YGIB**

**GROUNDLINK™**

An irreversible compression ground connection which allows attachment to a structural steel standard (angled) or wide flange (parallel) beam. Installed with a required 5-piece die set, Catalog PIBEAMKIT or UIBEAMKIT. Die index 1105. GROUNDLINK™ connectors are made of high-conductivity wrought copper and come pre-filled with PENETROX™ E compound and strip sealed. Order terminal mounting hardware separately.



**IEEE-837\***

Connector shipped with thread protection studs only. Order TMHG kits separately.

**NOTES:**

Terminal connector to be ordered separately. When I-beam connector is used with type YGHA terminal, the connection meets IEEE 837. YGA-2N, YA-2N and other BURNDY® 2-hole NEMA copper terminals are suitable.

Order TMHG Terminal Mounting Hardware Kit separately. Kit consists of 2 studs, 2 flat washers, 2 lockwashers and 2 hex nuts.

Using the 1/4 hex key wrench, screw the stud into the connector until stud bottoms out in connector. Install a YGHA terminal, flat washer, lockwasher and hex nut onto stud. Tighten and torque to 480 pound-inches.

Dimensions shown in i-Beam Flange Thickness column reflect the minimum dimensions required on a beam to property install the i-Beam connector.

To correctly determine the appropriate YGIB connector to use based on flange thickness, order either YGIBGAUGE1 or YGIBKIT1 (KIT1 contains wiremike).

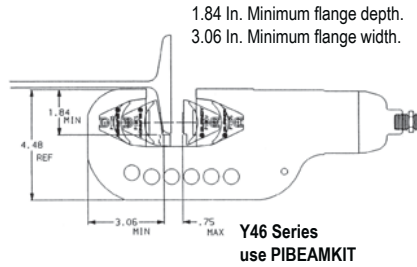


Fig. 1

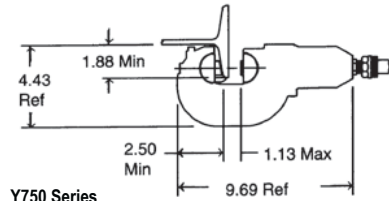
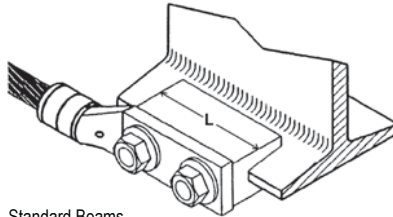
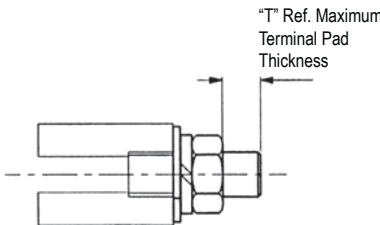
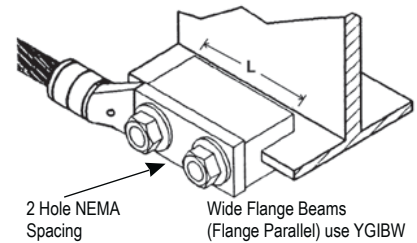


Fig. 2



**TERMINAL MOUNTING HARDWARE**

Catalog Number	"T"
<b>TMHG-42</b>	0.42
<b>TMHG-92</b>	0.92

**NOTE:** Use TMHG-92 to double stack lugs.

\*Please contact Customer Service for applications requiring IEEE-837 2014.

## TYPE YGIB

### GROUNDLINK™ CONNECTOR

(Continued)

Catalog Number	Copper Conductor Size	Fig. #	L	J	I-Beam Flange Thickness	Suggested Terminals		T	
						Copper Conductor	Terminal		
YGIBS28-338-2N	2 AWG-4/0 AWG	1	3.00	1/2-13	0.250" - 0.338"	#2 Str. AWG	YGHA2C-2N	0.26	
						1/0 Str. AWG	YGHA25-2N	0.19	
YGIBW28-338-2N	2 AWG-4/0 AWG	2	3.00	1/2-13			2/0 Str. AWG	YGHA26-2N	0.26
							4/0 Str. AWG	YGHA28-2N	0.30
YGIBS34-338-2N	250 kcmil-500 kcmil	1	6.00	1/2-13			250 kcmil	YGHA29-2N	0.34 0.40
YGIBW34-338-2N	250 kcmil-500 kcmil	2	6.00	1/2-13			500 kcmil	YGHA34-2N	0.34 0.40
YGIBS28-400-2N	2 AWG-4/0 AWG	1	3.00	1/2-13	0.338" - 0.400"	#2 Str. AWG	YGHA2C-2N	0.26	
						1/0 Str. AWG	YGHA25-2N	0.19	
YGIBW28-400-2N	2 AWG-4/0 AWG	2	3.00	1/2-13			2/0 Str. AWG	YGHA26-2N	0.26
							4/0 Str. AWG	YGHA28-2N	0.30
YGIBS34-400-2N	250 kcmil-500 kcmil	1	6.00	1/2-13			250 kcmil	YGHA29-2N	0.34 0.40
YGIBW34-400-2N	250 kcmil-500 kcmil	2	6.00	1/2-13			500 kcmil	YGHA34-2N	0.34 0.40
YGIBS28-462-2N	2 AWG-4/0 AWG	1	3.00	1/2-13	0.400" - 0.462"	#2 Str. AWG	YGHA2C-2N	0.26	
						1/0 Str. AWG	YGHA25-2N	0.19	
YGIBW28-462-2N	2 AWG-4/0 AWG	2	3.00	1/2-13			2/0 Str. AWG 4/0 Str. AWG	YGHA26-2N YGHA28-2N	0.26 0.30
YGIBS34-462-2N	250 kcmil-500 kcmil	1	6.00	1/2-13			250 kcmil	YGHA29-2N	0.34 0.40
YGIBW34-462-2N	250 kcmil-500 kcmil	2	6.00	1/2-13			500 kcmil	YGHA34-2N	0.34 0.40
YGIBS28-550-2N	2 AWG-4/0 AWG	1	3.00	1/2-13		0.462" - 0.550"	#2 Str. AWG	YGHA2C-2N	0.26
					1/0 Str. AWG		YGHA25-2N	0.19	
YGIBW28-550-2N	2 AWG-4/0 AWG	2	3.00	1/2-13			2/0 Str. AWG 4/0 Str. AWG	YGHA26-2N YGHA28-2N	0.26 0.30
YGIBS34-550-2N	250 kcmil-500 kcmil	1	6.00	1/2-13			250 kcmil	YGHA29-2N	0.34 0.40
YGIBW34-550-2N	250 kcmil-500 kcmil	2	6.00	1/2-13			500 kcmil	YGHA34-2N	0.34 0.40
YGIBS28-613-2N	2 AWG-4/0 AWG	1	3.00	1/2-13	0.550" - 0.613"		#2 Str. AWG	YGHA2C-2N	0.26
						1/0 Str. AWG	YGHA25-2N	0.19	
YGIBW28-613-2N	2 AWG-4/0 AWG	2	3.00	1/2-13			2/0 Str. AWG 4/0 Str. AWG	YGHA26-2N YGHA28-2N	0.26 0.30
YGIBW34-613-2N	250 kcmil-500 kcmil	2	6.00	1/2-13			500 kcmil	YGHA34-2N	0.34 0.40
YGIBS28-675-2N	2 AWG-4/0 AWG	1	3.00	1/2-13		0.613" - 0.675"	#2 Str. AWG	YGHA2C-2N	0.26
							1/0 Str. AWG	YGHA25-2N	0.19
YGIBW28-675-2N	2 AWG-4/0 AWG	2	3.00	1/2-13			2/0 Str. AWG 4/0 Str. AWG	YGHA26-2N YGHA28-2N	0.26 0.30
YGIBS34-675-2N	250 kcmil-500 kcmil	1	6.00	1/2-13			250 kcmil 500 kcmil	YGHA29-2N	0.34 0.40
YGIBW34-675-2N	250 kcmil-500 kcmil	2	6.00	1/2-13			500 kcmil	YGHA34-2N	0.34 0.40
YGIBW28-750-2N	2 AWG-4/0 AWG	3	3.00	1/2-13	0.690" - 0.750"		4/0 Str. AWG	YGHA28-2N	0.30
YGIBW28-1000-2N	2 AWG-4/0 AWG	3	3.00	1/2-13	1.000" - 1.060"	2/0 Str. AWG 4/0 Str. AWG	YGHA2C-2N YGHA28-2N	0.26 0.30	



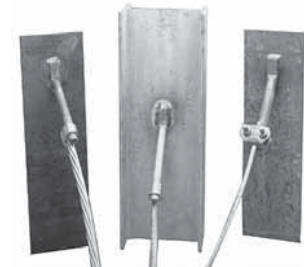
**TYPE GSTUD-HY**

**VERSITAIL™**

Structural Steel Grounding Connector

**INSTALLATION**

1. Weld the VERSITAIL™ to the steel member.
2. Select the proper connector for your specific application.



**FOR COMPRESSION CONNECTORS**

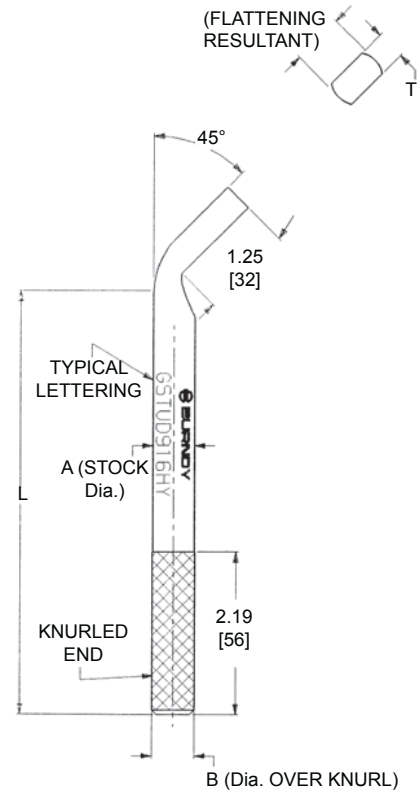
Select the proper BURNDY® "YGHP," connector. Clean the conductor, join the VERSITAIL™ and the grounding conductor together with the recommended tool and die set, then crimp the connector over the knurled area of the VERSITAIL™.

**FOR MECHANICAL CONNECTORS**

Select the properly sized BURNDY® connector. Clean the conductor, then apply PENETROX™ E oxide inhibiting compound on the contact area for increased effectiveness and service life. Put the connector over the knurled area of the VERSITAIL™ and apply the recommended torque value for correct installation.

**Features & Benefits**

- The VERSITAIL™ may be welded to steel surfaces quickly and easily with normal construction equipment.
- The VERSITAIL™ eliminates costly disk grinding and the need to expose virgin metal, the welding process burns through the oxidation and "scale" to establish excellent electrical grounding continuity.
- The VERSITAIL™ may be installed by the welder in the field or at the steel fabricator based on customer preference.
- The VERSITAIL™ pure copper coating over low carbon, hot rolled steel is compatible with standard welding processes, no toxic gasses are generated.
- The VERSITAIL™ knurled surface is copper plated and specifically designed to ensure excellent mechanical gripping and electrical integrity for BURNDY® compression and mechanical connectors in all grounding applications.
- The VERSITAIL™ may be installed during adverse weather conditions thus eliminating costly construction delays.
- Low installation cost.
- No drilling
- No cleaning
- No special preparation
- Low Carbon, hot rolled steel



Catalog Number	Nom Rod Size	A	B	L	T	Electrical Equivalent Copper Conductor Size (AWG)*
GSTUD14HY	1/4"	0.25	0.26	4.81	0.19	#6
GSTUD38HY	3/8"	0.38	0.39	5.81	0.25	#3
GSTUD916HY	9/16"	0.56	0.57	5.68	0.38	1/0
GSTUD34HY	3/4"	0.75	0.76	5.81	0.51	4/0

\* This is the equivalent rating for continuous service. Large conductors may be connected using both compression and bolted connectors in potential ground fault applications.

## TYPES YGT & YTTAG

### Static Grounding Receptacle

Type YGT static grounding receptacles are designed for static grounding of equipment. The receptacle is connected to the ground grid with HYGROUND® compression connectors and finished flush with surface to provide a permanent corrosion proof grounding point.



**Type YGT**  
Static Grounding Receptacle  
with Cover

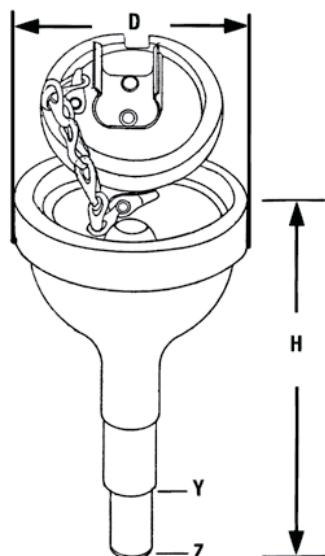


Fig. 1

**Type YTTAG Combination**  
Static Grounding Receptacle  
and Aircraft Tie Down Bar

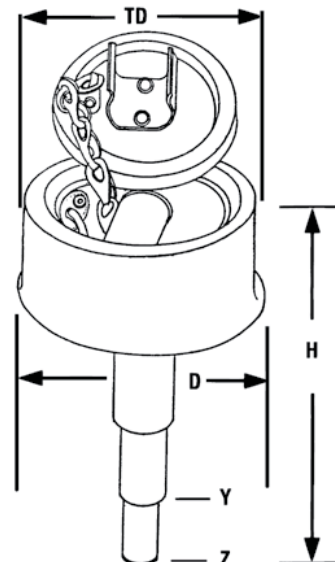


Fig. 2

Catalog Number	Fig. #	HYGROUND® Connector	H	D	Y Dia	Z Dia	TD
YGT275	1	Select suitable YGHR, YGHP or YGLR for 3/4" ground rod and sized to ground conductor.	5.50	2.75	0.75	0.56	-
YTTAG388	2		6.50	4.75	0.75	0.56	4.30

**NOTES:**

Install YGHR, YGHP or YGLR on Hub Y. Hub Z is inserted into 1/2" rigid conduit. The conduit is driven into the earth to provide support and provide correct level of receptacle prior to cement pour.

**TYPE YG-B**

**Connector for Structural Steel  
or Bus Bar**

The BURNDY® YG-B series of compression connectors are ideally suited for bus bar, cell tower structures, structural steel, and steel infrastructure such as equipment supports, steel railings and ladders.

These high conductivity copper connectors allow attachment of a ground conductor to structural steel, rail or bus bar, with just one crimp using a BURNDY® 750-style HYPRESS™ head. The exclusive design allows the user to attach tap conductor(s) to 1/8" to 9/16" thick rail, bus bar, or flat steel.

Most connectors are suitable for 1 or 2 conductors for power or grounding and bonding applications. Prefilled with PENETROX™ compound with the addition of a grit material and strip sealed.

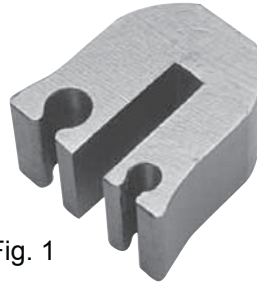


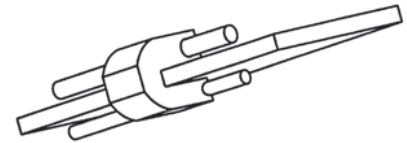
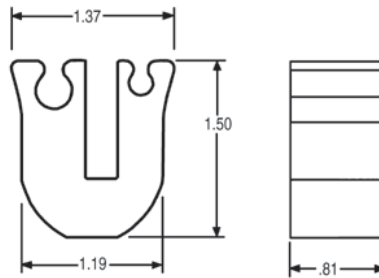
Fig. 1



Fig. 2



Fig. 3



Catalog Number	Figure #	Steel / Bar Thickness	Tap Conductor(s) Accommodated	Tooling	Installation Die	# of Crimps
YG14B2TC2C6C ①	1	1/4"	#2 Sol. and/or Str. Copper #6 Sol. and/or Str. Copper	PAT750, Y750	U1105	1
YG14B2TC2C2C ②	2	1/4"	#2 AWG - #2 AWG Copper	PAT750, Y750	U1105	1
YG14BTC28 ③	3	1/8" - 1/4"	4/0 AWG Str. to 1/0 AWG Str. Copper	PAT750, Y750	U1105	1
YG916BTC26 ④	3	1/2" - 9/16"	1/0 AWG Str. to 2/0 AWG Str. Copper	PAT750K	K1107	1

For Tin Plating add the -TP suffix.

- ① UL Listed, CSA Certified, Rated for Direct Burial; can accept 1 or 2 conductors
- ② U-shaped tap groove can only be used with #2 Solid wire; can accept 1 or 2 conductors; suitable for continuous uncut conductor applications
- ③ cULus listed, Rated for Direct Burial; can accept only 1 conductor
- ④ cULus listed, Rated for Direct Burial; can accept only 1 conductor; PAT750K style tool only may be used for installation

## MECHANICAL GROUNDING CONNECTORS

More than 60 years of technological innovation has made BURNDY® mechanical grounding connectors one of the most widely used, highly respected lines in the industry. There is virtually no grounding application problem that this diversified line cannot help solve.

All BURNDY mechanical grounding connectors have been designed for easy installation and for outstanding durability. Only the finest high copper alloys are used in their manufacture, ensuring top performance under the most extreme environmental conditions.

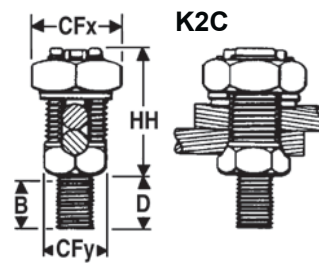
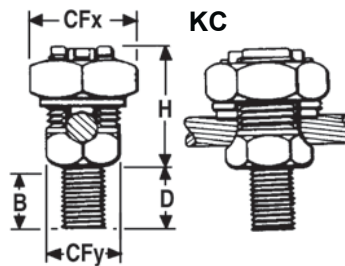
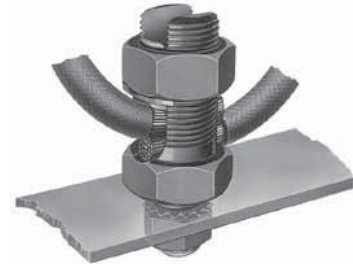
UL467 Listed for direct burial applications in earth or concrete.

### TYPES KC, K2C

#### SERVIT POST™

For Copper Cable to Flat

SERVIT POST™ used to ground one or two cables to steel structures, fence posts, transformers. Also used to tap one or two cables from bus bar. One-wrench installation.



TYPE KC One Wire	TYPE K2C One or Two Wires	Stranded	Solid	Stud Diameter	B	CFx	CFy	D	H	HH
KC15	K2C15	12 AWG-9 AWG	12 AWG-8 AWG	1/4-20	3/8	1/2	3/8	1/2	5/8	7/8
KC15B1	K2C15B1	12 AWG-9 AWG	12 AWG-8 AWG	1/4-20	7/8	1/2	3/8	1	5/8	7/8
KC17	K2C17	10 AWG-7 AWG	10 AWG-6 AWG	1/4-20	3/8	5/8	7/16	1/2	7/8	1
KC17B1	K2C17B1	10 AWG-7 AWG	10 AWG-6 AWG	1/4-20	7/8	5/8	7/16	1	7/8	1
KC20	K2C20	10 AWG-5 AWG	10 AWG-4 AWG	5/16-18	13/32	11/16	1/2	5/8	7/8	1-1/8
KC20B1	K2C20B1	10 AWG-5 AWG	10 AWG-4 AWG	5/16-18	27/32	11/16	1/2	1	7/8	1-1/8
KC22	K2C22	10 AWG-3 AWG	10 AWG-2 AWG	3/8-16	15/32	3/4	5/8	5/8	1	1-1/4
KC22B1	K2C22B1	10 AWG-3 AWG	10 AWG-2 AWG	3/8-16	31/32	3/4	5/8	1-1/8	1	1-1/4
KC23	K2C23	8 AWG-2 AWG	10 AWG-1 AWG	3/8-16	15/32	13/16	5/8	5/8	1	1-3/8
KC23B1	K2C23B1	8 AWG-2 AWG	10 AWG-1 AWG	3/8-16	31/32	13/16	5/8	1-1/8	1	1-3/8
KC25	K2C25	2 AWG-1/0 AWG	2 AWG-2/0 AWG	1/2-13	9/16	15/16	3/4	3/4	1-1/8	1-5/8
KC25B1	K2C25B1	2 AWG-1/0 AWG	2 AWG-2/0 AWG	1/2-13	1-1/16	15/16	3/4	1-1/4	1-1/8	1-5/8
KC26	K2C26	2 AWG-2/0 AWG	2 AWG-3/0 AWG	1/2-13	17/32	1	7/8	3/4	1-3/8	1-7/8
KC26B1	K2C26B1	2 AWG-2/0 AWG	2 AWG-3/0 AWG	1/2-13	1-1/16	1	7/8	1-1/4	1-3/8	1-7/8
KC28	K2C28	1 AWG-4/0 AWG	1 AWG-4/0 AWG	5/8-11	3/4	1-1/2	1-3/16	1	1-3/4	2-1/4
KC28B1	K2C28B1	1 AWG-4/0 AWG	1 AWG-4/0 AWG	5/8-11	1-1/4	1-1/2	1-3/16	1-1/2	1-3/4	2-1/4
—	K2C28G3	1 AWG-4/0 AWG	1 AWG-4/0 AWG	1/2-13	1-1/4	1-1/2	1-3/16	1-1/2	1-3/4	2-1/4
KC31	K2C31	1 AWG-350 kcmil	N/A	5/8-11	3/4	1-11/16	1-3/8	1	2-1/4	2-7/8
KC31B1	K2C31B1	1 AWG-350 kcmil	N/A	5/8-11	1-1/4	1-11/16	1-3/8	1-1/2	2-1/4	2-7/8
KC34	K2C34	3/0 AWG-500 kcmil	N/A	3/4-10	1	2	1-5/8	1-1/4	2-3/8	3-1/4
KC34B1	K2C34B1	3/0 AWG-500 kcmil	N/A	3/4-10	1-1/2	2	1-5/8	1-3/4	2-3/8	3-1/4

NOTE:

\*\* Not UL 467 rated

Add "-NSP" suffix to catalog numbers to have connector supplied with split lockwasher and nut.

**TYPE SB**

**HandyBug™ Connector**

Tap, Splice or Terminate

The HandyBug™ connector is an “all-in-one” electrical connector that can be used for dozens of different power or grounding connection applications. This new connector is the “survival tool” of electrical connections and can be used as a splice, tap, terminal, wire to pipe, wire to busbar, and many other options. The HandyBug™ incorporates the features and benefits of dozens of different products. Available in two sizes, these connectors accommodate from #8 AWG Solid to 1/0 AWG Stranded.

Ideal for emergency repairs, maintenance crews and technicians, and an essential part of every electrician’s basic supplies. cULus Listed. Acceptable for direct burial in earth and concrete.

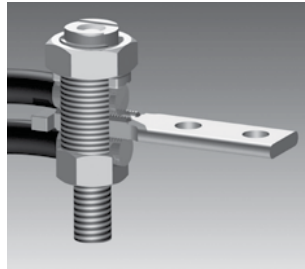


**Features & Benefits**

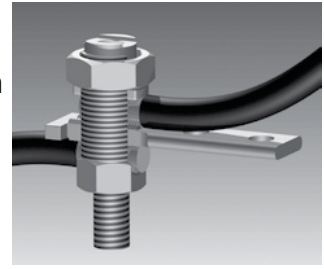
- Power or Grounding and Bonding Applications
- Can be used to terminate wires to bus bars or steel
- Can be used for splicing and tap connections
- No special tooling required
- UL Listed for the US and Canadian markets (cULus: UL467 & UL486A/B)
- Rated for Direct Burial
- Tin plated
- Industry standard mounting hole configurations



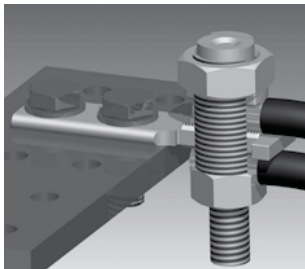
Traditional Split Bolt Option



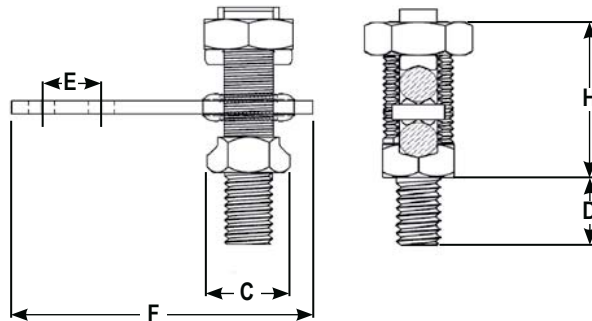
Splice Connection



Terminate 1 or 2 Wires



Wire to Pipe or Steel



Catalog Number	Stranded	Solid	Stud Diameter	C	H	D	E	F
SB232TC14	8 AWG - 2 AWG	8 AWG - 2 AWG	3/8 - 16	0.72 [18]	1.44 [37]	0.63 [16]	0.63	2.84
SB232TC38	8 AWG - 2 AWG	8 AWG - 2 AWG	3/8 - 16	0.72 [18]	1.44 [37]	0.63 [16]	1.00	2.84
SB23U*	8 AWG - 2 AWG	8 AWG - 2 AWG	3/8 - 16	0.72 [18]	1.44 [37]	0.63 [16]	N/A	2.84
SB252TC14	2 AWG - 1/0 AWG	2 AWG - 1/0 AWG	1/2 - 13	0.87 [22]	1.68 [43]	0.75 [19]	0.63	3.15
SB252TC38	2 AWG - 1/0 AWG	2 AWG - 1/0 AWG	1/2 - 13	0.87 [22]	1.68 [43]	0.75 [19]	1.00	3.15
SB25U*	2 AWG - 1/0 AWG	2 AWG - 1/0 AWG	1/2 - 13	0.87 [22]	1.68 [43]	0.75 [19]	N/A	3.15

\* Suffix U denotes undrilled version, not cULus Listed.

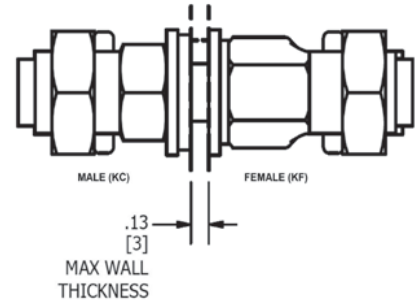
## TYPE KCKF

### Bulkhead Ground Connector

The "Bulkhead" connector is designed to allow a ground wire to be connected from the inside of a box or enclosure to the outside of a box or enclosure.

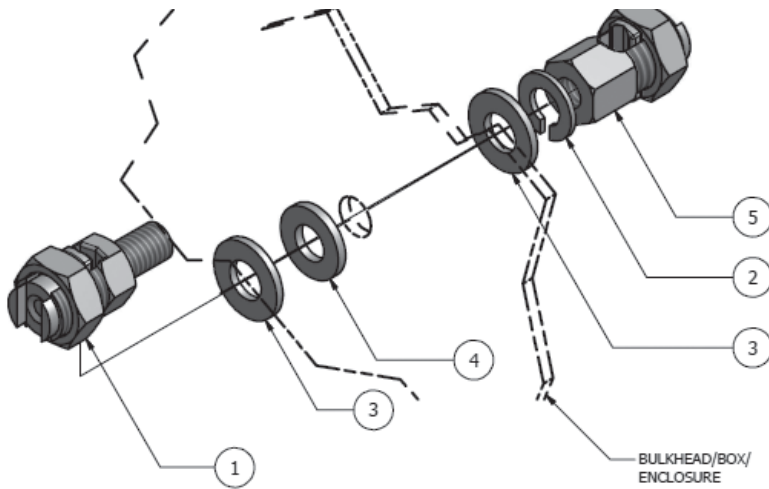
This new connector is supplied in kit form with a male SERVIT POST™, female SERVIT®, (2) stainless steel washers, split lock washer and sealing washer.

The available "Application Guideline" document helps describe the application with visuals and installation examples.



### Features & Benefits

- Provides an easy way to connect ground wires "through" an enclosure wall
- Includes Male SERVIT POST™, Female SERVIT®, (2) Stainless Steel Washers, Split Lock Washer, Sealing Washer
- Split Lock Washer allows adjustment of conductor orientation
- Made of Silicon Bronze material (connectors) and Stainless Steel Hardware, Sealing Washer
- Meets NEMA 4X requirements when installed correctly
- Application Guideline document available
- Industry proven split bolt/SERVIT POST™ technology



	Qty	Description
1	1	Male Servit Post
2	1	Stainless Steel Split Lock Washer*
3	2	Stainless Steel Flat Washer*
4	1	Sealing Washer*
5	1	Female SERVIT®

\*One flat washer and sealing washer to be installed on outside of box or, where applicable, to side of wall exposed to atmospheric or contaminated conditions. Remaining hardware to be mounted to opposite side of the wall as shown.

Catalog Number	ACCOMMODATES			NUT TORQUE IN-LBS [N-M]	MAX. THRU HOLE
	AWG		METRIC		
	STRANDED	SOLID	STRANDED		
KCKF23	#8 (.146) - #2 (.292)	#10 (.102) - #1 (.289)	10mm <sup>2</sup> (4.1) - 35mm <sup>2</sup> (6.5)	275 [31.1]	7/16
KCKF25	#2 (.292) - 1/0 (.373)	#2 (.258) - 2/0 (.365)	35mm <sup>2</sup> (6.5) - 50mm <sup>2</sup> (9.3)	385 [43.5]	9/16
KCKF28	#1 (.332) - 4/0 (.528)	#1 (.289) - 4/0 (.460)	50mm <sup>2</sup> (9.3) - 95mm <sup>2</sup> (12.8)	500 [56.5]	1 1/16

#### Notes:

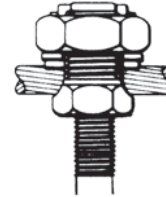
- Dimensions in ( ) are cable diameters.
- Diameters of AWG wires are in inches.
- Diameters for metric wires are given in mm.

**TYPES KC-J12, EQC632C**

**Transformer Ground Connectors**

For Copper

Fits all standard EEI-NEMA distribution transformers as tank grounding terminal.



1/2-13  
stud size

Type KC22B2

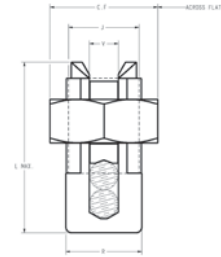
Catalog Number	Ranges
KC22J12T13	8 Sol. - 2 Sol.
KC26	2 Sol. - 2/0 Str.
KC34J12T13	3/0 - 500 Str.
EQC632C	8 Sol. - 2 Str.

**TYPE KS**

**SERVIT®**

For Copper

UL467 Listed for direct burial applications in earth or concrete. Compact, highstrength, high copper alloy SERVIT® split-bolt has free-running threads and easy to grip wrench flats. Highly resistant to cracking and corrosion.



Catalog Number	Cross Flats	L	W	Copper Conductor Range	Rebar with (1) #8 Sol. Cu	Recommended Tightening Torque (in-lb)
KS15	0.50	0.85	0.38	10 - 8 Str.	14 Str.	80
KS17	0.63	1.14	0.45	8 Str. - 6 Sol.	14 Str.	165
KS20	0.69	1.20	0.51	8 Str. - 4 Sol.	14 Str.	165
KS22	0.75	1.50	0.60	6 Str. - 2 Sol.	14 Str.	275
KS23	0.82	1.54	0.62	6 Str. - 2 Str.	14 Str.	275
KS25	0.94	1.77	0.73	4 Str. - 1/0 Str.	14 Str.	385
KS26	1.05	1.94	0.82	2 Str. - 2/0 Str.	14 Str.	385
KS27	1.36	1.86	1.17	1 Str. - 3/0 Str.	8 Sol.	500
KS29	1.36	2.07	1.17	1 Str. - 250	8 Str.	650
KS31	1.70	2.51	1.41	1/0 Str. - 350	1/0 Str.	650
KS34	1.82	2.79	1.48	2/0 Str. - 500	2/0 Str.	825

## TYPE FFG

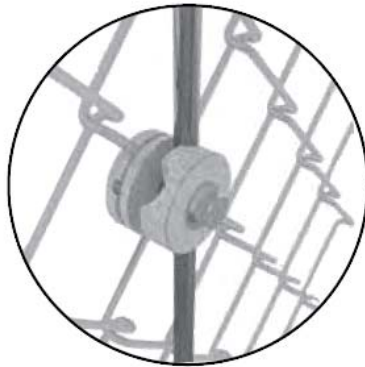
### Fence Fabric Ground Clamps

Fence grounding systems are designed to provide protection against dangerous “touch” potentials. The Fence Fabric Ground Clamp is an integral component of this personnel safety system.

With its unique design the clamp can form a connection at virtually any angle. Specific uses include connection to both fence fabric and barbed wire. The conductor maintains a path to ground while connected to an object that is parallel, perpendicular or any degree in between.

Electroplated tinned brass clamp includes stainless steel hardware and allows for use on most metallic surfaces including galvanized steel. Other sizes available; please contact factory for information.

Listed to UL 467 and UL96\*

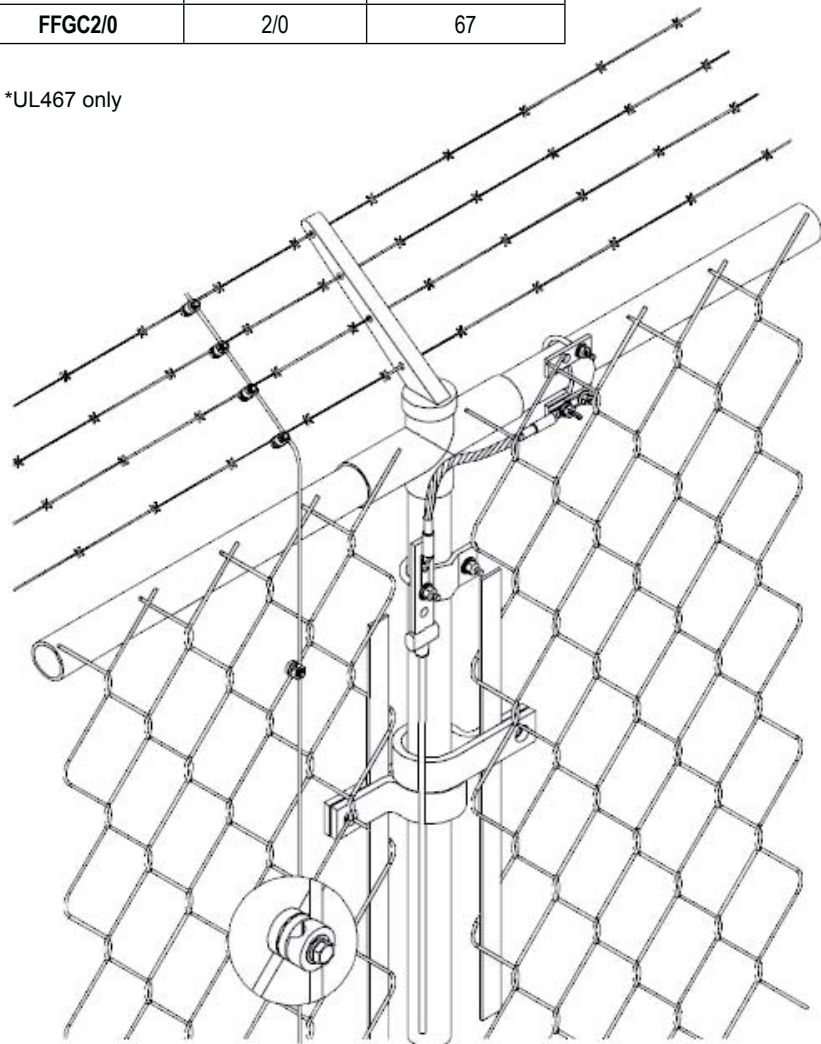


### Features & Benefits

- Clamp can form connections at virtually any angle
- Electroplated tinned brass clamp includes stainless steel hardware
- For use with most metallic surfaces including galvanized
- Conductor maintains path to ground while connected to object that is parallel, perpendicular or any degree in between
- Other sizes available; contact the factory for more information

Catalog Number	Conductor Size	Recommended Torque (in-lb)
FFGC8*	#8	67
FFGC6	#6	67
FFGC4	#4	67
FFGC2	#2	67
FFGC2/0	2/0	67

\*UL467 only

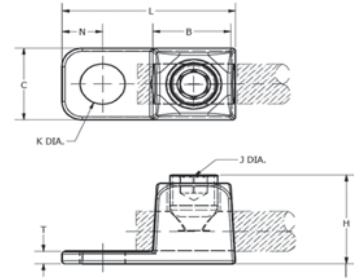




**TYPE GKA**

For Copper

UL467 Listed for direct burial applications in earth or concrete. One-piece body construction insures mechanical integrity in an underground environment. Supplied with stainless steel headless screw, the GKA25SB and GKA28SB have silicon bronze hardware.



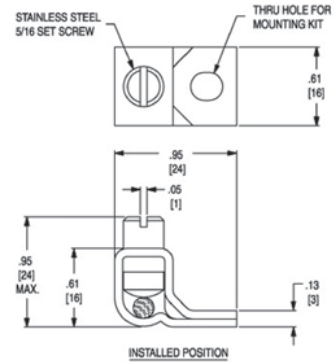
Catalog Number	Cable Range	B	C	H	J Dia.	K	L
<b>GKA8C*</b>	10 AWG-8 AWG	0.31	0.38	0.58	#12-24 (Slot)	0.21	0.81
<b>GKA4C*</b>	14 AWG-4 AWG	0.46	0.54	0.71	5/16-24 (Slot)	0.28	1.13
<b>GKA25</b>	4 AWG-1/0 AWG	0.69	0.75	0.94	1/2-20 (Hex)	0.42	1.69
<b>GKA28</b>	1 AWG-4/0 AWG	0.81	0.94	1.25	5/8-18 (Hex)	0.42	1.94
<b>GKA25SB</b>	4 AWG-1/0 AWG	0.69	0.75	0.94	1/2-20 (Hex)	0.42	1.69
<b>GKA28SB</b>	1 AWG-4/0 AWG	0.81	0.94	1.25	5/8-18 (Hex)	0.42	1.94

\* GKA8C, GKA4C are cULus Listed.

**TYPE KPB**

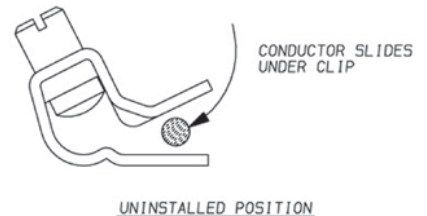
For Copper

UL467 Listed for direct burial in earth or concrete. UL486 listed. This exclusive BURNDY® design accommodates #10 - #4 copper where continuous conductor runs are preferable.



Catalog Number	Copper Cable Range	Stud Hole
<b>KPB4CG1①</b>	10 AWG-4 AWG	#10

① Can be assembled with optional TMH322SS stainless steel hardware kit, ordered separately.

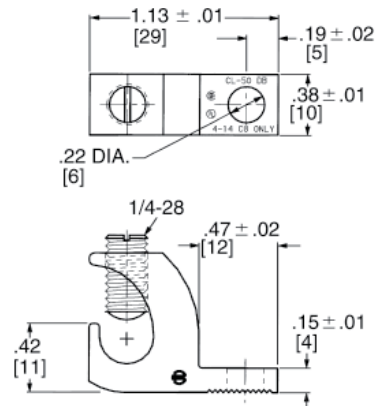
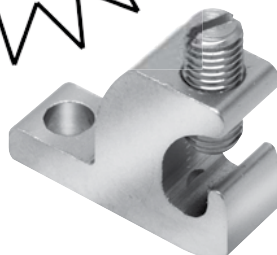


## TYPES CL50-1 & CL50-1TN

### COPPER LAY-IN QIKLUG™

For Copper

The Lay-In QIKLUG™ is manufactured from high strength pure electrolytic copper to ensure maximum strength and conductivity. UL467 Listed for direct burial in earth or concrete. The open-faced design allows for fast lay-in of the conductor without the need for cutting or breaking. Stainless steel screws used for excellent corrosion resistance.



Catalog Number	Conductor Range	Stud Hole	Recommended Torque by Wire Size	
CL50-1	14 AWG-4 AWG	#10	14-10 AWG	20 in-lb
CL50-1TN*	14 AWG-4 AWG	#10	8 AWG	25 in-lb
CL50-1TN BULK*	14 AWG-4 AWG	#10	6-4 AWG	35 in-lb

\* CL501-TN & CL50-1TNBULK Listed to both UL2703 for Solar Applications and UL467 for direct burial.

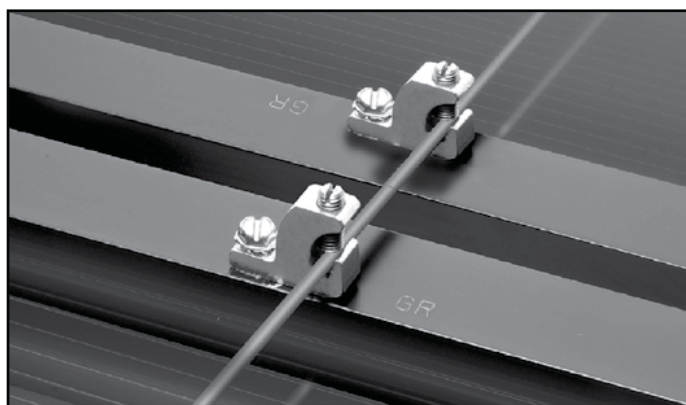


Photo above shows a typical solar panel installation using CL50-1TN connectors.

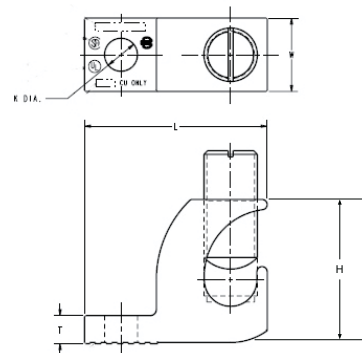
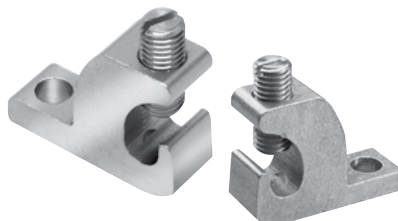


## TYPE CL

### COPPER LAY-IN QIKLUG™

FOR COPPER

Manufactured for maximum strength and conductivity, these lay-in lugs allow for continuous runs of conductor and are well suited as terminations as well. Tin-plated, set screw style connectors, three sizes cover a range from #14 AWG to 250 kcmil.



CL3/0-516TN and CL250-516TN are UL 486A-B Wire Connectors and CSA Certified. CL1/0-14TN UL Listed for grounding and CSA Certified. 90° C rated. Suitable for copper conductors only.



Catalog Number	Wire Range Copper	H	W	L	T	K Dia.	Hex Size
CL1/0-14TN	#14 - 1/0 AWG	1.17	0.60	1.50	0.22	0.27	7/16-20 (Slotted)
CL3/0-516TN	#6 - 3/0 AWG	1.56	0.80	2.00	0.30	0.33	9/16-18 (0.25 Hex)
CL250-516TN	#6 AWG - 250 kcmil	1.79	0.80	2.20	0.30	0.33	9/16-18 (0.25 Hex)

**TYPE BGBS**

**Aluminum Lay-in lug for solar and other grounding applications**

The new aluminum lay-in lugs BGBS series are suitable for solar panel and other grounding applications. The connectors are used with frames or solar panels, with a maximum thickness of 1/4 inch. They are also suitable for cable to bus or cable to steel connections, where the lay-in feature is necessary.

BGBS (BURNDY Grounding and Bonding lugs for Solar and other applications) Lay-in lugs are Listed for grounding and bonding per UL467 and CSA C22.2 No. 41; also for use with Photovoltaic Modules per UL2703 . They can be used with copper and aluminum cables. The connectors are also available in bulk.

**Features & Benefits**

- Made of high strength aluminum alloy
- Electro-Tin plated
- Stainless Steel hardware
- Lay-in feature
- Conductor size Copper:
  - 14 AWG - 6 AWG STR./SOL.
- Conductor size Aluminum:
  - 12 AWG - 6 AWG STR./SOL.
- Cup point screw that penetrates the anodization on rails
- Serrations in conductor wire way cuts through oxidation
- Suitable for applications up to 1/4 inch thick solar panels
- Listed for Grounding and Bonding per UL467 and CSA C22.2 No. 41
- Listed for use with Photovoltaic Modules & Panels per UL2703



**BGBS4**



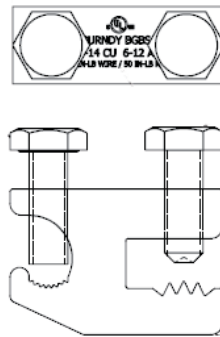
**BGBS5**



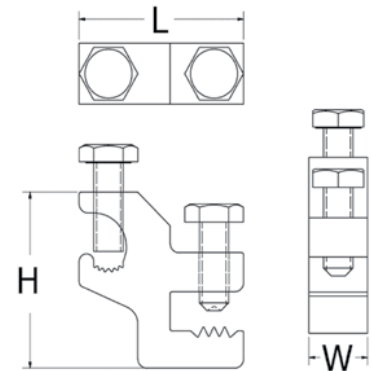
Grounding and Bonding Equipment



Photovoltaic Ground Lugs



**Fig. 1**



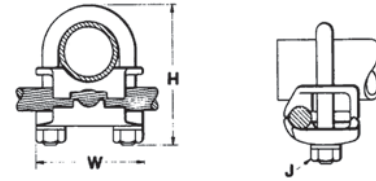
**Fig. 2**

Catalog Number	Conductor Size - Copper	Conductor Size - Aluminum	Fig.	L	W	H	Bulk Catalog No.	Recommended Torque (in-lbs)
<b>BGBS4</b>	14 - 6 AWG	12 - 6 AWG	1	1.38	0.50	0.94	<b>BGBS4BULK</b>	6-14: 35 in-lbs
<b>BGBS5</b>	STR./SOL.	STR./SOL.	2	1.40	0.50	1.44	<b>BGBS5BULK</b>	6-12: 50 in-lbs

## TYPE GAR

For Parallel or 90° Copper Cable Connection to Rod or Pipe with the Same Connector

High copper alloy ground connector for joining a range of cable, parallel or at right angles to rod or tube. Especially good for fence posts. High copper alloy cast body with DURIMUM™ U-bolts, nuts and lockwashers, permit entire connection to be buried in ground or concrete without danger of corrosion.



### Features & Benefits

- Wire to Rebar
- Fence Post Grounding Connector
- Wire to Pipe
- One-wrench installation
- UL467 Listed
- Acceptable for direct burial



Wire at Right Angle to Pipe



Wire Parallel to Pipe



Catalog Number	Conductor				H	J	W
	Tube I.P.S.*	Rod Size or O.D. Range	Rebar Size	Cable Range			
<b>GAR114C</b>	1/4	1/2	—	8 Sol. - 4 Str.	2-1/2	3/8	1-7/8
<b>GAR1126</b>	1/4	1/2	—	4 Sol. - 2/0 Str.	2-1/2	3/8	1-7/8
<b>GAR1129</b>	1/4	1/2	—	2/0 Sol. - 250	2-1/2	3/8	1-7/8
<b>GAR644C</b>	3/8	5/8 - 3/4	5 - 6	8 Sol. - 4 Str.	2-7/8	3/8	2-1/8
<b>GAR6426</b>	3/8	5/8 - 3/4	5 - 6	4 Sol. - 2/0 Str.	2-7/8	3/8	2-1/8
<b>GAR6429</b>	3/8	5/8 - 3/4	5 - 6	2/0 Sol. - 250	2-7/8	3/8	2-1/8
<b>GAR6434</b>	3/8	5/8 - 3/4	5 - 6	300-500	3-1/2	1/2	2-1/2
<b>GAR144C</b>	1/2-3/4	7/8 - 1	7 - 8	8 Sol. - 4 Str.	2-3/4	3/8	2-3/8
<b>GAR1426</b>	1/2-3/4	7/8 - 1	7 - 8	4 Sol. - 2/0 Str.	3	3/8	2-3/8
<b>GAR1429</b>	1/2-3/4	7/8 - 1	7 - 8	2/0 Sol. - 250	3	3/8	2-3/8
<b>GAR1434</b>	1/2-3/4	7/8 - 1	7 - 8	300-500	3-3/4	1/2	2-3/4
<b>GAR154C</b>	1	1-1/8 - 1-1/4	9 - 10	8 Sol. - 4 Str.	2-7/8	3/8	2-5/8
<b>GAR1526</b>	1	1-1/8 - 1-1/4	9 - 10	4 Sol. - 2/0 Str.	2-7/8	3/8	2-5/8
<b>GAR1529</b>	1	1-1/8 - 1-1/4	8 - 9	2/0 Sol. - 250	3-3/8	3/8	2-5/8
<b>GAR1534</b>	1	1-1/8 - 1-1/4	9 - 10	300-500	4-1/2	1/2	2-5/8
<b>GAR164C</b>	1-1/4	1-3/8 - 1-1/2	11	8 Sol. - 4 Str.	3-1/2	3/8	3
<b>GAR1626</b>	1-1/4	1-3/8 - 1-1/2	11	4 Sol. - 2/0 Str.	3-1/2	3/8	3
<b>GAR1629</b>	1-1/4	1-3/8 - 1-1/2	11	2/0 Sol. - 250	3-1/2	3/8	3
<b>GAR1634</b>	1-1/4	1-3/8 - 1-1/2	11	300-500	4-1/4	1/2	3-3/8

\* This is the "Trade" Pipe Size reference.

**TYPE GAR**

(Continued)



Catalog Number	Conductor				H	J	W
	Tube I.P.S.*	Rebar Size	Rod Size or O.D. Range	Cable Range			
GAR174C	1-1/2	—	1-5/8 - 1-7/8	8 Sol. - 4 Str.	4	3/8	3-1/4
GAR1726	1-1/2	—	1-5/8 - 1-7/8	4 Sol. - 2/0 Str.	4	3/8	3-1/4
GAR1729	1-1/2	—	1-5/8 - 1-7/8	2/0 Sol. - 250	4	3/8	3-1/4
GAR1734	1-1/2	—	1-5/8 - 1-7/8	300 - 500	4-5/8	1/2	2-5/8
GAR184C	2	—	2 - 2-3/8	8 Sol. - 4 Str.	4-1/4	3/8	3-3/4
GAR1826	2	—	2 - 2-3/8	4 Sol. - 2/0 Str.	4-1/4	3/8	3-3/4
GAR1829	2	—	2 - 2-3/8	2/0 Sol. - 250	4-1/2	3/8	3-3/4
GAR1834	2	—	2 - 2-3/8	300 - 500	5-1/4	1/2	4-1/8
GAR194C	2-1/2	—	2-1/2 - 2-7/8	8 Sol. - 4 Str.	5	3/8	4-1/4
GAR1926	2-1/2	—	2-1/2 - 2-7/8	4 Sol. - 2/0 Str.	5	3/8	4-1/4
GAR1929	2-1/2	—	2-1/2 - 2-7/8	2/0 Sol. - 250	5	3/8	4-1/4
GAR1934	2-1/2	—	2-1/2 - 2-7/8	300 - 500	5-5/8	1/2	4-5/8
GAR204C	3	—	3 - 3-1/2	8 Sol. - 4 Str.	5-5/8	3/8	4-3/4
GAR2026	3	—	3 - 3-1/2	4 Sol. - 2/0 Str.	5-5/8	3/8	4-3/4
GAR2029	3	—	3 - 3-1/2	2/0 Sol. - 250	5-5/8	3/8	4-3/4
GAR2034	3	—	3 - 3-1/2	300 - 500	6-3/8	1/2	5-1/4
GAR214C	3-1/2	—	3-1/2 - 4	8 Sol. - 4 Str.	6-1/4	3/8	5-3/8
GAR2126	3-1/2	—	3-1/2 - 4	4 Sol. - 2/0 Str.	6-1/4	3/8	5-3/8
GAR2129	3-1/2	—	3-1/2 - 4	2/0 Sol. - 250	6-1/4	3/8	5-3/8
GAR2134	3-1/2	—	3-1/2 - 4	300 - 500	6-3/4	1/2	5-3/4
GAR224C	4	—	4 - 4-1/2	8 Sol. - 4 Str.	6-3/8	3/8	5-7/8
GAR2226	4	—	4 - 4-1/2	4 Sol. - 2/0 Str.	6-3/8	3/8	5-7/8
GAR2229	4	—	4 - 4-1/2	2/0 Sol. - 250	6-3/8	3/8	5-7/8
GAR2234	4	—	4 - 4-1/2	300 - 500	6-7/8	1/2	6-1/4
GAR244C	5	—	—	8 Sol. - 4 Str.	7-3/4	3/8	6-7/8
GAR2426	5	—	—	4 Sol. - 2/0 Str.	7-3/4	3/8	6-7/8
GAR2429	5	—	—	2/0 Sol. - 250	7-3/4	3/8	7-1/4
GAR2434	5	—	—	300 - 500	8-5/8	1/2	7-1/4
GAR8629	6	—	—	2/0 Sol. - 250	8-13/16	1/2	8-3/8
GAR8634	6	—	—	300 - 500	8-13/16	1/2	8-3/8

\* This is the "Trade" Pipe Size reference.

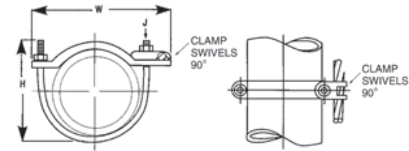
**NOTE:**

Contact BURNDY® for additional pipe and wire size combinations not shown.

## TYPES GAR-BU AND GAR3902 SERIES

### Ground Connectors

Type GAR-BU is a high-conductivity copper ground connector for connecting a small to medium range copper ground conductor to water pipe as well as structural and reinforcing rod shapes. Universal acceptance of several sizes of cylindrical shapes makes this suitable for industrial construction and maintenance work as well as cathodic protection. Cable clamp swivels to permit parallel grounding of one pipe or 90° degree cable run for grounding several parallel pipes. Single wrench installation. UL467 Listed and CSA Certified.



### Features & Benefits

- Cable clamp swivels at 90°
  - ◇ Permits parallel grounding of one pipe or a 90° cable run for grounding several parallel pipes.
- One-wrench installation
  - ◇ Simplified installation.
- DURIMUM™ silicon bronze hardware (-BU Series)\*
  - ◇ Long lasting corrosion resistance and acceptable for direct burial in earth or concrete.
- UL467 Listed
  - ◇ Provides quality assurance to recognized industry NEC standards from an independent party.



Catalog Number	Cable Range	IPS Size **	O.D. Range	H	J	W	Recommended Tightening Torque
GAR3902-BU ①	#4- 4/0 AWG	1/2-1	0.84 - 1.32	3.50	3/8" - 16	3.25	240 in. - lbs.
GAR3903-BU ①	#4- 4/0 AWG	1 1/4-2	1.66 - 2.38	4.00	3/8" - 16	4.25	240 in. - lbs.
GAR3904-BU ①	#4- 4/0 AWG	2 1/2-3 1/2	2.88 - 4.00	6.50	3/8" - 16	6.00	240 in. - lbs.
GAR3905-BU ①	#4- 4/0 AWG	4-5	4.50 - 5.56	7.50	3/8" - 16	7.50	240 in. - lbs.
GAR3906-BU ①	#4- 4/0 AWG	6	6.62	8.50	3/8" - 16	8.62	240 in. - lbs.
GAR3907-BU ①	#4- 4/0 AWG	8	8.62	10.00	3/8" - 16	10.62	240 in. - lbs.
GAR3908-BU ①	#4- 4/0 AWG	10	10.75	12.00	3/8" - 16	12.75	240 in. - lbs.
GAR3909-BU ①	#4- 4/0 AWG	12	12.75	14.00	3/8" - 16	14.75	240 in. - lbs.
GAR3902	#4- 4/0 AWG	1/2-1	0.84 - 1.32	3.50	3/8" - 16	3.25	240 in. - lbs.
GAR3903	#4- 4/0 AWG	1 1/4-2	1.66 - 2.38	4.00	3/8" - 16	4.25	240 in. - lbs.
GAR3904	#4- 4/0 AWG	2 1/2-3 1/2	2.88 - 4.00	6.50	3/8" - 16	6.00	240 in. - lbs.
GAR3905	#4- 4/0 AWG	4-5	4.50 - 5.56	7.50	3/8" - 16	7.50	240 in. - lbs.
GAR3906	#4- 4/0 AWG	6	6.62	8.50	3/8" - 16	8.62	240 in. - lbs.
GAR3907	#4- 4/0 AWG	8	8.62	10.00	3/8" - 16	10.62	240 in. - lbs.
GAR3908	#4- 4/0 AWG	10	10.75	12.00	3/8" - 16	12.75	240 in. - lbs.
GAR3909	#4- 4/0 AWG	12	12.75	14.00	3/8" - 16	14.75	240 in. - lbs.

NOTE:

① Type GAR-BU is supplied with DURIMUM™ silicon bronze hardware and is Listed for direct burial.

\*\* Refer to Section O for tube dimensions.

## TYPE GAR-RB

For Reinforcement Bar

NOTE:

UL 467 Listed for direct burial in earth or concrete.



Catalog Number	Rebar	I.P.S.	O.D. Range	Rod Size	Copper Conductor	
					Min.	Max.
GAR644C-RB	#3 - 6 (0.38 - 0.75)	3/8	0.63 - 0.75	5/8-3/4	8 Sol.	4 Str.

**TYPE GAR-TC**

**Water Pipe  
Ground Connector**

Type GAR-TC is a high-conductivity copper ground connector that features a pre-drilled pad, allowing a 2-hole compression terminal to be directly connected to water pipe as well as structural and reinforcing rod shapes. Universal acceptance of several sizes of cylindrical shapes makes this suitable for industrial construction and maintenance work as well as telecommunications grounding. Terminal may be mounted parallel, 45° or 90° degrees to the pipe. Acceptable for direct burial.

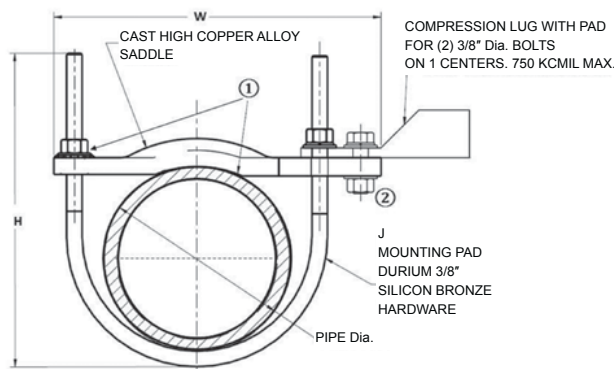
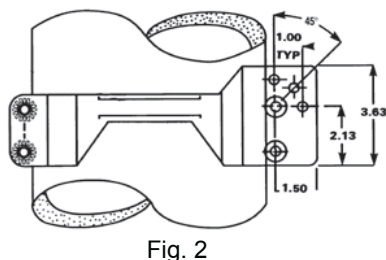
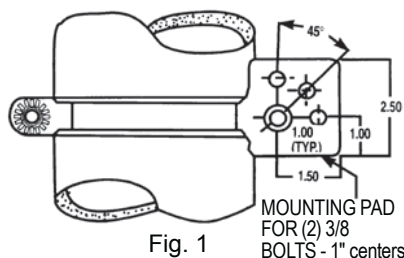


PATENTED



**Features & Benefits**

- Large, smooth connector contact area between pipe and ground clamp
  - ◇ Provides large surface contact area to maximize contact area between connector and pipe.
- The GAR-TC mounting pad permits parallel, 45° or 90° angle connections to the pipe
  - ◇ Provides maximum flexibility for field installation.
- Pre-drilled pad for (2) 3/8" bolts on 1" centers
  - ◇ Allows direct mounting of (2) hole compression terminals up to 750 kcmil to pipe.
- DURIMUM™ silicon bronze hardware
  - ◇ Provide long lasting corrosion resistance acceptable for direct burial in earth or concrete.
- One-wrench installation
  - ◇ Simplified installation.
- UL467 Listed
  - ◇ Provides quality assurance to recognized industry NEC standards from an independent party. Type GAR-TC is acceptable for direct burial.



Catalog Number	Figure #	Accommodates		H	J	W	Recommended Torque
		I.P.S. **	O.D. Size				
GAR3902TC	1	1/2-1	0.84 - 1.32	3.50	3/8	3.75	240
GAR3903TC	1	1 1/4-2	1.66 - 2.38	4.00	3/8	4.75	240
GAR3904TC	1	2 1/2-3 1/2	2.88 - 4.00	6.50	3/8	6.50	240
GAR3905TC	1	4-5	4.50 - 5.56	7.50	3/8	8.00	240
GAR3906TC	1	6	6.62	8.50	3/8	9.12	240
GAR3907TC	2	8	8.62	10.00	3/8	11.25	240
GAR3908TC	2	10	10.75	12.00	3/8	13.25	240
GAR3909TC	2	12	12.75	14.00	3/8	15.25	240

**NOTES:**

\*\* Refer to Section O for tube dimensions.

① Add suffix "-TNET" for electro-tin plated connector and electro-tin plated

DURIMUM™ silicon bronze hardware. Tin plated catalog number includes mounting hardware for second bolt hole.

**② OPTIONAL MOUNTING HARDWARE**

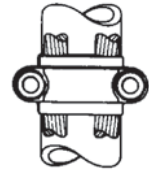
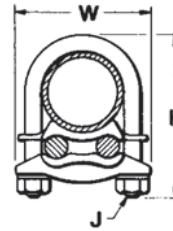
TMH-289 includes (1) 38X125HEB bolt, (1) 38CHEN nut, (1) 38SW split washer and (2) 38FW flat washers, ordered separately.

Clean pipe surface beneath saddle until virgin metal is exposed, install GAR-TC ground connector and for maximum conductivity, apply PENETROX™ E oxide inhibiting compound around perimeter of saddle.

## TYPE GD

### Cable to Rod/Tube Ground Connector

For Two Copper Cables  
to Rod or Tube



High copper alloy ground connector for joining a range of two parallel cables to rod or pipe. Especially good for grounding fence posts. High copper alloy cast body with DURIMUM™ U-bolts,

nuts, and lockwashers make the GD suitable for burial in ground or concrete. One-wrench installation. UL467 Listed. Acceptable for direct burial in earth or concrete.



Catalog Number	Conductor			H	J	W
	Tube I.P.S. **	Rod Size or O.D. Range	Cable			
GD1526	1	1-1/8 - 1-1/4	4 Sol. - 2/0 Str.	3-3/8	3/8	2-5/8
GD1529	1	1-1/8 - 1-1/4	2/0 Sol. - 250	3-3/8	3/8	2-5/8
GD1626	1-1/4	1-3/8 - 1-1/2	4 Sol. - 2/0 Str.	3-1/2	3/8	3
GD1629	1-1/4	1-3/8 - 1-1/2	2/0 Sol. - 250	3-1/2	3/8	3-1/4
GD174C	1-1/2	1-5/8 - 1-7/8	8 Sol. - 4 Str.	4	3/8	3-1/4
GD1726	1-1/2	1-5/8 - 1-7/8	4 Sol. - 2/0 Str.	4	3/8	3-1/4
GD1729	1-1/2	1-5/8 - 1-7/8	2/0 Sol. - 250	4	3/8	3-1/4
GD1734	1-1/2	1-5/8 - 1-7/8	300 - 500	4-5/8	1/2	3-5/8
GD184C	2	2 - 2-3/8	8 Sol. - 4 Str.	4-3/8	3/8	3-3/4
GD1826	2	2 - 2-3/8	4 Sol. - 2/0 Str.	4-3/8	3/8	3-3/4
GD1829	2	2 - 2-3/8	2/0 Sol. - 250	4-3/8	3/8	3-3/4
GD1834	2	2 - 2-3/8	300 - 500	5-3/8	1/2	4-1/8
GD194C	2-1/2	2-1/2 - 2-7/8	8 Sol. - 4 Str.	5	3/8	4-1/4
GD1926	2-1/2	2-1/2 - 2-7/8	4 Sol. - 2/0 Str.	5	3/8	4-1/4
GD1929	2-1/2	2-1/2 - 2-7/8	2/0 Sol. - 250	5	3/8	4-1/4
GD1934	2-1/2	2-1/2 - 2-7/8	300 - 500	5	1/2	4-5/8
GD204C	3	3 - 3-1/2	8 Sol. - 4 Str.	5-5/8	3/8	4-7/8
GD2026	3	3 - 3-1/2	4 Sol. - 2/0 Str.	5-5/8	3/8	4-7/8
GD2029	3	3 - 3-1/2	2/0 Sol. - 250	5-5/8	3/8	4-7/8
GD2034	3	3 - 3-1/2	300 - 500	6-3/8	1/2	5-1/4
GD214C	3-1/2	3-1/2 - 4	8 Sol. - 4 Str.	6-1/4	3/8	5-3/8
GD2126	3-1/2	3-1/2 - 4	4 Sol. - 2/0 Str.	6-1/4	3/8	5-3/8
GD2129	3-1/2	3-1/2 - 4	2/0 Sol. - 250	6-1/4	3/8	5-3/8
GD2134	3-1/2	3-1/2 - 4	300 - 500	6-7/8	1/2	5-3/4
GD224C	4	4 - 4-1/2	8 Sol. - 4 Str.	6-3/8	3/8	5-7/8
GD2226	4	4 - 4-1/2	4 Sol. - 2/0 Str.	6-3/8	3/8	5-7/8
GD2229	4	4 - 4-1/2	2/0 Sol. - 250	6-3/8	3/8	5-7/8
GD2234	4	4 - 4-1/2	300 - 500	6-7/8	1/2	6-1/4

**NOTE:**

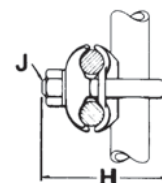
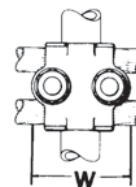
\*\* Refer to Section O for tube dimensions.  
Complies with NFPA 78-86 HEAVY DUTY stacks; use suffix "-LD"  
for lead plating for HEAVY DUTY stack applications



**TYPE GP**

**Ground Connector**

For Two Copper Cables to Rod or Pipe



High copper alloy ground connector for joining a range of parallel cables perpendicular to rod, pipe or column. Also used with one groove for run, the other for tap to equipment. High copper alloy cast body and DURIMUM™ U-bolts, nuts, and lockwashers make the GP suitable for direct burial in the ground or concrete. One-wrench installation. UL467 Listed. Acceptable for direct burial in earth or concrete.



Catalog Number	Conductor			H	J	W
	Tube I.P.S. **	O.D. Size	Cable			
GP114C	1/4	1/2	8 Sol. - 4 Str.	2-1/2	3/8	1-7/8
GP1126	1/4	1/2	4 Sol. - 2/0 Str.	2-1/2	3/8	1-7/8
GP1129	1/4	1/2	2/0 Sol. - 250	2-1/2	3/8	1-7/8
GP644C	3/8	5/8 - 3/4	8 Sol. - 4 Str.	2-1/2	3/8	2-1/8
GP6426	3/8	5/8 - 3/4	4 Sol. - 2/0 Str.	2-1/2	3/8	2-1/8
GP6429	3/8	5/8 - 3/4	2/0 Sol. - 250	2-7/8	3/8	2-1/8
GP6434	3/8	5/8 - 3/4	300 - 500	3-1/2	1/2	2-5/9
GP144C	1/2-3/4	7/8 - 1	8 Sol. - 4 Str.	2-3/4	3/8	2-3/8
GP1426	1/2-3/4	7/8 - 1	4 Sol. - 2/0 Str.	3	3/8	2-3/8
GP1429	1/2-3/4	7/8 - 1	3/0 Sol. - 250	3	3/8	2-3/8
GP1434	1/2-3/4	7/8 - 1	300 - 500	3-3/4	1/2	2-5/9
GP164C	1-1/4	1-5/8	8 Sol. - 4 Str.	3-1/2	3/8	3
GP1629	1-1/4	1-5/8	2/0 Sol. - 250	3-1/2	3/8	3
GP1726	1-1/2	1-7/8	4 Sol. - 2/0 Str.	4	3/8	3-1/4
GP184C	2	2-3/8	8 Sol. - 4 Str.	4-1/8	3/8	3-11/16
GP1826	2	2-3/8	4 Sol. - 2/0 Str.	4-3/8	3/8	3-11/16
GP2026	3	3-1/2	4 Sol. - 2/0 Str.	5-1/2	3/8	4-13/16
GP2226	4	4-1/2	4 Sol. - 2/0 Str.	6-3/8	3/8	5-13/16

NOTE:

\*\* Refer to Section O for tube dimensions.

## TYPE GA-H

### Ground Connector

For Copper Cable to "H" Beam or Square Fence Post

High copper alloy ground connector for joining a wide range of cable parallel to "H" beams or square tube. Hardware is made from DURIMUM™ for superior corrosion protection.

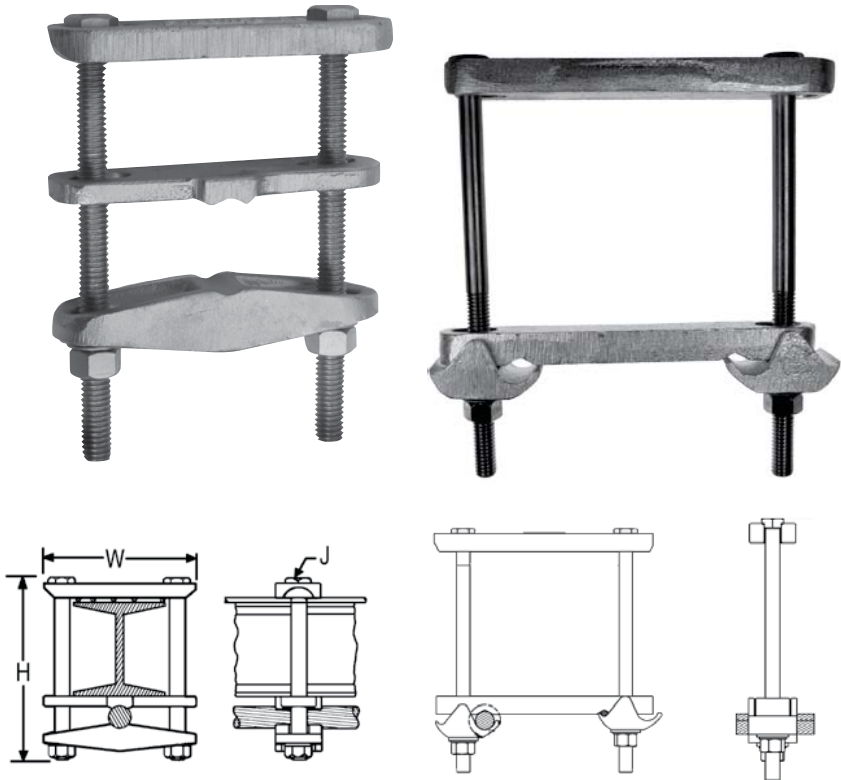


Figure 1

Figure 2

Catalog Number	Figure	Accommodates		H	J	W
		"H" Beam	Copper Conductor			
GA25H26	1	1-7/8" - 2-1/2" X 2-1/2"	4 Sol. - 2/0 Str.	4-3/4	3/8	4

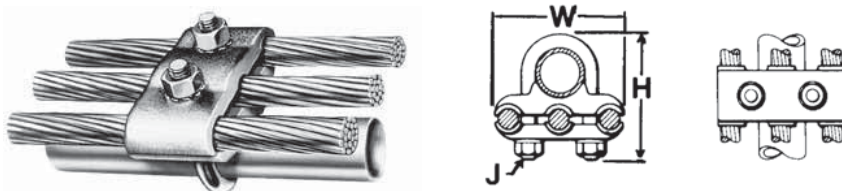
Catalog Number	Figure	Accommodates			H	J	W	Recommended Torque in-lb
		Square Fence Post	Copper Conductor					
			Small Clamp	Large Clamp				
GA400H294CTN	2	4"	6 Sol. (.162) - 4 Str. (.232)	1/0 Sol (.324) - 4/0 Str. (.528)	6.75 (171)	3/8	6.06 (154)	150



**TYPE GK**

**Ground Connector**

For Three Copper Cables  
to Rod or Pipe



High copper alloy ground connector for joining three equal cables to rod or tube. Cable grooves take a wide range of cable. High copper alloy cast body and DURIMUM™ U-bolts, nuts, and lockwashers make the GK suitable for direct burial in soil or concrete. One-wrench installation. UL467 Listed. Acceptable for direct burial in earth or concrete.



Catalog Number	Conductor			H	J	W
	Tube I.P.S. **	O.D. Size	Cable			
GK114C	1/4	1/2	8 Sol. - 4 Str.	2-1/2	3/8	2-1/2
GK1126	1/4	1/2	4 Sol. - 2/0 Str.	2-1/2	3/8	2-3/4
GK1129	1/4	1/2	2/0 Sol. - 250	2-1/2	1/2	3-3/8
GK644C	3/8	5/8 - 3/4	8 Sol. - 4 Str.	2-7/8	3/8	2-5/8
GK6426	3/8	5/8 - 3/4	4 Sol. - 2/0 Str.	2-7/8	3/8	3
GK6429	3/8	5/8 - 3/4	2/0 Sol. - 250	2-7/8	1/2	3-1/2
GK6434	3/8	5/8 - 3/4	300 - 500	3-1/2	1/2	4
GK1426	1/2 - 3/4	7/8 - 1	4 Sol. - 2/0 Str.	2-3/4	3/8	3-1/4
GK1429	1/2 - 3/4	7/8 - 1	2/0 Sol. - 250	3-3/4	1/2	3-7/8
GK1434	1/2 - 3/4	7/8 - 1	300 - 500	3-3/4	1/2	4-3/8
GK1526	1	1-1/8 - 1-1/4	4 Sol. - 2/0 Str.	3-3/8	3/8	3-1/2
GK1529	1	1-1/8 - 1-1/4	2/0 Sol. - 250	3-3/4	1/2	4-1/8
GK1626	1-1/4	1-3/8 - 1-1/2	4 Sol. - 2/0 Str.	3-1/2	3/8	3-7/8
GK1629	1-1/4	1-3/8 - 1-1/2	2/0 Sol. - 250	4-1/4	1/2	4-1/2
GK1726	1-1/2	1-5/8 - 1-7/8	4 Sol. - 2/0 Str.	4	3/8	4-1/8
GK1729	1-1/2	1-5/8 - 1-7/8	2/0 Sol. - 250	4-5/8	1/2	4-3/4
GK1826	2	2 - 2-3/8	4 Sol. - 2/0 Str.	4-1/4	3/8	4-5/8
GK1829	2	2 - 2-3/8	2/0 Sol. - 250	4-3/8	1/2	5-1/8
GK1926	2-1/2	2-1/2 - 2-7/8	4 Sol. - 2/0 Str.	5	3/8	5-1/8
GK1929	2-1/2	2-1/2 - 2-7/8	2/0 Sol. - 250	5	1/2	5-5/8

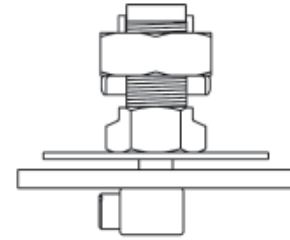
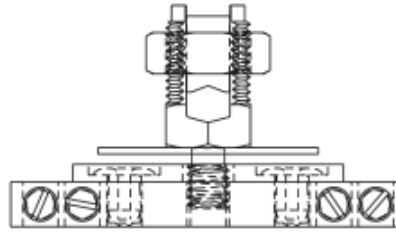
NOTE:

\*\* Refer pages to Section-O for tube dimensions.

## TYPE BDT

### BONDIT® INTERSYSTEM BONDING CONNECTOR

House Mounted or  
Meter Socket Mounted

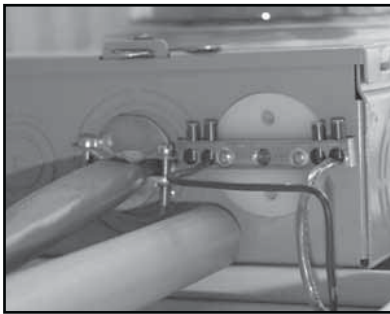


Designed to meet the requirements of NEC Article 250.94 "Bonding for Other Systems". Corrosion-resistant stainless steel set screws. Accepts main ground wire (#2-#8) and up to 4 intersystem wires (#6-#14). Same design can be mounted directly to the meter socket or mounted to the house. Innovative design does not damage meter socket and will not void warranty.

Catalog Number: **BDT1**

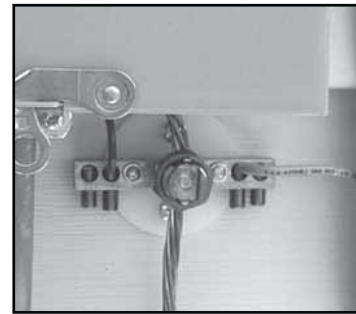
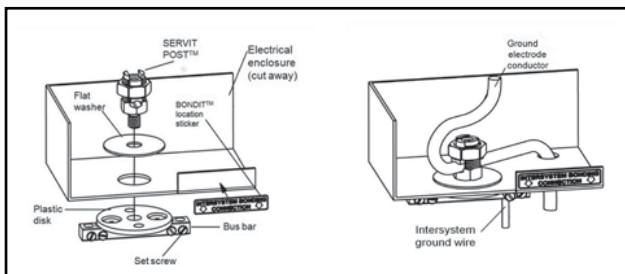
### Features & Benefits

- Made in the USA!
- Meets Intersystem Bonding Requirements; NEC 250.94
- One connector does it all
- House mount or meter socket mount
- Incorporates proven BURNDY® SERVIT POST™ design
- Stainless steel set screws
- Accepts main ground wire (#2-#8), up to 4 intersystem wires (#6-#14)
- Easily mounts to meter box during new installation or can be wall mounted
- Easy to follow instructions included
- Does not damage meter socket; no worries about damaging the paint or voiding warranties
- Easily installed with a wrench and screwdriver
- Open design prevents buildup of hornets, bees, spiders



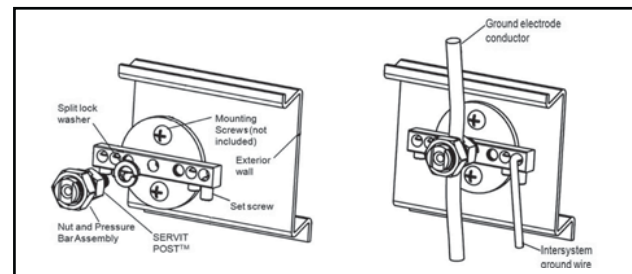
### CONFIGURATION 1 - MOUNTED TO ENCLOSURE

1. Punch out a 1/2" or 3/4" knock out on the electrical enclosure.
2. Begin assembly by installing the ground electrode conductor in the SERVIT POST™ inside the electrical enclosure. Torque on SERVIT® NUT: 275 in-lb max.
3. Install the rest of the connector shown below, it is not necessary for the bus bar to be aligned parallel with the enclosure. (Note: the split washer is not used in this configuration.)
4. Tighten the intersystem ground wires with set screws in the bus bar to a maximum torque of 35 in-lb.
5. Adhere the BONDIT® location sticker to the front of the electrical enclosure.



### CONFIGURATION 2 - MOUNTED TO EXTERIOR WALL

1. Begin by assembling the connector as shown in figure below. Be sure SERVIT POST™ is as tight as it can be while its groove is aligned with the ground electrode conductor. (Note: the flat washer is not used in this configuration.)
2. Use two mounting screws (not included) to secure the connector to the exterior wall so that the set screws in the bus bar face downward.
3. Install the ground electrode conductor into the SERVIT POST™ while turning the nut/pressure bar assembly to a maximum torque of 275 in-lb (use 2 wrenches if necessary).
4. Tighten the intersystem ground wires with the set screws in the bus bar to a maximum torque of 35 in-lb.
5. If hidden from view, use the BONDIT® location sticker to indicate the location.



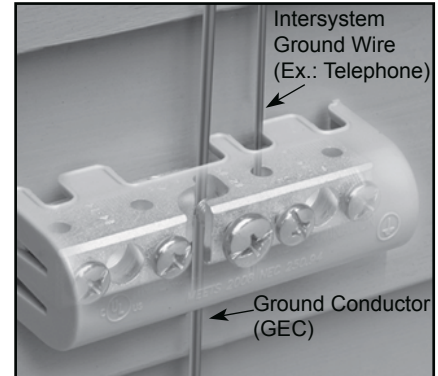
**BONDIT® - Wall Mounted**

**Intersystem Bonding Connector**

NEC 250.94 refers to a requirement in the 2008 National Electrical Code. In the past, ground wires from telephone systems or cable systems were allowed to be grounded separately from the GEC (Ground Electrode Conductor from the main electrical service). With the new code, all ground wires from separate systems such as telephone systems, CATV and radio systems must be tied together at one location to the GEC. Hence, the term intersystem refers to tying all of the “system” grounds together in one location. The BONDIT®-Wall Mount is a great solution when the GEC is exposed (not in conduit).

With the new BONDIT® - Wall Mount connector BURNDY provides an economical solution that meets the needs of NEC 250.94.

Catalog Number: **BDTIBB**



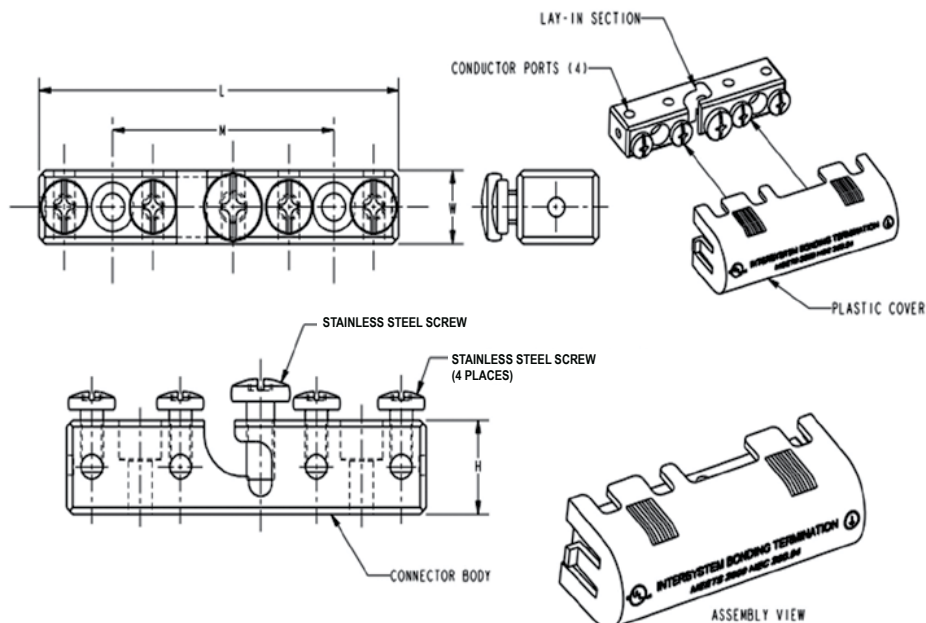
**Features & Benefits**

- Meets the Intersystem Bonding requirements of NEC2008 250.94
- Provides an easy to access grounding point for utilities such as telecom and cable
- Easy to install
- UL Listed and CSA Certified
- Tin-plated connector body provides long-lasting corrosion resistance
- Stainless steel set screws
- Accepts main ground wire (#2 to #6), up to (4) intersystem wires (#4 to #14)



- Supplied with durable cover, easily secured over connector body
- Approved for use with solid or stranded conductors

Catalog Number	Conductor Range		Reference Dimensions			
	Lay-In Section	Conductor Ports	L	W	H	M
BDTIBB	#6 - #2 AWG	#14 - #4 AWG	3.99 [101]	0.71 [18]	0.91 [23]	2.46 [62]



## CAST BRONZE CLAMPS FOR CONDUIT

Pressure bar type conduit hub adjusts for 1/2", 3/4" EMT or 1/2" rigid conduit. Hub swings 360° for easy alignment. Zinc plated hardware.



Catalog Number	Accommodates Conductor Range			Reference Dimensions			Recommended Screw Torque (Inch Pounds)	
	Water Pipe	Ground	Hub Size	H	L	W	Pipe Clamp	Wire Clamp
C-11JPT	1/2 - 1 [13 - 25]	10 - 6 Sol.	1/2 [13]	2.07 in [53]	3.19 [81]	2.70 in [69]	50 in.-lb.	50 in.-lb.
C-22JPT	1-1/4 - 2 [32 - 51]	10 - 6 Sol.	1/2 [13]	2.70 in [69]	3.83 [97]	2.70 in [69]	50 in.-lb.	50 in.-lb.
C-4JPT	2-1/2 - 4 [64 - 102]	10 - 6 Sol.	1/2 [13]	4.39 in [112]	5.15 [131]	2.70 in [69]	50 in.-lb.	50 in.-lb.

## CAST BRONZE GROUND CLAMPS

For connecting grounding conductor to water pipe or copper tube. "D" indicates UL467 Listed for direct burial in earth and concrete and are supplied with silicon bronze hardware. "B" indicates brass hardware.



Catalog Number	Accommodates Conductor Range			Reference Dimensions				Recommended Screw Torque (Inch Pounds)	
	Water Pipe	Rebar	Ground	H	L	W	C	Pipe Clamp	Wire Clamp
C-11N	1/2 - 1 [13 - 25]	—	10 - 2 Str.	1.81 in [46]	2.25 [56]	0.63 in [16]	0.63 in [16]	50 in.-lb.	50 in.-lb.
C-11D	1/2 - 1 [13 - 25]	#4 - #8	10 - 2 Str.	1.81 in [46]	2.25 [56]	0.63 in [16]	0.63 in [16]	50 in.-lb.	50 in.-lb.
C-11B	1/2 - 1 [13 - 25]	—	10 - 2 Str.	1.81 in [46]	2.25 [56]	0.63 in [16]	0.63 in [16]	50 in.-lb.	50 in.-lb.
C-22*	1-1/4 - 2 [32 - 51]	—	10 - 2 Str.	2.38 in [60]	3.63 [92]	0.75 in [0.19]	1.00 in [25]	50 in.-lb.	50 in.-lb.
C-22D	1-1/4 - 2 [32 - 51]	—	10 - 2 Str.	2.38 in [60]	3.63 [92]	0.75 in [0.19]	1.00 in [25]	50 in.-lb.	50 in.-lb.
C-4*	2-1/2 - 4 [46 - 114]	—	10 - 2 Str.	4.13 in [105]	6.25 [159]	0.96 in [24]	1.88 in [48]	50 in.-lb.	50 in.-lb.
C-8*	4-1/2 - 6 [114 - 165]	—	10 - 2 Str.	4.29 in [109]	8.34 [212]	1.25 in [32]	1.88 in [48]	50 in.-lb.	50 in.-lb.

\* Supplied with zinc-plated steel hardware.

## BUDGET PRICE CAST BRONZE GROUND CLAMP

C5 similar to C11, but lighter duty.



Catalog Number	Accommodates Conductor Range		Reference Dimensions			Recommended Screw Torque (Inch Pounds)	
	Water Pipe	Ground	H	L	W	Pipe Clamp	Wire Clamp
C-5	1/2 - 1 [13 - 25]	10 - 2 Str.	1.56 in [40]	2.25 [56]	0.56 in [14]	50 in.-lb.	50 in.-lb.

**CAST BRONZE GROUND  
CLAMPS - LAY-IN**

With Lay-in Feature

For connecting grounding conductor to water pipe, copper tube, ground rod or rebar. The open face design allows for fast lay-in of the tap conductor without the need for cutting. Simply reverse bottom clamp for smaller size rebar or rod. Connectors are provided with Silicon Bronze hardware.



Fig. 1



Fig. 2



Catalog Number	Fig. #	Accommodates Conductor Range				Reference Dimensions			Recommended Screw Torque (Inch Pounds)
		Main		Tap		H	L	W	
		Water Pipe	Rebar	Ground Rod	Ground				
C11K16D	1	1/2" - 1" [13-25]	#4 - #6	3/8" - 1"	#10 - #2 Str.	1.64	2.28	0.66	50 in.-lbs.
C11K17D	2	1/2" - 1" [13-25]	#4 - #6	3/8" - 1"	#10 - #2 Str.	1.64	2.28	0.66	50 in.-lbs.

**DIE CAST CLAMPS**

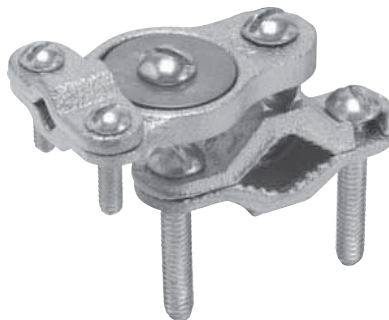
Die cast zinc with zinc plated screws.



Catalog Number	Accommodates Conductor Range		Reference Dimensions				Recommended Screw Torque (Inch Pounds)	
	Water Pipe	Ground	H	L	W	C	Pipe Clamp	Wire Clamp
CZ-11	1/2" - 1" [13-25]	10 - 2 Str.	1.56" [40]	2.25" [56]	0.56" [14]	0.50" [13]	50 in.-lb.	50 in.-lb.

## CAST BRONZE CLAMPS

To connect armored cable to water pipe. Zinc plated screws. Pressure bar grips armor or outer cable insulation. 360° swing hub for easy alignment.



Catalog Number	Accommodates Conductor Range		Reference Dimensions			Recommended Torque	
	Water Pipe	Armored Conductor	H	L	W	Pipe Clamp	Wire Clamp
C-11JA	1/2 - 1 [13-25]	10 - 6 Sol.	1.38" [35]	3.05" [77]	1.41" [36]	50 in.-lb.	50 in.-lb.
C-22JA	1-1/4 - 2 [32-51]	10 - 6 Sol.	2.60" [66]	3.69" [94]	1.41" [36]	50 in.-lb.	50 in.-lb.
C-4JA	2-1/2 - 4 [64-102]	10 - 6 Sol.	4.29" [109]	5.01" [128]	1.41" [36]	50 in.-lb.	50 in.-lb.

## CAST BRONZE GROUND CLAMPS

For connecting grounding conductor, EMT or rigid conduit to water pipe, copper tube, ground rod or rebar. Hub swings 360° for easy alignment. Simply reverse bottom clamp for smaller size rebar or rod. Connectors are provided with Silicon Bronze hardware.



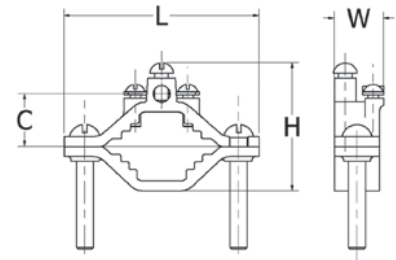
Catalog Number	Accommodates Conductor Range				Reference Dimensions			Recommended Screw Torque (Inch Pounds)
	Main			Tap	H	L	W	
	Water Pipe	Rebar	Ground Rod	Ground				
C11HD4/0DB	1/2" - 1" [13-25]	#4 - #6	3/8" - 1"	#8 - 4/0 AWG	2.25	2.65	1.56	50 in.-lbs.
C22HD4/0DB	1-1/4" - 2" [32-51]	—	—	#8 - 4/0 AWG	2.70	3.60	1.56	50 in.-lbs.



**CAST BRONZE CLAMPS**

**GROUND CLAMP**

For connecting armored cable to water pipe. Zinc plated screws. "D" indicates UL467 for direct burial in earth and concrete, supplied with silicon bronze hardware.



Catalog Number	Accommodates Conductor Range			Reference Dimensions				Recommended Screw Torque (Inch Pounds)	
	Water Pipe	Ground	Ground Clamp	H	L	W	C	Pipe Clamp	Wire Clamp
C-6	1/2 - 1 [13-25]	10 - 2 Str.	Bare Armored Unarmored Wire Cables or Cords	1.60" [41]	2.34" [59]	1.06" [27]	0.63" [16]	50 in.-lb.	50 in.-lb.
C-6D	1/2 - 1 [13-25]	10 - 2 Str.		1.60" [41]	2.34" [59]	1.06" [27]	0.63" [16]	50 in.-lb.	50 in.-lb.
C-7	1-1/4 - 2 [32-51]	10 - 2 Str.		2.38" [60]	3.62" [92]	0.94" [24]	1.00" [25]	50 in.-lb.	50 in.-lb.

**CAST BRONZE  
CLAMP FOR  
RIGID CONDUIT**

For grounding rigid conduit systems. Zinc plated screws.



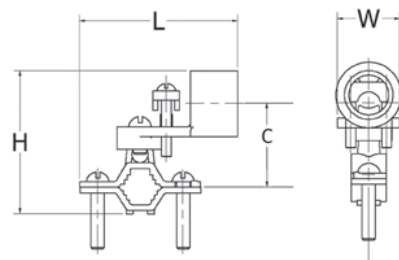
Catalog Number	Accommodates Conductor Range			Reference Dimensions				Recommended Screw Torque (Inch Pounds)	
	Water Pipe	Ground	Hub Size	H	L	W	C	Pipe Clamp	Wire Clamp
C-61	1/2 - 1 [13-25]	#6 Sol. Max.	1/2 [13]	2.07" [53]	2.34" [59]	1.34" [34]	1.06" [27]	50 in.-lb.	50 in.-lb.
C-66	1-1/4 - 2 [32-51]	#6 Sol. Max.	1/2 [13]	2.69" [68]	3.62" [92]	1.34" [34]	1.40" [36]	50 in.-lb.	50 in.-lb.

## CAST BRONZE CLAMPS FOR CONDUIT

For grounding rigid conduit systems. Continuity from rigid conduit systems to ground provided by cast bronze threaded conduit hub. Zinc plated screws.



-2, -3 Versions\*



Catalog Number	Accommodates Conductor Range			Reference Dimensions				Recommended Screw Torque (Inch Pounds)	
	Water Pipe	Ground	Hub Size	H	L	W	C	Pipe Clamp	Wire Clamp
C-11LH-1	1/2 - 1 [13-25]	10 Str. - 6 Sol.	1/2 [13]	2.25" [57]	3.23" [83]	0.69" [18]	0.97" [25]	50 in.-lb.	50 in.-lb.
C-22LH-1	1-1/4 - 2 [32-51]	10 Str. - 6 Sol.	1/2 [13]	2.88" [73]	3.50" [89]	0.69" [18]	1.34" [34]	50 in.-lb.	50 in.-lb.
C-4LH-1	2-1/2 - 4 [54-102]	10 Str. - 6 Sol.	1/2 [13]	4.56" [116]	4.82" [122]	0.69" [18]	2.44" [62]	50 in.-lb.	50 in.-lb.
C-11LH-2	1/2 - 1 [13-25]	2/0 - 10 Str.	3/4 [19]	2.56" [65]	2.86" [73]	1.00" [25]	1.13" [29]	50 in.-lb.	50 in.-lb.
C-22LH-2	1-1/4 - 2 [32-51]	2/0 - 10 Str.	3/4 [19]	3.19" [65]	3.50" [89]	1.00" [25]	1.50" [38]	50 in.-lb.	50 in.-lb.
C-4LH-2	2-1/2 - 4 [64-102]	2/0 - 10 Str.	3/4 [19]	4.88" [124]	4.82" [122]	1.00" [25]	2.38" [60]	50 in.-lb.	50 in.-lb.
C-11LH-3	1/2 - 1 [13-25]	3/0 - 10 Str.	1 [25]	2.69" [68]	2.86" [73]	1.13" [29]	1.19" [30]	50 in.-lb.	50 in.-lb.
C-22LH-3	1-1/4 - 2 [32-51]	3/0 - 10 Str.	1 [25]	3.32" [59]	3.50" [89]	1.13" [29]	1.56" [40]	50 in.-lb.	50 in.-lb.
C-4LH-3	2-1/2 - 4 [64-102]	3/0 - 10 Str.	1 [25]	5.01" [127]	4.82" [122]	1.13" [29]	2.44" [62]	50 in.-lb.	50 in.-lb.

\* C-LH with -1 has one screw; -2 and -3 Versions have 2 screws as shown.

## CAST BRONZE CLAMP WITH COPPER STRAP

For grounding rigid conduit systems. Strap helps protect conduit system from water system vibrations. Zinc plated screws. Strap ETP copper.



Fig. 1



Fig. 2

Catalog Number	Fig. #	Accommodates Conductor Range			Reference Dimensions					Recommended Screw Torque (Inch Pounds)	
		Water Pipe	Ground	Hub Size	H	L	W	C	D	Pipe Clamp	Wire Clamp
C-11CSH-1	1	1/2-1 [13-25]	6 Sol. Max.	1/2 [13]	1.75" [44]	8.50" [216]	1.06" [27]	1.06" [27]	6.12" [155]	50 in.-lb.	50 in.-lb.
C-11CSH-2	1	1/2-1 [13-25]	4/0 Str. Max.	3/4 [19]	1.75" [44]	8.50" [216]	1.25" [32]	1.50" [38]	6.12" [155]	50 in.-lb.	50 in.-lb.
C-11CSH-3	1	1/2-1 [13-25]	4/0 Str. Max.	1 [25]	1.75" [44]	8.50" [216]	1.50" [38]	1.75" [44]	6.12" [155]	50 in.-lb.	50 in.-lb.
C11CSLH12	2	1/2-1 [13-25]	2/0 Str. Max.	1/2 [13]	1.75" [44]	8.50" [216]	1.18" [30]	1.06" [27]	6.12" [155]	50 in.-lb.	45 in.-lb.

**TYPE GC-A**

**Dual Rated  
Ground Clamp**

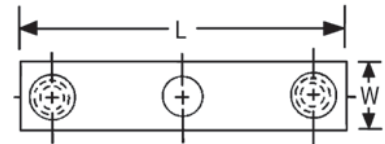
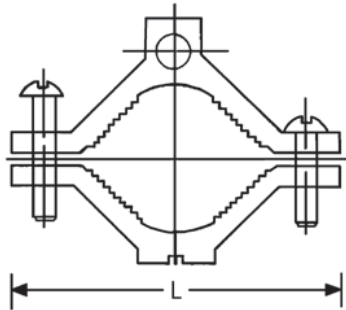
For Copper and  
Aluminum Cable

GC-A ground clamps are UL Listed for use with either copper or aluminum conductors to copper water pipe, galvanized pipe or steel conduit. All clamps are constructed from tin plated high-strength extruded aluminum alloy. PENETROX™ oxide inhibiting joint compounds are recommended for all aluminum applications.



**Features & Benefits**

- Clamps are dual rated for both copper and aluminum conductors
  - ◊ Maximum flexibility of application
- All connectors are tin plated
  - ◊ Provide low contact resistance and prevents galvanic corrosion
- All clamps are range taking
  - ◊ Only 3 catalog numbers covers complete range of applications from 1/2 - 4 inches



Catalog Number	Conduit, Pipe, or Water Tube Size**	Wire Range	Screw Type	W	L	Hex Size
GC15A	1/2 - 3/4 - 1	1/0 - 14	Slotted	11/16	2-1/4	Slot
GC18A	1-1/4 - 1-1/2 - 2	250 kcmil - 6	Hex Socket	13/16	3-3/4	5/16
GC22A	2-1/2 - 3 - 3-1/2 - 4	250 kcmil - 6	Hex Socket	1	6-5/16	5/16

NOTE:

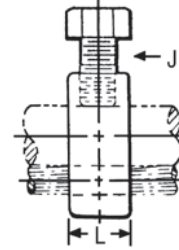
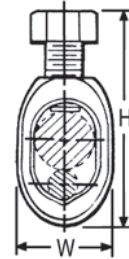
\*\* Refer to Section O for tube dimensions.

## TYPE GRC

### High Strength Ground Rod Clamp

For Copper Cable to Rod

High copper alloy ground connector for joining a range of cable to copper clad, galvanized steel, and stainless steel ground rods. Slips over end of rod, one-wrench installation. UL467 Listed for direct burial in earth and concrete.

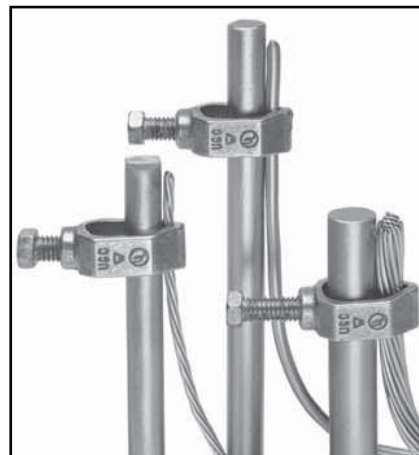


Catalog Number	Drive Rod	Conductor Range		H	W	L	J
		Min.	Max.				
GRC12	1/2	10 Sol.	2 Str.	2.00	0.89	0.63	3/8
GRC58	5/8	10 Sol.	1 Str.	2.19	0.95	0.63	3/8
GRC34	3/4	8 Sol.	1/0 Str.	2.47	1.09	0.65	3/8

## TYPE GCRT1/0 GROUND CONNECTORS

### Ground Clamp Range Taking, up to 1/0

The GCRT1/0 is a range taking ground rod clamp offering another choice from the BURNDY® family of connectors. The GCRT1/0 works on 1/2", 5/8" and 3/4" ground rods with a wire range of #8 through 1/0! The clamp is UL467 Listed for direct burial in earth and concrete. Catalog number **GCRT1/0**.



### Features & Benefits

- Range taking design helps reduce inventory
- UL Listed and CSA Certified
- UL467 Listed for direct burial in earth and concrete



## TYPE GRL

### Light Duty Economical Ground Rod Clamp

UL 467 Listed. Acceptable for direct burial in earth and concrete.



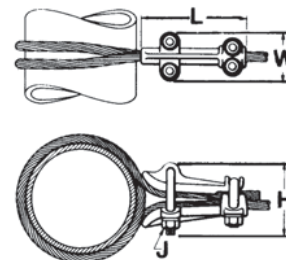
Catalog Number	Rod Size	Conductor Range	
		Minimum	Maximum
GRL3	3/8 in	10 AWG	4 AWG
GRL4	1/2 in	10 AWG	2 AWG
GRL5	5/8 in	10 AWG	2 AWG
GRL6	3/4 in	10 AWG	2 AWG

**TYPE GQ**

**Ground Connector**

For Copper Cable to Tube

High copper alloy ground connector for cross connecting a wide range of cable. High copper alloy, cast body, DURIMUM™ U-bolts, nuts, and lockwashers make the GQ suitable for burial in soil or concrete. One-wrench installation. UL467 Listed. Acceptable for direct burial in earth or concrete.



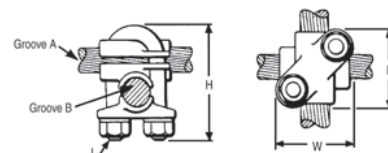
Catalog Number	Conductor		H	J	L	W
	I.P.S.	Cable				
<b>GQ2626</b>	6" Max.	4 Str. - 2/0 Str.	4-1/2	1/2	5	2-1/2
<b>GQ26-1</b>	Above 6"	4 Str. - 2/0 Str.	7-1/8	1/2	5	2-1/2
<b>GQ2929</b>	6" Max.	2/0 Str. - 250	4-1/8	1/2	6	2-3/4
<b>GQ29-1</b>	Above 6"	2/0 Str. - 250	7-1/2	1/2	6	2-3/4

**TYPE GX**

**Ground Connector**

For Copper Cables

High copper alloy ground connector for cross connecting a wide range of cable. The high copper alloy cast body, DURIMUM™ U-bolts, nuts, and lockwashers make the GX suitable for burial in soil or concrete. One-wrench installation. UL467 Listed. Acceptable for direct burial in earth or concrete.



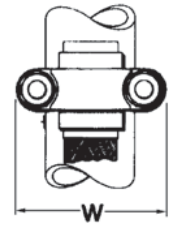
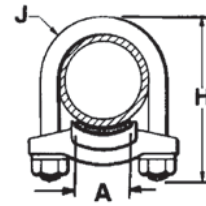
Catalog Number	Conductor		H	J	L	W
	Groove A	Groove B				
<b>GX4C4C</b>	8 Sol. - 4 Str.	8 Sol. - 4 Str.	1-7/8	3/8	1-5/8	1-5/8
<b>GX264C</b>	4 Sol. - 2/0 Str.	8 Sol. - 4 Str.	2-1/2	3/8	1-3/4	1-2/3
<b>GX2626</b>	4 Sol. - 2/0 Str.	4 Sol. - 2/0 Str.	2-1/2	3/8	1-3/4	1-2/3
<b>GX294C</b>	2/0 Sol. - 250	8 Sol. - 4 Str.	2-3/4	3/8	1-7/8	1-7/8
<b>GX2926</b>	2/0 Sol. - 250	4 Sol. - 2/0 Str.	2-1/2	3/8	1-7/8	1-7/8
<b>GX2929</b>	2/0 Sol. - 250	2/0 Sol. - 250	2-3/4	3/8	1-7/8	1-7/8
<b>GX344C</b>	300 - 500	8 Sol. - 4 Str.	2-3/4	3/8	2-1/8	1-7/8
<b>GX3426</b>	300 - 500	4 Sol. - 2/0 Str.	2-3/4	3/8	2-1/8	1-7/8
<b>GX3429</b>	300 - 500	2/0 Sol. - 250	2-3/4	3/8	2-1/8	1-7/8
<b>GX3434</b>	300 - 500	300 - 500	4-1/4	1/2	2-5/8	2-5/8

## TYPE GG

### GROUND CONNECTOR

For Copper Bar, Strap, Braid or Cable to Rod or Tube

High copper alloy ground connector for joining bar, strap, braid or cable to rod or tube. High copper alloy cast body, DURIMUM™ U-boils, nuts and lockwashers make the GG particularly effective for use with braid for ground rods, switch handles, fence posts and gates. One-wrench installation.



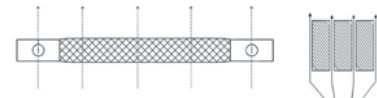
Catalog Number	Conductor		A	H	J	W
	Tube I.P.S. **	Rod				
GG15-1	1	1-1/8 - 1-1/4	1	3-3/8	3/8	2-5/8
GG16-1	1-1/4	1-3/8 - 1-1/2		3		
GG17-1	1-1/2	1-5/8 - 1-7/8		3-1/2		3-1/4
GG17-15			1-1/2	3-3/4		
GG18-1	2	2 - 2-3/8	1	4-1/4	1/2	4-1/8
GG18-15			1-1/2	3-3/4		
GG18-2			2	4-1/8		
GG19-2	2-1/2	2-1/2 - 2-7/8	2	4-3/8	5	4-5/8
GG19-25			2-1/2	5-1/5		
GG20-2	3	3 - 3-1/2	2	6-3/8	1/2	5-1/4
GG20-25			2-1/2			5-1/4
GG20-3			3			5-3/4
GG21-2	3-1/2	3-1/2 - 4	2	5-7/8	1/2	5-3/4
GG21-25			2-1/2			
GG21-3			3			
GG21-35			3-1/2			
GG22-2	4	4 - 4-1/2	2	6-1/2	1/2	6-1/4
GG22-25			2-1/2			
GG22-3			3			
GG22-4			4			
GG24-2	5	—	2	7-5/8	1/2	7-1/4

NOTE:

\*\* Refer to Section O for tube dimensions.

**FLEXIBLE COPPER BRAID  
JUMPER**

Copper braid is made of tinned, pure copper wire woven and flattened into a rectangular shape for greater flexibility. Seamless, pure copper ferrules are formed and assembled on each end to provide appropriate contact surfaces.



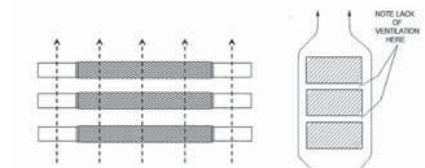
**Fig. 1**  
Conventional current have maximum cooling effect with Braid in vertical position.

Braid is used extensively to compensate for expansion and contraction of moving parts and for thermal movement of rigid devices; to prevent breakage of insulators or bushings or equipment because of misalignment during settling of substation foundations; to absorb shock and vibration of operating equipment; and to provide flexible current carrying leads between moving parts of heavy machinery or equipment.

**BULK BRAID**

Bulk braid can be ordered with a minimum order quantity of 10 feet. Specify feet in number of inches.

Example: 10 feet of 190 ampere braid is Catalog No. BB077L120.

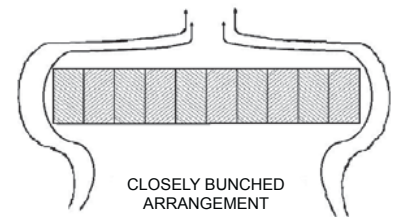


**Fig. 2**  
Ventilation less efficient with Braid in horizontal position

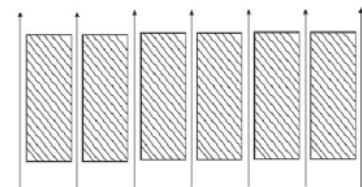
**CURRENT CARRYING  
CAPACITY**

Flexible copper braid has generally better heat dissipation properties than flat bar, cable or other conductors, and therefore can be expected to have a greater current carrying capacity for given cross-sectional area. This is due to its greater surface area resulting from the woven construction of fine strands. However, ventilation, due to the vertical convection current of air, is appreciably better when the long axis of the braid is vertical rather than horizontal, so that the long sides of the braid, rather than the edges, are exposed to the moving air. This is particularly true when spaced braids are used in multiple as can be seen by comparing Figure 1 and 2.

<b>INDOOR RATING AMPS</b>	<b>EQUIV CIRCULAR AREA</b>	<b>CAT NO.</b>	<b>APPROX WEIGHT PER FT</b>
75	24,000	<b>BB024L</b>	0.06
95	48,000	<b>BB048L</b>	0.16
110	67,000	<b>BB067L</b>	0.22
190	77,184	<b>BB077L</b>	0.24
340	153,700	<b>BB154L</b>	0.49
360	231,552	<b>BB226L</b>	0.76
415	300,000	<b>BB300L</b>	1.06



**CLOSELY BUNCHED  
ARRANGEMENT**



**OPEN ARRANGEMENT**  
Cooling due to convection current much more effective with spaced Braid

To take full advantage of ventilation, the cooling convection current of air should be permitted to flow freely between the braids. Therefore, if possible, the braids should be spaced apart, rather than bunched together, as illustrated in Figure 3. The effectiveness of spacing is, of course, greater when the braids are in a vertical position.

**Fig. 3**

## FLEXIBLE COPPER BRAID

### CUSTOM DESIGNS

Flexible copper braid offers an economical and efficient means of protecting electrical equipment from the potentially harmful effects of shock and vibration, terminal expansion, movement of components and misalignment that may occur during the service life of the equipment.

Many varieties of braid are required to meet those needs which we can build to your specifications.

We also offer engineering assistance in the selection of the most appropriate standard or custom braid configuration for your application.

### CUSTOM VARIATIONS

#### Drilling

- \* Undrilled
- \* Elongated (slotted) holes
- \* Special hole patterns and location
- \* Metric
- \* NEMA

#### Plating

- \* Tin
- \* Silver
- \* Nickel
- \* Unplated

#### Length

- \* Jumper (overall)
- \* Ferrule(s) contact

#### Insulated (covered)

- \* Tubular
- \* Heat shrink

#### Split Braid Assemblies

- \* Stacked
- \* Side-by-side

#### Multiple Ferrules

#### Preformed Configurations

- \* Offset contact surfaces
- \* Angular (e.g. 90°, 180°) bends
- \* Ferrule contact surfaces rotated 90° on braid axis

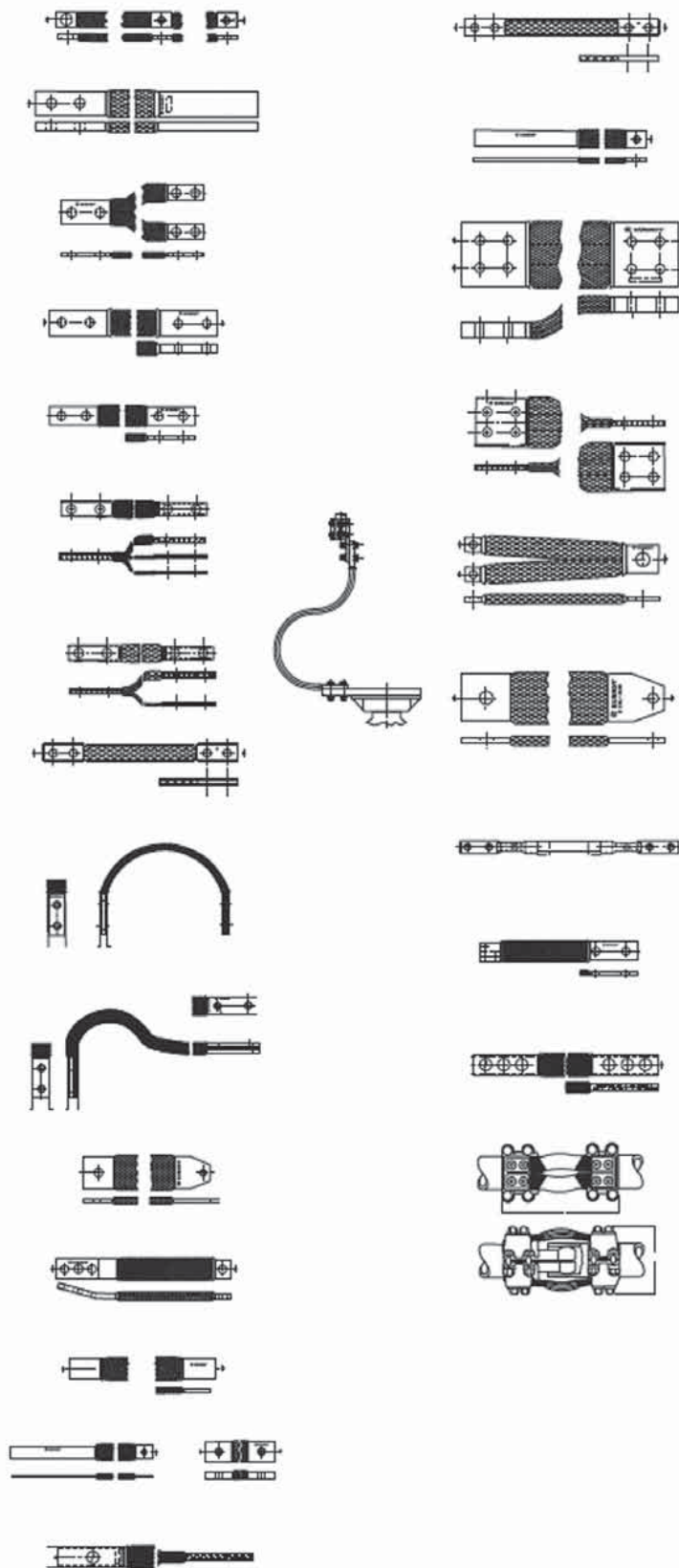
#### Combined Braid Assemblies

#### Combined connector - Braid Assemblies

#### Ferrule Variations

- \* Belled/unbelled
- \* Width/thickness
- \* Contact length
- \* Special shaping
- \* Bent at angle°

#### High Ampacity Requirements

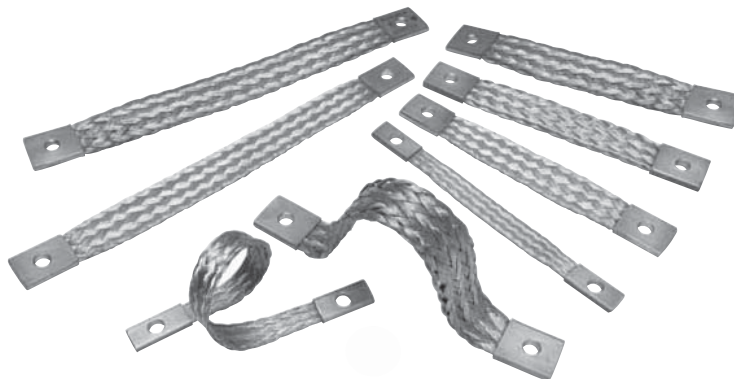




**TYPE B**

**1-Hole Ferrule End Flexible Copper Braid, Bonding Jumpers, Bonding Straps**

Flexible copper braid jumpers designed to take up linear expansion and contraction, compensate for misalignment and absorb vibratory movement of electrical equipment and devices. Made of flat extra flexible tinned pure copper braid with high quality BURNDY ferrules on each end. Other lengths, plating and connector sizes are available; contact BURNDY for more information.



Catalog Number	AWG Equivalent	Length (inches)	End Type	Stud Hole	Approximate Ampere Rating	
					Indoor	Outdoor
BB024L6T14*	#6 AWG	6.00	Ferrule	1/4	75	100
BB024L9T14*	#6 AWG	9.00	Ferrule	1/4	75	100
BB036L9T14*	#5 AWG	9.00	Ferrule	1/4	85	125
BB036L12T14*	#5 AWG	12.00	Ferrule	1/4	85	125
BB036L18T14*	#5 AWG	18.00	Ferrule	1/4	85	125
BB048L6T14*	#4 AWG	6.00	Ferrule	1/4	95	150
BB048L9T14*	#4 AWG	9.00	Ferrule	1/4	95	150
BB067L6T14	#2 AWG	6.00	Ferrule	1/4	110	180
BB067L9T14	#2 AWG	9.00	Ferrule	1/4	110	180
BD6T14	#1 AWG	6.00	Ferrule	1/4	190	225
BD9T14	#1 AWG	9.00	Ferrule	1/4	190	225
BE12T716	3/0 AWG	12.00	Ferrule	7/16	340	405
BE18T716	3/0 AWG	18.00	Ferrule	7/16	340	405
BE12T58	3/0 AWG	12.00	Ferrule	5/8	340	405
BE18T58	3/0 AWG	18.00	Ferrule	5/8	340	405
BE24T58	3/0 AWG	24.00	Ferrule	5/8	340	405
BE6T716	3/0 AWG	6.00	Ferrule	7/16	340	405
BF6T716	4/0 AWG	6.00	Ferrule	7/16	360	430
BF12T716	4/0 AWG	12.00	Ferrule	7/16	360	430
BF18T716	4/0 AWG	18.00	Ferrule	7/16	360	430
BG6T716	300 kcmil	6.00	Ferrule	7/16	415	495
BG8T716	300 kcmil	8.00	Ferrule	7/16	415	495
BG12T716	300 kcmil	12.00	Ferrule	7/16	415	495
BG12T12	300 kcmil	12.00	Ferrule	1/2	415	495

\* Not CSA Certified

## TYPE B

### Flexible Copper Braid

Flexible copper braid jumpers designed to take up linear expansion and contraction, compensate for misalignment and absorb vibratory movement of electrical equipment and devices.

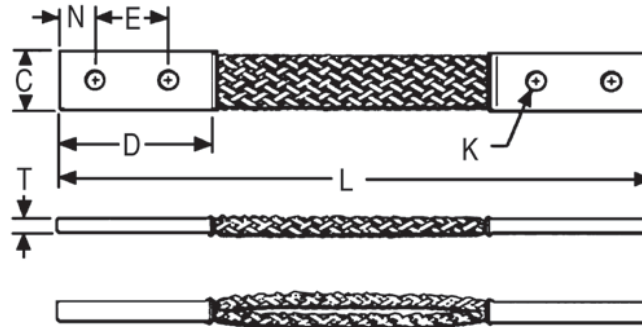
Made of flat extra flexible, tinned, pure copper braid, with unplated, seamless, pure copper ferrules formed into a rectangular shape on each end.

Last two numbers in catalog number indicate total length of braid in inches (e.g., BD12N or BD12 is 12" long braid jumper).

Other lengths, plating and drilling are available. Contact the factory.



Catalog # Prefix	Equiv. AWG Size
BD	#1
BE	3/0
BF	4/0
BG	300 kcmil



Catalog Number	Number of Braids in Ferrules	C	D	E	K	L	N	T	Approximate Ampere Rating	
									Indoor	Outdoor
BD12 ②	1	0.94	2.50	1.25	0.44	12	0.62	0.13	190	225
BD12N ②	1	0.94	3.00	1.75	0.56	12	0.62	0.13	190	225
BD18 ②	1	0.94	2.50	1.25	0.44	18	0.62	0.13	190	225
BD18N ②	1	0.94	3.00	1.75	0.56	18	0.62	0.13	190	225
BD24 ②	1	0.94	2.50	1.25	0.44	24	0.62	0.13	190	225
BD24N ②	1	0.94	3.00	1.75	0.56	24	0.62	0.13	190	225
BE12 ②	1	1.50	3.00	1.50	0.44	12	0.75	0.17	340	405
BE12N ②	1	1.50	3.00	1.75	0.56	12	0.62	0.17	340	405
BE18 ②	1	1.50	3.00	1.50	0.44	18	0.75	0.17	340	405
BE18N ②	1	1.50	3.00	1.75	0.56	18	0.62	0.17	340	405
BE24 ②	1	1.50	3.00	1.50	0.44	24	0.75	0.25	340	405
BE24N ②	1	1.50	3.00	1.75	0.56	24	0.62	0.17	340	405
BF12 ②	1	1.19	3.00	1.50	0.44	12	0.75	0.25	360	430
BF12N ②	1	1.19	3.00	1.75	0.55	12	0.62	0.25	360	430
BF18 ②	1	1.19	3.00	1.50	0.44	18	0.75	0.25	360	430
BF18N ②	1	1.19	3.00	1.50	0.44	18	0.75	0.25	360	430
BF24 ②	1	1.19	3.00	1.50	0.44	24	0.75	0.25	360	430
BF24N ②	1	1.19	3.00	1.75	0.56	24	0.62	0.25	360	430
BG12	1	1.50	3.00	1.50	0.44	12	0.75	0.25	415	495
BG12N ①	1	1.50	3.00	1.75	0.56	12	0.62	0.25	415	495
BG18	1	1.50	3.00	1.50	0.44	18	0.75	0.25	415	495
BG18N ①	1	1.50	3.00	1.75	0.56	18	0.62	0.25	415	495
BG24	1	1.50	3.00	1.50	0.44	24	0.75	0.25	415	495
BG24N ①	1	1.50	3.00	1.75	0.56	24	0.62	0.25	415	495

① Tongue drilled per (2) hole NEMA Standard

② Certified to CSA C22.2, No. 41 Grounding and Bonding Equipment Standards in addition to the UL467 Listing which all items above are Listed to.

NOTE: Equivalent sizes may be designated by suffix letters representing variations in length, mounting configurations, pad size and finish. Contact factory for details. For Tin plated ferrules add suffix -TN to the catalog number.

**TYPE B**

**Flexible Copper Braid (Continued)**



Catalog Number	Number of Braids in Ferrules	C	D	E	K	L	N	T	Approximate Ampere Rating	
									Indoor	Outdoor
B2D12 ②	2	0.94	2.5	1.25	0.44	12	0.62	0.25	380	455
B2D12N ②	2	0.94	3.00	1.75	0.56	12	0.62	0.25	380	455
B2E12	2	1.62	3.00	1.50	0.44	12	0.75	0.25	530	635
B2E12N ①	2	1.62	3.00	1.75	0.56	12	0.62	0.25	530	635
B2F12	2	1.38	3.00	1.50	0.44	12	0.75	0.38	600	720
B2F12N ①	2	1.38	3.00	1.75	0.56	12	0.62	0.38	600	720
B2G12N ①	2	1.50	3.00	1.75	0.56	12	0.62	0.50	700	840
B3D12	3	1.19	2.50	1.25	0.44	12	0.62	0.25	470	560
B3D12N ②	3	1.19	3.00	1.75	0.56	12	0.62	0.25	470	560
B3E12	3	1.64	3.00	1.50	0.44	12	0.75	0.31	700	840
B3E12N ①	3	1.64	3.00	1.75	0.56	12	0.62	0.31	700	840
B3F12	3	1.44	3.00	1.50	0.44	12	0.75	0.56	820	980
B3F12N ①	3	1.44	3.00	1.75	0.56	12	0.62	0.56	820	980
B3G12	3	1.69	3.00	1.50	0.44	12	0.75	0.69	960	1150
B3G12N ①	3	1.69	3.00	1.75	0.56	12	0.62	0.69	960	1150
B4D12	4	1.19	2.50	1.25	0.44	12	0.62	0.32	600	720
B4D12N ①	4	1.19	3.00	1.75	0.56	12	0.62	0.32	600	720
B4E12	4	1.64	3.00	1.50	0.44	12	0.75	0.38	850	1020
B4E12N ①	4	1.64	3.00	1.75	0.56	12	0.62	0.38	850	1020
B4F12	4	1.50	3.00	1.50	0.44	12	0.75	0.78	1000	1200
B4F12N ①	4	1.50	3.00	1.75	0.56	12	0.62	0.78	1000	1200
B4G12N ①	4	1.69	3.00	1.75	0.56	12	0.62	0.94	1200	1440

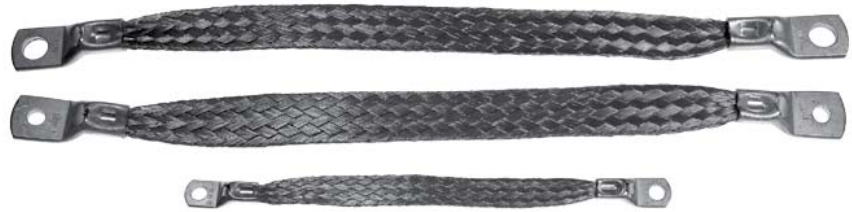
- ① Tongue drilled per (2) hole NEMA Standard
- ② Certified to CSA C22.2, No. 41 Grounding and Bonding Equipment Standards in addition to the UL467 Listing which all items above are Listed to.

**NOTE:**  
Equivalent sizes may be designated by suffix letters representing variations in length, mounting configurations, pad size and finish. Contact factory for details. For Tin plated ferrules add suffix -TN to the catalog number.

## TYPE BB-LT

### 1-Hole Connector End Flexible Copper Braid, Bonding Jumpers, Bonding Straps

Flexible copper braid jumpers designed to take up linear expansion and contraction, compensate for misalignment and absorb vibratory movement of electrical equipment and devices. Made of flat extra flexible tinned pure copper braid with high quality BURNDY tin plated connectors on each end. Other lengths, plating and connector sizes are available; contact BURNDY for more information.



Catalog Number	AWG Equivalent	Length (inches)	End Type	Stud Hole
BB024L8LT14	#6 AWG	8.00	Connector	1/4
BB024L12LT14	#6 AWG	12.00	Connector	1/4
BB024L18LT14	#6 AWG	18.00	Connector	1/4
BB024L24LT14	#6 AWG	24.00	Connector	1/4
BB048L12LT14	#4 AWG	12.00	Connector	1/4
BB048L18LT14	#4 AWG	18.00	Connector	1/4
BB048L24LT14	#4 AWG	24.00	Connector	1/4
BB048L12LT38	#4 AWG	12.00	Connector	3/8
BB048L18LT38	#4 AWG	18.00	Connector	3/8
BB048L24LT38	#4 AWG	24.00	Connector	3/8
BB048L12LT12	#4 AWG	12.00	Connector	1/2
BB048L18LT12	#4 AWG	18.00	Connector	1/2
BB048L24LT12	#4 AWG	24.00	Connector	1/2

**TYPES CCY, B-B**

**Covered Jumpers**

Insulated flexible copper braid jumpers designed to take up linear expansion and contraction, compensate for misalignment and absorb vibratory movement of electrical equipment and devices. Made of extra flexible tinned pure copper braid with high quality BURNDY tin plated connectors or ferrules on each end. Other lengths, plating, insulation colors and connector sizes are available; contact BURNDY for more information.

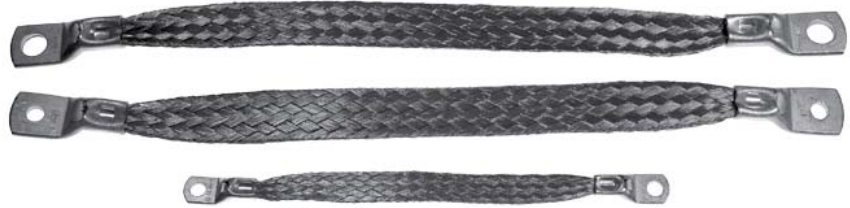


Catalog Number	AWG Equivalent	Length (inches)	End Type	Stud Hole	Heat Shrink Color		
CCY106LT12G	#10 AWG	6.00	Connector	1/2	Green		
CCY10L9T12G		9.00		1/2			
CCY10L12T12G		12.00		1/2			
CCY10L18T12G		18.00		1/2			
CCY10L24T12G		24.00		1/2			
CCY10L12LT1090G		12.00		#8-#10		Green	
CCY10L18LT1090G		18.00		#8-#10			
CCY10L24LT1090G		24.00		#8-#10			
CCY10L6LT38G		6.00		Connector		3/8	Green & Yellow
CCY10L9LT38G		9.00				3/8	
CCY10L12LT38G		12.00				3/8	
CCY10L18LT38G		18.00				3/8	
CCY10L24LT38G		24.00				3/8	
CCY10L7T14GY		7.00				1/4	
CCY10L9T14GY	9.00	1/4					
CCY10L12LT14GY	12.00	1/4					
CCY10L14LT14GY	14.00	1/4					
CCY10L18LT14GY	18.00	1/4					
BB024L12LT14B	#6 AWG	12.00	Connector	1/4	Black		
BB024L18LT14B		18.00		1/4			
BB024L24LT14B		24.00		1/4			
BD12NB	#1 AWG	12.00	Ferrule	2 hole NEMA	Black		
BD18NB		18.00		2 hole NEMA			
BD24NB		24.00		2 hole NEMA			

## TYPE BB-SS

### Stainless Steel Braid

Flexible stainless steel braid jumpers designed to take up linear expansion and contraction, compensate for misalignment and absorb vibratory movement of electrical equipment and devices. Made of flat extra flexible stainless steel braid with high quality BURNDY tin plated connectors or ferrules on each end. Other lengths, plating and connector sizes are available; contact BURNDY for more information.



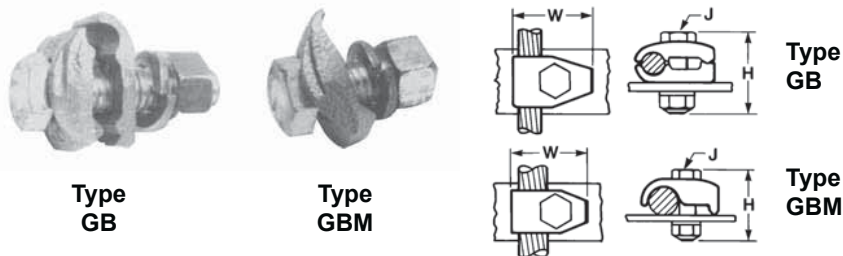
Catalog Number	AWG Equivalent	Length (inches)	End Type	Stud Hole
BB024SSL6LT516	#6 AWG	6.00	Connector	5/16
BB024SSL9LT516		9.00		5/16
BB024SSL12LT516		12.00		5/16
BB024SSL6LT38		6.00		3/8
BB024SSL9LT38		9.00		3/8
BB024SSL12LT38		12.00		3/8
BB024SSL6LT14		6.00		1/4
BB024SSL9LT14		9.00		1/4
BB024SSL12LT14		12.00		1/4
BB024SSL6T14		6.00	Ferrule	1/4

**TYPES GB, GBM**

**Ground Connector**

**For Copper Cable to Bar**

High copper alloy ground connector for joining a range of cable to 1/4" thick bar.\* Type GB separates cable from bar, GBM clamps cable directly on bar surface. One-wrench installation. UL467 Listed. The high copper alloy cast body and DURIMUM™ bolts, nuts, and lockwashers make the GB and GBM suitable for direct burial in concrete or ground.



**NOTE:**

\* The GB, GBM, GC, GCM, GL and GZ are all used for joining a range of cable to bar. The catalog numbers in each table accommodate the indicated cable range and up to 1/4" thick bar. Optional bolt lengths are available to accommodate up to 1" thick bar. For bar thicknesses from 1/4" to 1/2", add the suffix "T4" to the catalog number in the table. For bar thicknesses from 1/2" to 1", add the suffix "T8" to the catalog number in the table.

Catalog Number		Cable	H Type GB / GBL	H Type GBM	J	W Type GB/ GBL	W Type GBM	Rec. Torque
Type GB	Type GBM							
GB4C	GBM4C	8 AWG-4 AWG	1-1/2	1-1/2	3/8	1-1/4	1-1/4	240
GB26	GBM26	4 AWG-2/0 AWG	2	1-1/2	3/8	1-1/2	1-1/2	240
GBL30 <sup>①</sup>	—	4 AWG-300 kcmil	2	—	1/2	1-7/8	—	480
GB29	GBM29	2/0 AWG-250 kcmil	2	2	1/2	2	2	480
GB34	GBM34	300 kcmil-500 kcmil	3	2-1/4	1/2	2-3/8	2-3/8	480

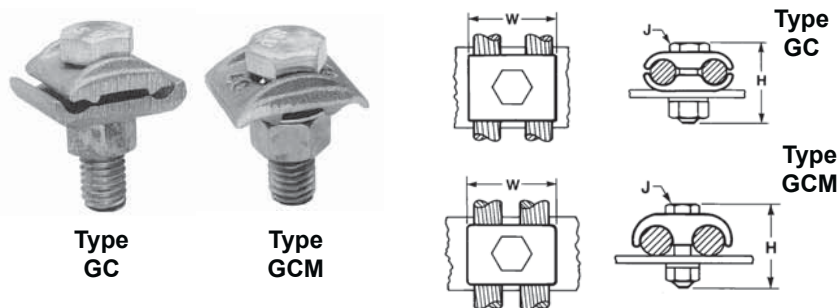
① GBL30 is not UL Listed

**TYPES GC, GCM**

**Ground Connector**

**For Two Copper Cables to Bar**

High copper alloy ground connector for joining a wide range of two parallel cables to 1/4" thick bar.\* Type GC separates cable from bar, GCM clamps cable to bar surface. One-wrench installation. UL467 Listed. The high copper alloy cast body and DURIMUM™ bolts, nuts, and lockwashers make the GC and GCM suitable for direct burial in concrete or ground.



**NOTE:**

\* The GB, GBM, GC, GCM, GL and GZ are all used for joining a range of cable to bar. The catalog numbers in each table accommodate the indicated cable range and up to 1/4" thick bar. Optional bolt lengths are available to accommodate up to 1" thick bar. For bar thicknesses from 1/4" to 1/2", add the suffix "T4" to the catalog number in the table. For bar thicknesses from 1/2" to 1", add the suffix "T8" to the catalog number in the table.

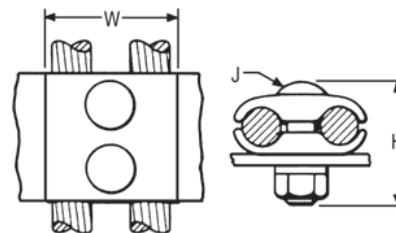
Catalog Number		Cable	H Type GC	H Type GCM	J	W Type GC/GCL	W Type GCM	Rec. Torque
Type GC	Type GCM							
GC4C4C	GCM4C	8 AWG-4 AWG	1-1/2	1-1/2	3/8	1-3/8	1	240
GC2626	GCM26	4 AWG-2/0 AWG	2	1-1/2	3/8	1-3/4	1-3/8	240
GCL30	—	5 AWG-300 kcmil	2	—	1/2	1	—	480
GC2929	GCM29	2/0 AWG-250 kcmil	2-1/4	2	1/2	2-1/4	2	480
GC3434	GCM34	300 kcmil-500 kcmil	2-7/8	2-1/4	1/2	2-7/8	2-5/8	480

## TYPE GL

### Ground Connector

#### For Two Copper Cables to Bar

High copper alloy ground connector for joining a wide range of two parallel cables to 1/4" thick bar.\* Two-bolt design, separates cable from bar. One-wrench installation. UL467 Listed. The high copper alloy cast body and DURIUIM™ bolts, nuts, and lockwashers make them suitable for direct burial in concrete or ground.



Catalog Number	Conductor	H	J	W
GL4C4C	8 AWG-4 AWG	1-1/2	3/8	1-3/8
GL2626	4 AWG-2/0 AWG	2	3/8	1-3/4
GL2929	2/0 AWG-250 kcmil	2-1/4	1/2	2-1/4
GL3434	300 kcmil-500 kcmil	2-7/8	1/2	2-7/8

#### NOTE:

\* The GB, GBM, GC, GCM, GL and GZ are all used for joining a range of cable to bar. The catalog numbers in each table accommodate the indicated cable range and up to 1/4" thick bar. Optional bolt lengths are available to accommodate up to 1" thick bar. For bar thicknesses from 1/4" to 1/2", add the suffix "T4" to the catalog number in the table. For bar thicknesses from 1/2" to 1", add the suffix "T8" to the catalog number in the table.

## TYPE GZ

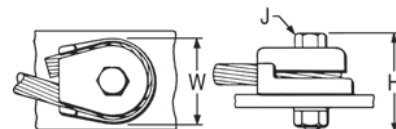
### Ground Connector

#### For Copper Cable to Bar

High copper alloy ground connector for joining a wide range of cable to 1/4" thick bar\*. Cable is gripped by curving it around the clamping bolt in connector groove. UL467 Listed. The high copper alloy cast body and DURIUIM™ bolts, nuts, and lockwashers make them suitable for direct burial in concrete or ground.

#### NOTE:

\* The GB, GBM, GC, GCM, GL and GZ are all used for joining a range of cable to bar. The catalog numbers in each table accommodate the indicated cable range and up to 1/4" thick bar. Optional bolt lengths are available to accommodate up to 1" thick bar. For bar thicknesses from 1/4" to 1/2", add the suffix "T4" to the catalog number in the table. For bar thicknesses from 1/2" to 1", add the suffix "T8" to the catalog number in the table.



Catalog Number	Conductor	H	J	W
GZ4C-38	8-4	1-1/2	3/8	1-1/8
GZ4C-12	8-4	1-7/8	1/2	1-3/4
GZ4C-58	8-4	2	5/8	1-3/4
GZ26-38	3-2/0	2	3/8	1-5/8
GZ26-12	3-2/0	2-1/8	1/2	1-3/4
GZ26-58	3-2/0	2-1/4	5/8	1-3/4
GZ29-38	3/0-250	2-1/4	3/8	2-1/4
GZ29-12	3/0-250	2-3/8	1/2	2-1/4
GZ29-58	3/0-250	2-1/2	5/8	2-1/4

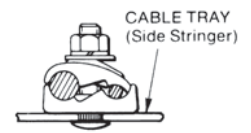
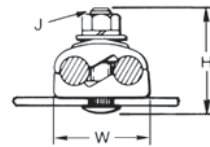
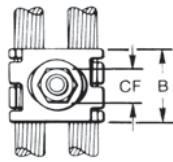




**TYPE GC-CT**

**Cabletray Ground Clamp**

This unique connector incorporates features which are unmatched. Made of tin-plated cast copper alloy, it accommodates either one or two conductors, copper or aluminum cable. In addition to a low profile head with a deep Phillips recess, the galvanized steel bolt has a ribbed neck which prevents rotation during installation when installed in a 0.44 diameter hole. When used on aluminum conductor, the cable must be scratch brushed and PENETROX™ A joint compound must be used on cable and connector. UL467 Listed for copper conductor only. Suitable for direct burial in concrete or earth.



Catalog Number	Accommodates Copper or Aluminum Conductor in either groove	B	CF	H	J	W
GC2525CT	#6 Sol. (0.16 Dia.) - 1/0 Str. (0.37 Dia.)	1.12	0.56	1.95	3/8	1.45
GC2626CT	#2 Sol. (0.26 Dia.) - 2/0 Str. (0.42 Dia.)	1.12	0.56	1.95	3/8	1.70
GC2929CT	2/0 Str. (0.41 Dia.) - 250 kcmil (0.58 Dia.)	1.12	0.56	2.20	3/8	1.98

**NOTE:**

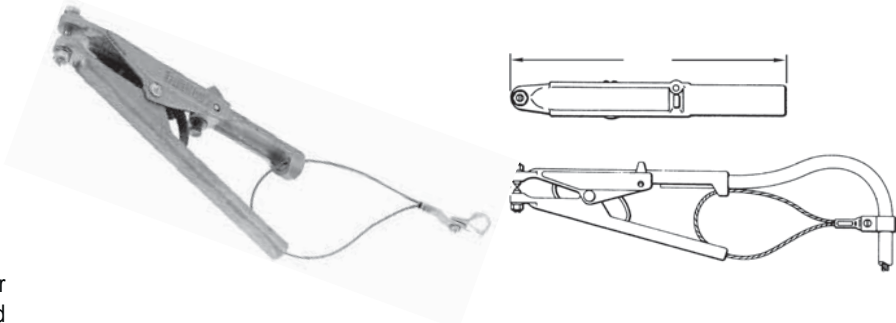
The bolt head is mounted on the inside wall of cabletray to avoid damage to the cable insulation. May be used with aluminum or galvanized steel cabletray.

## TYPE GIE-G

### Ground Connector

For Vehicle Grounding Heavy Duty Construction

High-strength copper alloy ground clamps for grounding gasoline trucks, tank cars, aircraft and other vehicles where danger of explosion due to static electricity exists. Corrosion resistant and supplied with nonsparking, adjustable, replaceable contact grip screws. Automatic safety release disconnects should a vehicle unexpectedly move from the grounded area. Accommodates 4 Str. flexible copper cable.



Catalog Number	Description	Material	Point Configuration
<b>GIE4CG3</b>	Assembly Beryllium Copper	Beryllium Copper	Assembly
<b>GIE4CG4</b>	Assembly Stainless Steel	Stainless Steel	Assembly

Replacement Tips Only			
Catalog Number	Description	Material	Point Configuration
<b>GIE4CG3P5</b>	Beryllium Copper CONE Point Only	Beryllium Copper	Cone Point
<b>GIE4CG3P7</b>	Beryllium Copper CUP Point Only	Beryllium Copper	Cup Point
<b>GIE4CG4P5</b>	Stainless Steel CONE Point Only	Stainless Steel	Cone Point
<b>GIE4CG4P7</b>	Stainless Steel CUP Point Only	Stainless Steel	Cup Point

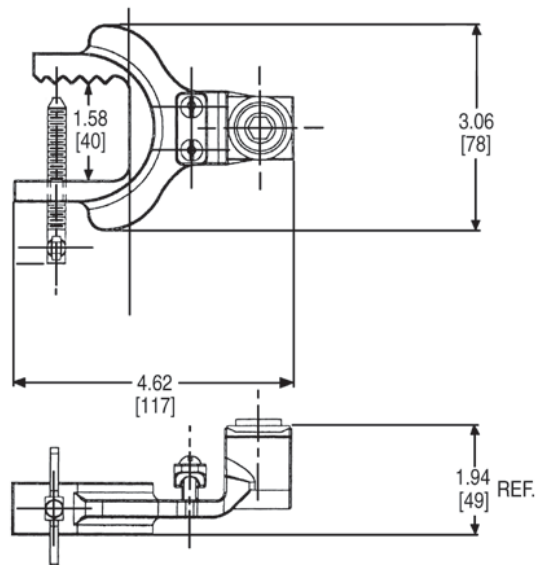
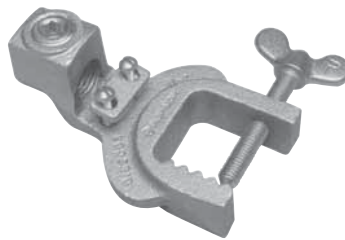
## TYPE GIE-G

### Ground Connector

For Vehicle Grounding, Heavy Duty Construction

Accommodates flexible rubber sheath cable ranging from #6 to #2 conductor.

Catalog Number: **GIE2CG3**



**TYPE GCB63T13G1**

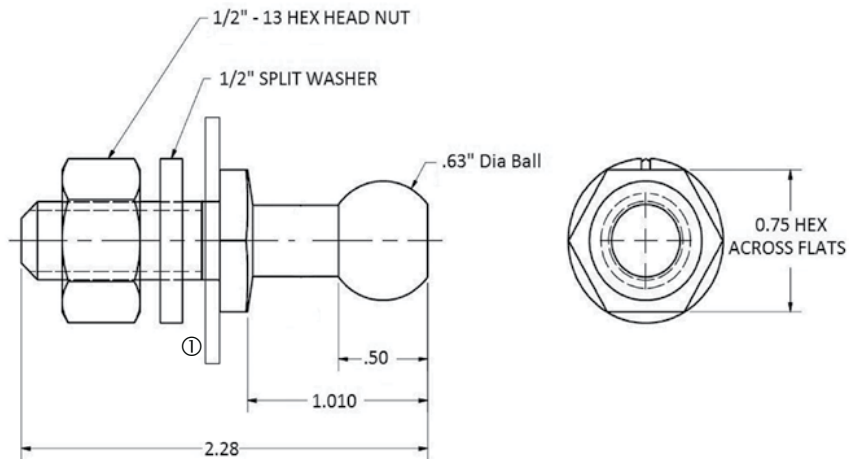
**STUDBUG™ for Static Grounding  
Applications**

GCB63T13G1 is a temporary grounding stud for use on rail cars, chemical trucks, hazardous waste tankers or a petroleum vehicle to allow for static grounding protection, while in operation. It provides a contact point, allowing the rail car, truck or tanker to be grounded to an equipotential grid or ground rod, by using static reel or a ground cable.



**Features & Benefits**

- Made of bronze, and supplied with silicon bronze hardware
- Secured by 1/2" hexagonal nut and split lock washer
- Can be used with universal clamps and ball stud clamps
- Can be used at various angles to reach inaccessible areas
- Add suffix "SS" for grounding stud with stainless steel hardware



Note:  
 ① Can be used with plate, bus bar or structural steel up to 1/4" thick.

## BURNDY® STATIC DISCHARGE REELS

Static Discharge Reels are an excellent addition to the BURNDY® static discharge line of products. These reels are often used to dissipate static charge buildup developed while filling or dispensing fuel or other combustible liquids from fuel trucks or rail cars. Often used in the petroleum industry but applicable in any area where static discharge creates potential hazard.

These reels are heavy duty, of rugged construction and are supplied with a 100 amp universal jaw-type grounding clamp. The reels are available with 100 ft and 50 ft lengths. All reels come with spring rewind and centrifugal brake. The tension can be adjusted on these reels and installation instructions are included to ensure the most efficient mounting method.

Every reel is Proudly Made in the USA and meets the stringent quality expectations of the BURNDY® portfolio of grounding products.



**BSD2050**



**BSD2050N**

### Features & Benefits

- 100 ft and 50 ft cable lengths
- Automatic E-Z PULL™ Rewinding
- Rugged Steel Construction
- Compact Enclosed Design (excluding BSD20100)
- Positive Ratchet Lock with Ratchet On/Off Switch (excluding BSD20100)
- Permanent Ratchet Lock (BSD20100 only)
- Steel Cable Installed
- 100 Amp Universal Jaw-Type Grounding Clamp
- Red Baked-on Finish
- Made in the USA



**BSD2050Y**

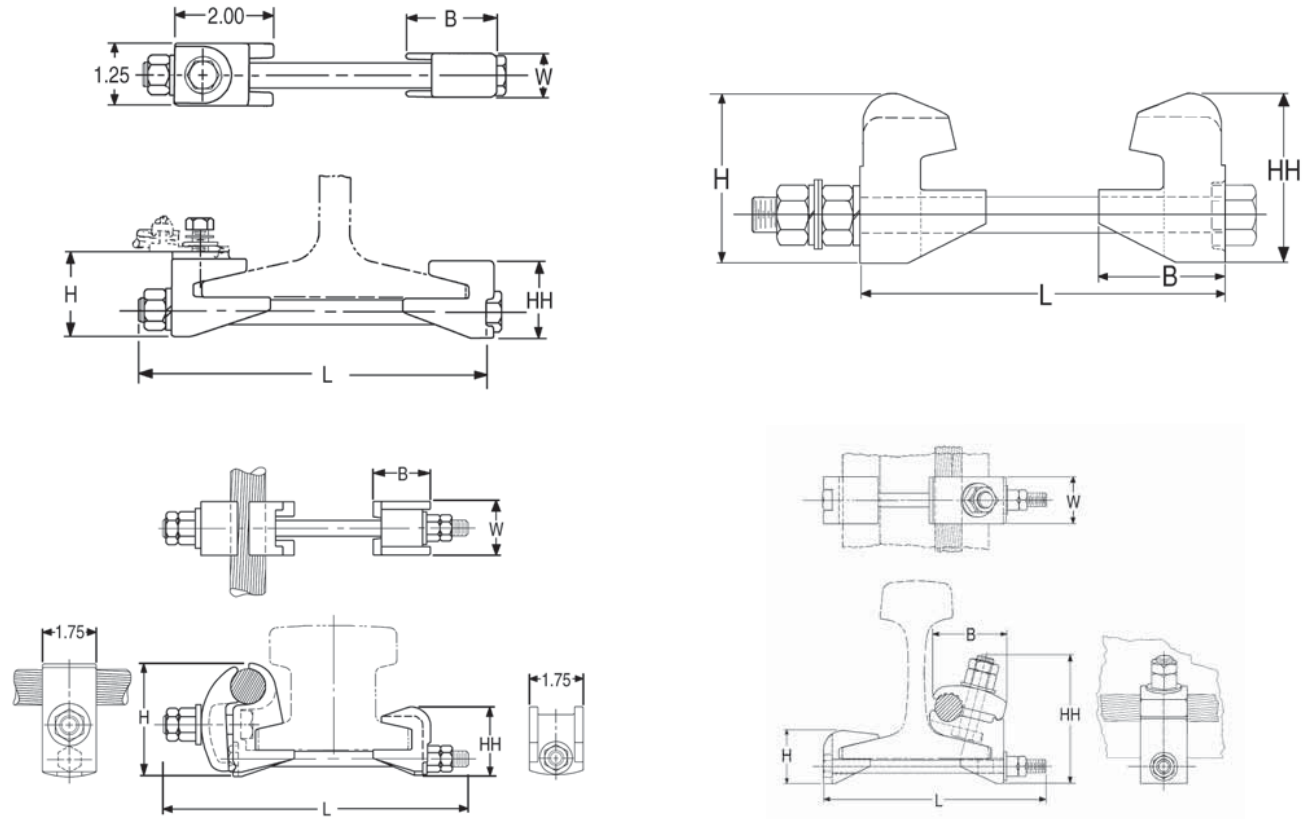


**BSD20100**

Catalog Number	Cable Length	# of Jaw-Type Grounding Clamps	Weight (lb.)
BSD20100	100 feet (Open Reel Design)	1	20
BSD2050	50 feet	1	12
BSD2050N	50 feet (Nylon Covered)	1	12
BSD2050Y	35 feet plus 15 feet of "Y"	2	13

**RAIL CONNECTOR**

Mechanical clamp connectors designed for use in power, contact or running rail applications. Connectors are cast of a high conductivity copper alloy, tin-plated, and assembled with high-strength DURIMUM™ hardware. Connectors designed for extended service life.



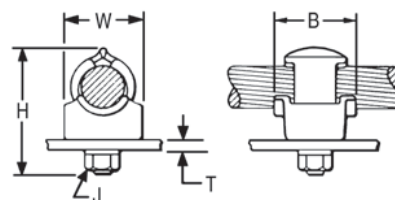
Catalog Number	Fig. No.	Accommodates	B	H	HH	L	W
J278	1	100 Lbs. A.R.E.A Running Rail	1.81	1.88	1.72	7.50	0.88
J279	1	75 or 90 Lbs. Running Rail	1.81	1.71	1.55	7.50	0.88
J280	1	150 Lbs. Contact Rail	2.12	2.08	1.92	7.00	1.25
J295	2	150 Lbs. Third Rail	2.62	3.50	3.50	7.75	3.00
RGC44G1 ①	3	150 Lbs. NMC Contact Rail and (1) 800-1000 kcmil CU Cable	1.75	2.82	2.25	10.00	1.75
RGC39G1 ①	4	115 Lbs. Contact or Running Rail and (1) 500-750 kcmil CU Cable	2.75	2.00	4.78	8.32	1.25

① Tin-plated

## TYPE QGFL

### BARTAP™

For Copper Cable to  
Flat Bar or Pad



High copper alloy BARTAP™ for joining a range of cable to bar or pad. One-wrench installation. DURIUM™ nut and lockwasher. Can be installed side by side or in line on NEMA drilled bar.

Catalog Number	Copper Conductor	B	H	J	T (Max)	W
QGFL1CB1	#10 Sol. - #1 Str.	1-1/8	1-7/8	3/8	1/4	1
QGFL1CB1T6	#10 Sol. - #1 Str.	1-1/8	2-3/8	3/8	3/4	1
QGFL26B1	#8 Sol. - #2/0 Str.	1-1/4	2-1/8	3/8	1/4	1-1/8
QGFL26B1T6	#8 Sol. - #2/0 Str.	1-1/4	2-5/8	3/8	3/4	1-1/8
QGFL26B2*	#8 Sol. - #2/0 Str.	1-1/4	2-8/25	1/2	1/4	1-1/8
QGFL26B2T6*	#8 Sol. - #2/0 Str.	1-1/2	2-40/50	1/2	3/4	1-1/8
QGFL29B1*	#6 Str. - 250 kcmil	1-2/5	2-5/8	1/2	1/4	1-3/8
QGFL29B1T6*	#6 Str. - 250 kcmil	1-5/8	3-1/8	1/2	3/4	1-3/8
QGFL31B1*	2 AWG - 350 kcmil	1-3/4	2-7/8	1/2	1/4	1-5/8
QGFL31B1T6*	2 AWG - 350 kcmil	1-3/4	3-1/4	1/2	3/4	1-5/8
QGFL34B1	1/0 - 500 kcmil	2	3-1/8	1/2	1/4	1-3/4
QGFL34B1T6	1/0 - 500 kcmil	2	3-5/8	1/2	3/4	1-3/4
QGFL39B1	350 kcmil - 750 kcmil	2-1/4	3-1/4	1/2	1/4	1-3/4
QGFL39B1T6	350 kcmil - 750 kcmil	2-1/4	3-5/8	1/2	3/4	1-3/4
QGFL44B1	750 kcmil - 1000 kcmil	2-1/4	3-3/8	1/2	1/4	2-1/8
QGFL44B1T6	750 kcmil - 1000 kcmil	2-1/4	4-1/8	1/2	3/4	2-1/8
QGFL46B1	1000 kcmil - 1500 kcmil	2-1/4	4	1/2	1/4	2-1/2
QGFL46B1T6	1000 kcmil - 1500 kcmil	2-1/4	4-1/2	1/2	3/4	2-1/2
QGFL48B1	1500 kcmil - 2000 kcmil	2-1/4	4-3/4	1/2	1/4	3

\* Can be installed side by side or in line on NEMA drilled bar.

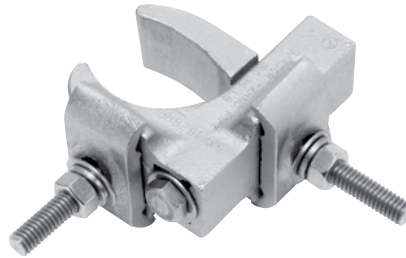
**TYPE GXP1828RF**

**SUPER-CLAMP™**

**RAISED FLOOR / REBAR  
GROUND CONNECTOR**

Raised Floor Pedestal Ground Connector. The GXP1828RF is a versatile, easy to install, range taking ground connector. This grounding clamp accepts a wide range of pedestals and conductors. Accepted pedestal range is 3/4" through 2" (7/8 - 2" round; 3/4" - 1-1/2" square). The wire range is #6 solid to 4/0 stranded. The wires can be arranged in a parallel or cross grid configuration - accepts 1 or 2 wires.

UL Listed for the US and Canadian markets (cULus). The high copper alloy body ensures excellent conductivity and the hardware is made of stainless steel. The connector is also rated for Direct Burial. The versatility of the connector makes it an excellent choice for applications requiring multiple conductor sizes and/or configurations.



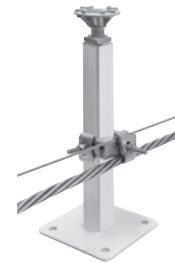
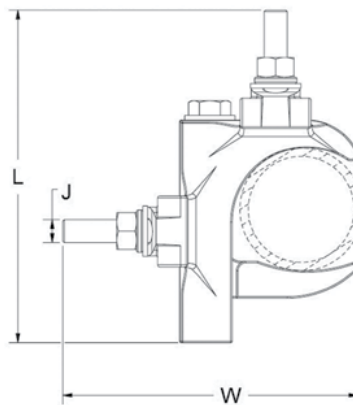
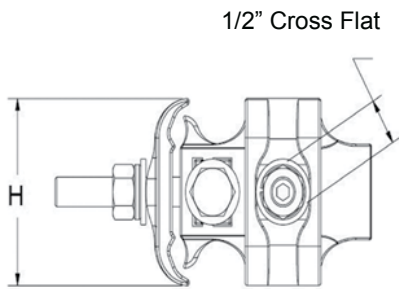
**Rebar Connection**

**Features & Benefits**

- Fits a wide range of raised floor pedestals, from 3/4" to 2" (7/8 - 2" round; 3/4" - 1-1/2" square)
- Accepts a wide range of wire sizes, from #6 solid to 4/0 stranded
- Can be used for rebar sizes ranging from #7 - #12 size (7/8" - 1-1/2" Dia.)
- Accommodates parallel wires or cross grid arrangements; wires can be installed in cross grid configuration
- Accepts one or two wires in any configuration
- Easy to install - open design eliminates need to disassemble before installing
- One socket size fits all hardware! (1/2" socket size)
- Made of high copper alloy
- Stainless steel hardware
- UL Listed for the US and Canadian markets (cULus)
- Rated for Direct Burial



**Cross Grid Configuration**



**Parallel Configuration**

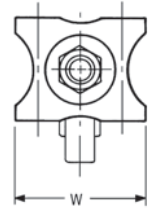
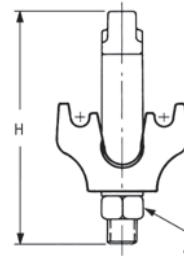
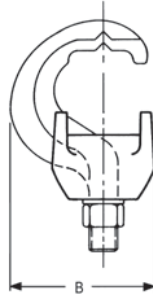
Catalog Number	Copper Conductor Range (Concentric & Compact Stranded 19 Str. Max)	Pedestal Range	Rebar	Reference Dimensions				Recommended Tightening Torque (in-lb.)	
				L	W	H	J	Conductor Saddle (Nut)	Pedestal Clamp or Rebar (Bolt)
GXP1828RF	6 AWG - 4/0 AWG	Round: 7/8" - 2" Square: 3/4" - 1-1/2"	Rebar Size: 7/8" - 1-1/2" (#7 - #12)	4.53	3.94	1.96	5/16	120	180

## TYPE GRF

### UNIGROUND™

#### UNIGROUND™ Raised Floor Grounding Connector

The BURNDY® UNIGROUND™ is a universal grounding clamp, specifically designed for all raised flooring systems. It can be installed on round or square pedestals and can accommodate one or two grounding wires to make an efficient grid. The underfloor signal reference grid provides the low impedance ground path that attenuates high frequency static and 60 Hz transient noise for cleaner data output. UL467 Listed.



### Features & Benefits

- One connector fits all applications
- Ease of specification and installation
- Single bolt design
  - Ease of installation:
    - No need to disassemble
    - Single wrench installation
- Accepts 1 or 2 ground conductors
- Requires less connectors to install signal reference grid
- Tin plated cast bronze construction
- Resists corrosion and provides extended life ground connection
- Grounds all pedestals (round or square). Will handle up to 7/8" square and 1" round
- Ease of installation. One connector does it all
- Serves 3 needs:
  1. Signal Reference Grid
  2. Static Ground
  3. Fault Current Ground
- UNIGROUND™ solves all possible grounding problems found in computer applications today

Catalog Number	Number of Conductors	Conductor Size Sol. & Str.	Pedestal Type		B	H	J	W
			Round	Square				
GRF4C-3	1 or 2	#8 - #2	Up to 1"	Up to 7/8"	1.96	3.14	3/8	1.76
GRF4C-4	1 or 2	#8 - #2	Up to 3/4"	Up to 5/8"	1.79	3.13	3/8	1.40

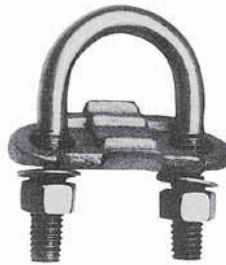


**TYPES GP-G1, GP-RT**

**Raised Floor Grounding  
Clamps**

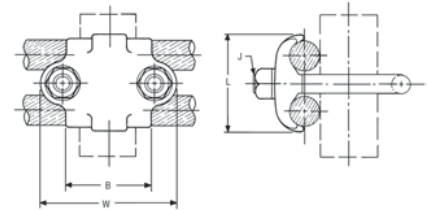
High copper alloy ground connector for raised floor computer grounding applications. These connectors can be installed on round and square pedestal applications and will accommodate one or two grounding wires to make an efficient grid. The underfloor signal reference grid provides the low impedance ground path that attenuates high frequency static and 60 Hz transient noise for cleaner data output. UL467 Listed.

In addition we offer the GP1726RT, which is specifically designed for penetrating epoxy paint on pedestals. This patented connector offers a low impedance, time saving connection between conductors and the pedestal.



**Features & Benefits**

- Accepts 1 or 2 Ground Conductors
- Requires less connectors to install signal reference grid
- Made of copper alloy
- DURIUM™ U-Bolts, nuts and lockwashers
- Provides a low impedance ground path for maximum performance
- Grounds all pedestals (round or square)
- Will handle from 3/4" to 1" round or square
- Ease of installation.
- Serves 3 needs :
  1. Signal Reference Grid
  2. Static Ground
  3. Fault Current Ground
- Connectors solve all possible grounding problems found in computer applications today



Catalog Number	Number of Conductors	Conductor Size Sol. & Str.	Pedestal Size/ Type	B	J	L	W
GP654CG1	1 or 2	#8 Sol. - 4 Str.	3/4" - 1" Round 3/4" - 7/8" Square	1.50	3/8	1.31	2.38
GP64526G1	1 or 2	#4 Sol. - 2/0 Str.		1.50	3/8	1.69	2.38
GP64528G1	1 or 2	#4 Sol. - 4/0 Str.		1.50	3/8	1.69	2.38
GP1526G1	1 or 2	#4 Sol. - 2/0 Str.	1-1/4" Round	1.75	3/8	1.69	2.62
GP1726RT	1 or 2	#6 Sol. - 2/0 Str.	2" Round	2.12	3/8	1.50	3.22
GP1726G1	1 or 2	#6 Sol. - 2/0 Str.	2" Round	2.12	3/8	1.50	3.22

## TYPE BBB

### BURNDY® Bus Bar

#### Copper Bus Bar



Bare copper BusBar, UL Listed for grounding. Available in many sizes and hole patterns. Brackets and insulators included with most styles. Also available in undrilled, horizontal and vertical versions. BusBar is used in a variety of applications. Can be used as a common ground point and "power" applications as well.



Catalog Number	Fig No.	Insulator & Bracket	T - Bar Thickness	W - Bar Width	L - Bar Length	E1	E2	E3	F1	F2	No. of Holes	K
BBB-14210A	1	0.63	1/4"	2 in	10"	0.63	—	—	1.00	—	16	0.28
BBB-14224B	2	0.62	1/4"	2 in	24"	0.62	0.75	—	1.00	1.00	36	0.28
BBB-14410C	3	0.75	1/4"	4 in	10"	0.75	1.00	—	1.25	—	22	0.44
BBB-14410D	4	1.25	1/4"	4 in	10"	1.25	1.00	—	1.13	1.13	22	0.44
BBB-14412E	5	0.75	1/4"	4 in	12"	0.75	1.00	—	2.00	1.25	18	0.44
BBB-14412F	6	1.00	1/4"	4 in	12"	1.00	0.75	—	2.00	1.25	24	0.44
BBB-14416G	7	0.75	1/4"	4 in	16"	0.75	1.00	—	1.69	—	24	0.44
BBB-14416H	8	1.00	1/4"	4 in	16"	1.00	1.00	0.75	1.69	—	32	0.44
BBB-14420J	9	1.00	1/4"	4 in	20"	1.00	1.00	0.75	1.00	—	68	0.44
BBB412UD	—	N/A	1/4"	4 in	12"	N/A	N/A	N/A	N/A	N/A	0	—
BBB-424-UD	—	N/A	1/4"	4 in	24"	N/A	N/A	N/A	N/A	N/A	0	—
BBB-HR19	—	0.38	3/16"	3/4 in	19"	0.38	—	—	—	—	8	—
BBB-VR36	—	0.32	1/4"	5/8 in	36"	0.32	—	—	—	—	16	—

\* Contact factory for custom sizes.

#### NOTE:

For separately ordering Insulator & Brackets use catalog number **B38723000**.

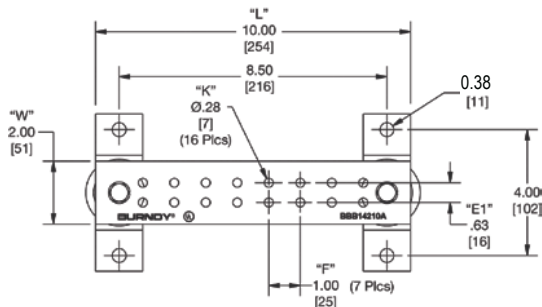


Figure 1

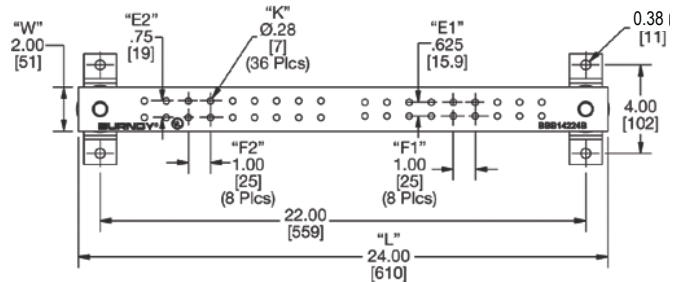


Figure 2

**TYPE BBB**

**BURNDY® Bus Bar**

Copper Bus Bar (Continued)

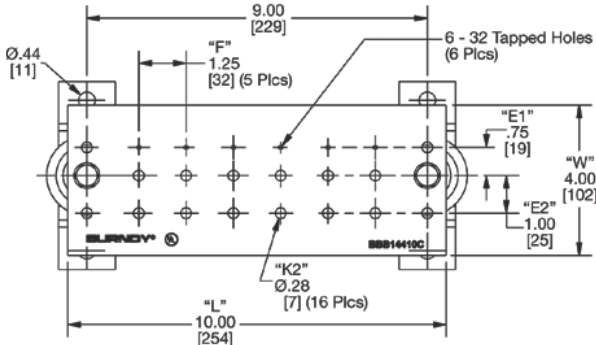


Figure 3

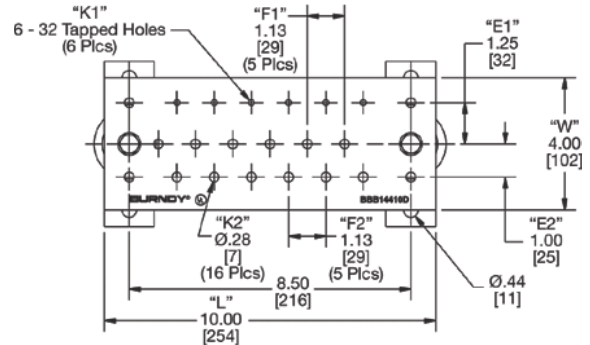


Figure 4

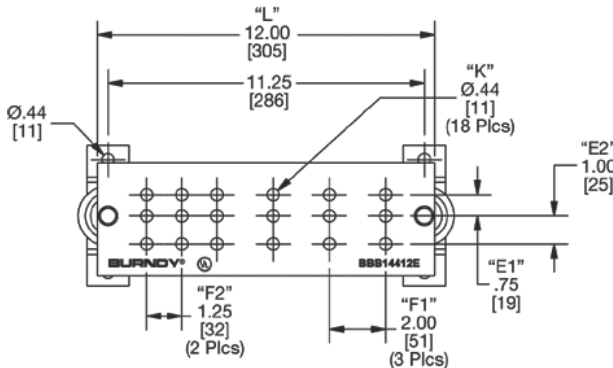


Figure 5

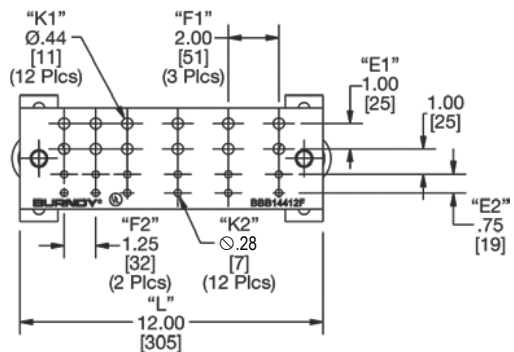


Figure 6

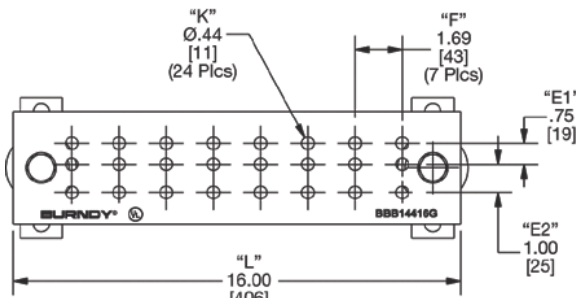


Figure 7

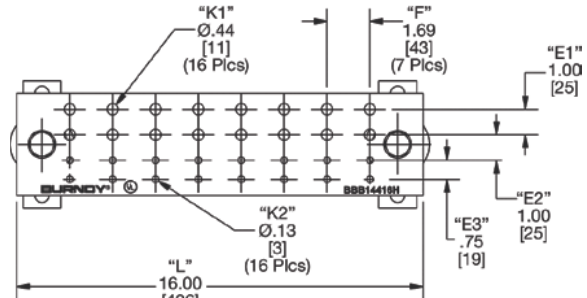


Figure 8

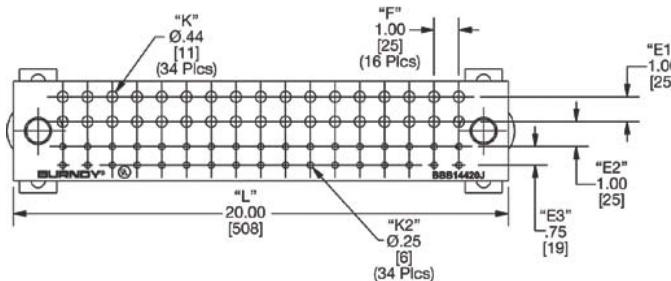


Figure 9

## BWB680 Series

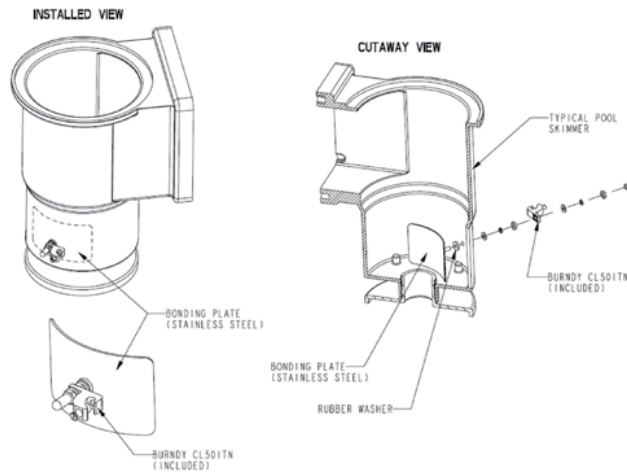
### BURNDY® Pool Water Bonding Kit

NEC 680.26(C) states: "An intentional bond of minimum conductive surface area of 9" shall be installed in contact with the pool water. This bond shall be permitted to consist of parts that are required to be bonded in 680.26(B)".

In order to comply with this requirement BURNDY is offering the BWB680 Series. Made of non-corrosive stainless steel, the BURNDY water bonding kit maintains constant contact with pool water to ensure that the pool is effectively bonded at all times.

BURNDY BWB680 Series is one of the few and the most user friendly, products on the market that complies with this code. Other products are placed in the plumbing, which is not always in contact with the water and therefore does not meet the code. Since the BWB680 Series is placed in the skimmer, it is always in contact with the water.

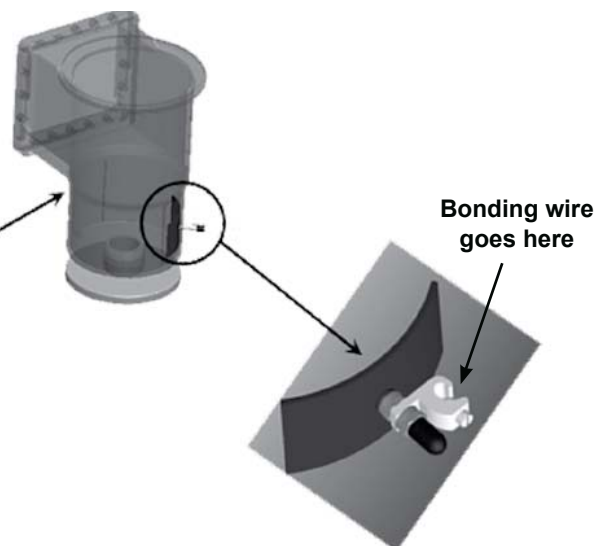
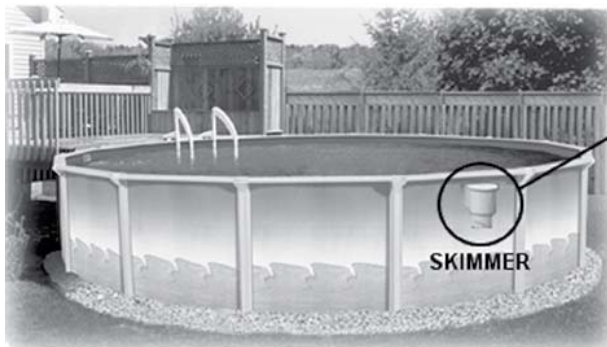
Included in the BURNDY BWB680 Series Bonding Kit: One (1) bonding plate; one (1) rubber sealing washer; two (2) flat washers; two (2) lock washers; two (2) nuts; and one (1) BURNDY CL501-TN



### Features & Benefits

- Easy installation
- Mounting hardware included
- UL Listed
- Placed out of the way on the side wall of the skimmer below the basket

Catalog Number	Pool Type
BWB680AG	Above Ground
BWB680IG	In-Ground



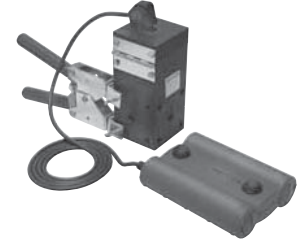
**BURNDYWeld®  
QIKLITE®**

**BURNDYWeld® Weld Metal**

**Battery Ignition System**

The self-contained unit offers a built-in battery life indicator, 6' ignitor cord and separate buttons for power and ignition. Also, no starting powder is used with this system so emissions are greatly reduced. QIKLITE® works with "off-the-shelf" molds and weld metal, so contractors and installers can continue to use the same quality BURNDYWeld® products.

Since the unit operates with standard weld metal and molds, installers also have the option of using a traditional flint ignitor or the new QIKLITE® system. Another feature is the speed of ignition, with virtually no delay between depressing the "push to operate" button and ignition of the weld metal. This instant ignition feature offers quick reassurance to the installer, without the delay.



**Features & Benefits**

- The QIKLITE® system allows installers to make exothermic connections remotely
- Uses standard exothermic molds and weld metal
- Use the new BURNDYWeld® QIKLITE® system or use a flint ignitor, this versatility makes this system better than anything available in the industry
- Installers have virtually 100% confidence that the connection can be completed with no wasted material or weld metal shots
- No starting material required - which greatly reduces the amount of emissions generated
- Power is supplied by 4 standard "D" Size batteries
- Built-in battery life indicator
- There's virtually no delay in ignition after depressing the "push to operate" button
- Separate ON/OFF and Operate buttons
- Comes complete with durable 6' heat resistant cord
- Durable, long-lasting design
- QIKSTIK ignitor sticks are conveniently packaged and available separately or available packaged complete with standard weld metal

Catalog Number Standard Cartridge Size with Ignitor	Cartridges/ Ignitors Per Box
15Q	20
25Q	20
32Q	10
45Q	20
65Q	20
90Q	10
115Q	10
150Q	10
200Q	10
250Q	10
500Q	10
QIKSTIK*	10

\* Ignitor stick only.

Catalog Number	Description
QIKLITE	Battery Ignition System
QIKLITEKIT	QIKLITE® Battery Ignition System and 20 QIKSTIK Ignitor Sticks

# Grounding BURNDYWeld® Exothermic

**BURNDY®**

## BURNDYWeld®

The BURNDYWeld® connection process is a simple, efficient method of welding copper to copper or copper to steel. One advantage is that NO outside power is required when using the BURNDYWeld® exothermic process. The BURNDYWeld® process uses high temperature reaction of powdered copper oxide and aluminum. The reaction takes place in a semi-permanent graphite mold. These molds will last for fifty or more welds if proper care is given. The reaction takes place very rapidly, therefore the total amount of heat applied to the conductors or surfaces is considerably less than that of brazing or soldering. It is important to remember this when welding to insulated cable or thin wall pipe.

This system is very field friendly, since it is light and portable and requires no outside power source. It requires very little time or skill to obtain an efficient, maintenance free connection when using the BURNDYWeld® process.

For more information, visit our website at:  
[www.burndy.com](http://www.burndy.com).

The BURNDYWeld® process has been used to weld materials other than copper for electrical purposes. Materials welded include:

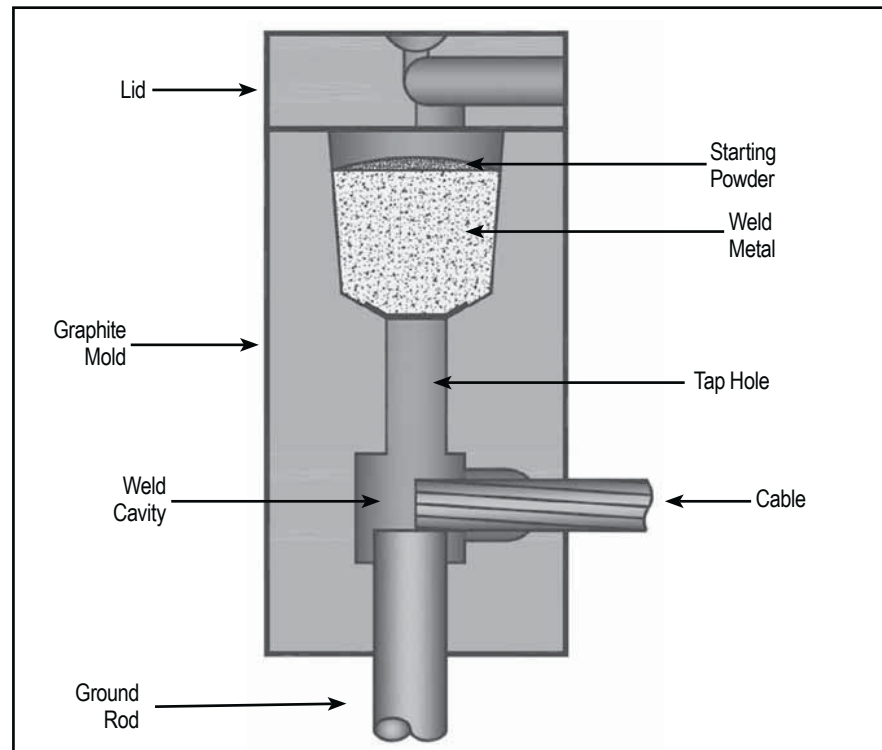
Stainless Steel  
Copperweld®  
Nichrome V  
Galvanized Steel  
Silicon Bronze  
Copper Clad Steel  
Columbium  
Plain Steel  
Everdur®  
Kama  
Stell Rail  
Cor-Ten®  
Brass  
Bronze  
Niobium  
Chromax  
Cast Iron  
Monel

When welding to galvanized steel it is recommended to resurface exposed bare steel.

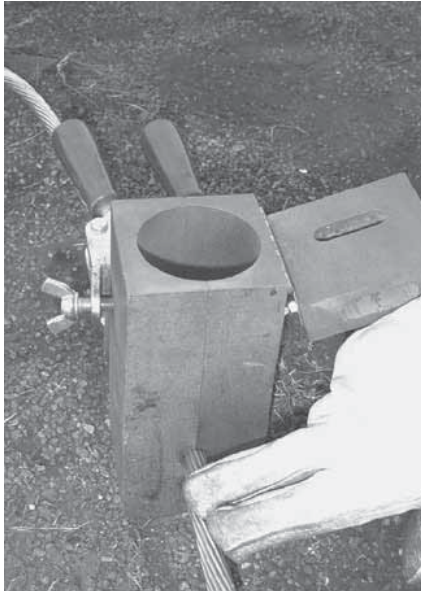


The BURNDYWeld® connection is a molecular weld. The weld metal has the same melting point as copper. These factors along with the increased cross section of the connection, BURNDYWeld® connections:

1. Will not be affected by a high current surge. Tests have shown that the electrical conductor will melt before the BURNDYWeld® connection when subjected to high short circuit current. Consult IEEE Standard 837-1989.
2. Will not loosen or corrode at the point of weld. There are no contact surfaces or mechanical pressures involved. A BURNDYWeld® connection becomes an integral part of the conductor.
3. Have a current-carrying capacity equal to or greater than that of the conductors.

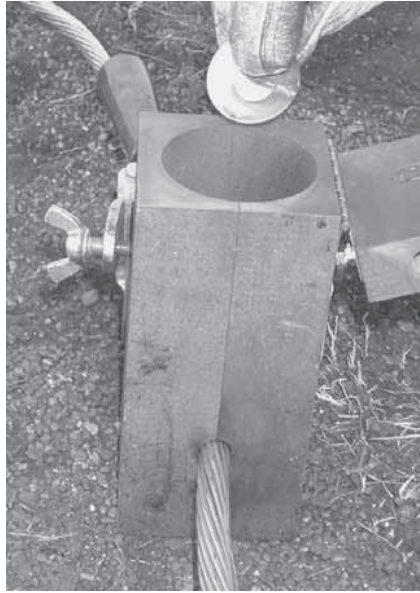


**Making a BURNDYWeld® Connection**



**Step 1**

Position cleaned conductors in mold after make sure mold is dry, by pre-heating or making a test joint.



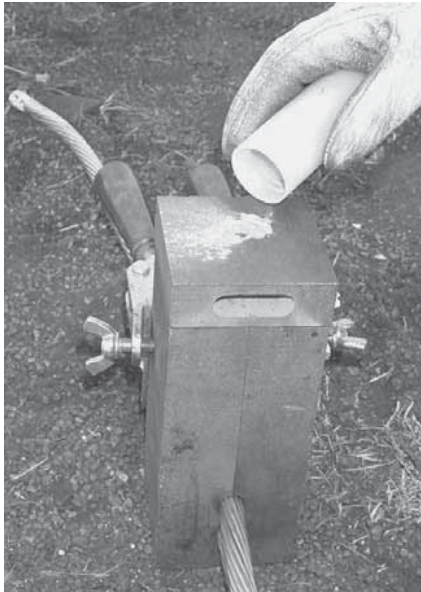
**Step 2**

Place metal disc in bottom of mold crucible.



**Step 3**

Dump powder into crucible, being careful not to loosen all the starting powder.



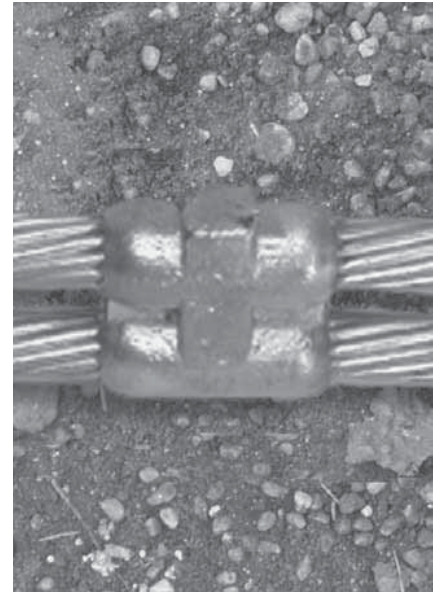
**Step 4**

Close lid and place a small amount of starting powder in the ignition pocket.



**Step 5**

Ignite the starting powder with the Flint Ignitor.



**Step 6**

Wait 15 seconds, then remove weld and clean mold before making next connection.

## BURNDYWeld® WELD METAL

BURNDYWeld® Weld Metal is packed in moisture-resistant plastic cartridges that have tight fitting caps. These cartridges, along with the necessary steel discs, are then packed in boxes that are hermetically sealed. This ensures the powder arriving in good condition, always dry and ready for fast positive ignition. BURNDYWeld® Weld Metal comes in several types; one for welding copper to copper, copper to steel, copper to cast iron and one for welding copper to steel for cathodic protection. The size and weight (in grams) of the cartridge are marked on each individual cartridge.

Weld metal and steel discs are sold only in standard box quantities.



### Features & Benefits

- Packed in moisture-resistant plastic cartridges that have tight fitting caps. These cartridges, along with the necessary steel discs, are then packed in boxes that are hermetically sealed. This ensures the powder arriving in good condition, always dry and ready for fast positive ignition.

Catalog Number *	Description	Cartridges Per Box
15	Standard Cartridge	20
25	Standard Cartridge	20
32	Standard Cartridge	10
45	Standard Cartridge	20
65	Standard Cartridge	20
90	Standard Cartridge	10
115	Standard Cartridge	10
150	Standard Cartridge	10
200	Standard Cartridge	10
250	Standard Cartridge	10
500	Standard Cartridge	10

\* Add Q to suffix to include Qikstik

Catalog Number	Description	Cartridges Per Box
15CI	Cast Iron Cartridge	20
25CI	Cast Iron Cartridge	20
32CI	Cast Iron Cartridge	10
45CI	Cast Iron Cartridge	20
65CI	Cast Iron Cartridge	20
90CI	Cast Iron Cartridge	10
115CI	Cast Iron Cartridge	10

Catalog Number	Description	Cartridges Per Box
15CP	Cathodic Protection Cartridge	20
25CP	Cathodic Protection Cartridge	20
32CP	Cathodic Protection Cartridge	10
45CP	Cathodic Protection Cartridge	20
65CP	Cathodic Protection Cartridge	20

Weld Metal Size	Catalog Number Steel Discs Only	Package Quantity
15 to 65	B370320-01	20
90 to 115	B370320-02	10
150 to 500	B370320-03	10



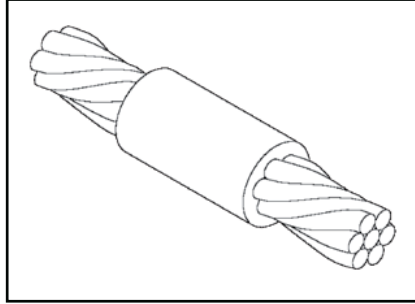
**TYPE BCC-1 MOLDS**

**Horizontal End to End**

BCC-1 Type Molds are used for horizontal end to end cable connections.

Size range is #6 through 1000 kcmil solid or concentric stranded copper conductors.

Contact BURNDY® for information on molds for conductors not listed below.



Cable		Mold Number	Price Key	Weld Metal	Handle Clamps
Run	Tap				
#4	#4	B-5623	18 ①	25	Incl.
#3	#3	B-5624	18 ①	32	Incl.
#2	#2	B-5625	18 ①	32	Incl.
#1	#1	B-5626	18 ①	32	Incl.
1/0	1/0	B-205	4	45	B-106
2/0	2/0	B-206	4	65	B-106
3/0	3/0	B-207	4	90	B-106
4/0	4/0	B-208	4	90	B-106
250 kcmil	250 kcmil	B-209	4	115	B-106
300 kcmil	300 kcmil	B-210	4	115	B-106
350 kcmil	350 kcmil	B-211	4	150	B-106
500 kcmil	500 kcmil	B-213	4	200	B-107
750 kcmil	750 kcmil	B-214	5	2-150	B-107
1000 kcmil	1000 kcmil	B-215	5	2-200	B-107

① B38-0309-00 Flint ignitor included

**NOTES:**

- For sizes not listed, contact BURNDY®
- Molds listed are for concentric stranded cable; add suffix "-S" to mold number for solid conductors
- For heavy duty molds, molds with wear plates or molds for Copperweld® cable, contact BURNDY®
- For expedited service, contact BURNDY®

**Required Tools:**

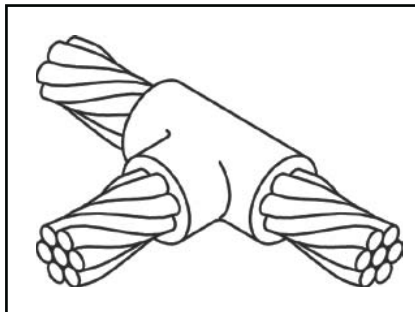
Handle Clamps - see chart for correct handle catalog number

**Recommended Accessories:**

- B38-0309-00 Flint Ignitor
- B38-3922-00 Mold Cleaning Brush
- B38-0135-00 Cable Cleaning Brush
- B38-0330-00 Cable Clamp

## TYPE BCC-2 MOLDS

### Horizontal Cable Tap to Horizontal Cable Run



Type BCC-2 Molds are used to join horizontal cable tap to a horizontal run cable. Size range is #6 through 750 kcmil solid or concentric stranded copper conductors. Contact BURNDY® for information on molds for conductors not listed below.

#### NOTES:

- For sizes not listed, contact BURNDY®
- Molds listed are for concentric stranded cable; add suffix "-S" to mold number for solid conductors
- For heavy duty molds, molds with wear plates or molds for Copperweld® cable, contact BURNDY®
- For expedited service, contact BURNDY®

#### Required Tools:

Handle Clamps - see chart for correct handle catalog number

#### Recommended Accessories:

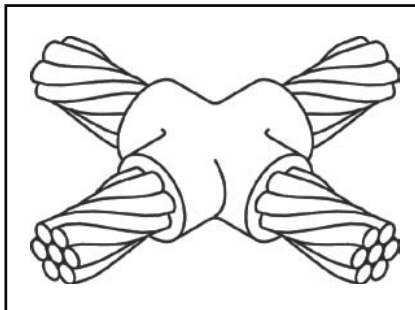
**B38-0309-00** Flint Ignitor; **B38-3922-00** Mold Cleaning Brush; **B38-0135-00** Cable Cleaning Brush; **B38-0330-00** Cable Clamp

Cable		Mold Number	Price Key	Weld Metal	Handle Clamps
Run	Tap				
#4	#4	B-221	4	32	B-106
#2	#2	B-223	4	45	B-106
	#4	B-224	4	45	B-106
#1	#1	B-225	4	45	B-106
	#2	B-226	4	45	B-106
	#4	B-227	4	45	B-106
1/0	1/0	B-228	4	90	B-106
	#1	B-229	4	45	B-106
	#2	B-230	4	45	B-106
	#4	B-231	4	45	B-106
2/0	2/0	B-232	4	90	B-106
	1/0	B-333	4	90	B-106
	#1	B-234	4	45	B-106
	#2	B-235	4	45	B-106
	#4	B-5475	4	45	B-106
3/0	3/0	B-236	4	115	B-106
	2/0	B-237	4	90	B-106
	1/0	B-238	4	90	B-106
	#1	B-239	4	45	B-106
	#2	B-240	4	45	B-106
4/0	#4	B-5574	4	45	B-106
	4/0	B-241	4	150	B-106
	3/0	B-242	4	115	B-106
	2/0	B-243	4	90	B-106
	1/0	B-244	4	90	B-106
	#1	B-245	4	90	B-106
	#2	B-246	4	90	B-106
	#4	B-5021	4	90	B-106
250 kcmil	250 kcmil	B-247	4	150	B-106
	4/0	B-248	4	150	B-106
	3/0	B-249	4	150	B-106
	2/0	B-250	4	90	B-106
	1/0	B-251	4	90	B-106
	#1	B-252	4	90	B-106
	#2	B-253	4	90	B-106

Cable		Mold Number	Price Key	Weld Metal	Handle Clamps
Run	Tap				
300 kcmil	300 kcmil	B-254	4	200	B-106
	250 kcmil	B-255	4	150	B-106
	4/0	B-256	4	150	B-106
	3/0	B-257	4	150	B-106
	2/0	B-258	4	90	B-106
	1/0	B-259	4	90	B-106
	#1	B-260	4	90	B-106
	#2	B-261	4	90	B-106
350 kcmil	350 kcmil	B-262	4	200	B-106
	300 kcmil	B-263	4	200	B-106
	250 kcmil	B-264	4	200	B-106
	4/0	B-265	4	150	B-106
	3/0	B-266	4	150	B-106
	2/0	B-267	4	90	B-106
	1/0	B-268	4	90	B-106
	#1	B-269	4	90	B-106
500 kcmil	#2	B-270	4	90	B-106
	500 kcmil	B-280	4	2-150	B-106
	350 kcmil	B-282	4	200	B-106
	300 kcmil	B-283	4	200	B-106
	250 kcmil	B-284	4	200	B-106
	4/0	B-285	4	150	B-106
	2/0	B-286	4	90	B-106
	1/0	B-287	4	90	B-106
750 kcmil	#1	B-288	4	90	B-106
	#2	B-289	4	90	B-106
	750 kcmil	B-290	5	500	B-107
	500 kcmil	B-291	5	2-200	B-107
	350 kcmil	B-293	4	250	B-106
	300 kcmil	B-294	4	200	B-106
	250 kcmil	B-295	4	200	B-106
	4/0	B-296	4	150	B-106
250 kcmil	2/0	B-297	4	150	B-106
	1/0	B-298	4	150	B-106

**TYPE BCC-4 MOLDS**

**Horizontal to Horizontal  
Cable Cross**



Type BCC-4 Molds are used to join two horizontal cables at right angles. One cable is cut and the other is a through run. Size range is #6 through 500 kcmil solid or concentric stranded copper conductors. Contact BURNDY® for information on molds for conductors not listed below.

**NOTES:**

- For sizes not listed, contact BURNDY®
- Molds listed are for concentric stranded cable; add suffix "-S" to mold number for solid conductors
- For heavy duty molds, molds with wear plates or molds for Copperweld® cable, contact BURNDY®
- For expedited service, contact BURNDY®

**Required Tools:**

Handle Clamps - see chart for correct handle catalog number

**Recommended Accessories:**

**B38-0309-00** Flint Ignitor; **B38-3922-00** Mold Cleaning Brush; **B38-0135-00** Cable Cleaning Brush; **B38-0330-00** Cable Clamp

Cable		Mold Number	Price Key	Weld Metal	Handle Clamps
Run	Tap				
#4	#4	<b>B-423</b>	4	45	B-106
#3	#3	<b>B-424</b>	4	45	B-106
#2	#2	<b>B-425</b>	4	65	B-106
	#4	<b>B-426</b>	4	65	B-106
#1	#1	<b>B-427</b>	4	65	B-106
	#2	<b>B-428</b>	4	65	B-106
	#4	<b>B-429</b>	4	65	B-106
1/0	1/0	<b>B-430</b>	4	90	B-106
	#1	<b>B-431</b>	4	90	B-106
	#2	<b>B-432</b>	4	90	B-106
2/0	#4	<b>B-433</b>	4	90	B-106
	2/0	<b>B-434</b>	4	115	B-106
	1/0	<b>B-435</b>	4	115	B-106
	#1	<b>B-436</b>	4	115	B-106
3/0	#2	<b>B-437</b>	4	115	B-106
	3/0	<b>B-438</b>	4	150	B-106
	2/0	<b>B-439</b>	4	150	B-106
	1/0	<b>B-440</b>	4	115	B-106
4/0	#1	<b>B-441</b>	4	115	B-106
	#2	<b>B-442</b>	4	115	B-106
	4/0	<b>B-443</b>	4	200	B-106
	3/0	<b>B-444</b>	4	200	B-106
	2/0	<b>B-445</b>	4	150	B-106
	1/0	<b>B-446</b>	4	150	B-106
250 kcmil	#1	<b>B-447</b>	4	115	B-106
	#2	<b>B-448</b>	4	115	B-106
	250 kcmil	<b>B-449</b>	4	200	B-106
	4/0	<b>B-450</b>	4	200	B-106
250 kcmil	3/0	<b>B-451</b>	4	200	B-106
	2/0	<b>B-452</b>	4	150	B-106
	1/0	<b>B-453</b>	4	150	B-106
250 kcmil	#1	<b>B-454</b>	4	115	B-106
	#2	<b>B-455</b>	4	115	B-106

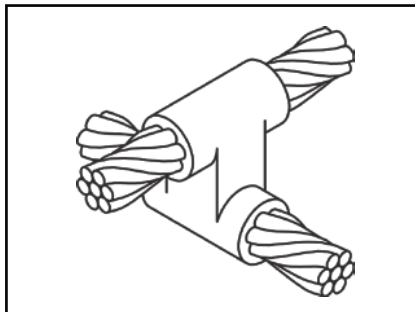
Cable		Mold Number	Price Key	Weld Metal	Handle Clamps
Run	Tap				
300 kcmil	300 kcmil	<b>B-456</b>	4	250	B-106
	250 kcmil	<b>B-457</b>	4	250	B-106
	4/0	<b>B-458</b>	4	200	B-106
	3/0	<b>B-459</b>	4	200	B-106
	2/0	<b>B-460</b>	4	150	B-106
	1/0	<b>B-461</b>	4	150	B-106
	#1	<b>B-462</b>	4	115	B-106
	#2	<b>B-463</b>	4	115	B-106
350 kcmil	350 kcmil	<b>B-464</b>	4	250	B-106
	300 kcmil	<b>B-465</b>	4	250	B-106
	250 kcmil	<b>B-466</b>	4	250	B-106
	4/0	<b>B-467</b>	4	200	B-106
	3/0	<b>B-468</b>	4	200	B-106
	2/0	<b>B-469</b>	4	200	B-106
	1/0	<b>B-470</b>	4	200	B-106
	#1	<b>B-471</b>	4	150	B-106
500 kcmil	#2	<b>B-472</b>	4	150	B-106
	500 kcmil	<b>B-483</b>	5	500	B-107
	350 kcmil	<b>B-485</b>	5	2-200	B-107
	300 kcmil	<b>B-486</b>	5	2-200	B-107
	250 kcmil	<b>B-487</b>	5	2-150	B-107
	4/0	<b>B-488</b>	5	2-150	B-107
	3/0	<b>B-489</b>	5	2-150	B-107
	2/0	<b>B-490</b>	4	250	B-106
250 kcmil	1/0	<b>B-491</b>	4	250	B-106
	#1	<b>B-492</b>	4	200	B-106
	#2	<b>B-493</b>	4	200	B-106

# Grounding BURNDYWeld® Exothermic

**BURNDY®**

## TYPE BCC-11 MOLDS

### Horizontal to Horizontal Cable Cross



Type BCC-11 Molds are used to join uncut horizontal cables at right angles to each other. Size range is #6 through 500 kcmil solid or concentric stranded copper conductors. Contact BURNDY® for information on molds for conductors not listed below.

**NOTES:**

- For sizes not listed, contact BURNDY®
- Molds listed are for concentric stranded cable; add suffix "-S" to mold number for solid conductors
- For heavy duty molds, molds with wear plates or molds for Copperweld® cable, contact BURNDY®
- For expedited service, contact BURNDY®

**Required Tools:**

Handle Clamps - see chart for correct handle catalog number

**Recommended Accessories:**

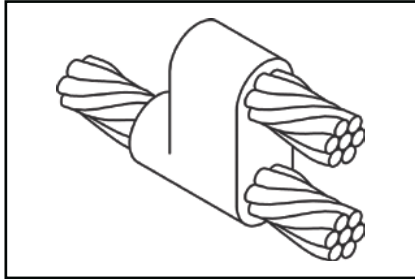
**B38-0309-00** Flint Ignitor; **B38-3922-00** Mold Cleaning Brush; **B38-0135-00** Cable Cleaning Brush; **B38-0330-00** Cable Clamp

Cable		Mold Number	Price Key	Weld Metal	Handle Clamps
Run	Tap				
#6	#6	B-5432	19	45	Incl.
#4	#4	B-2687	4	65	B-106
#2	#2	B-2689	4	90	B-106
	#4	B-2690	4	65	B-106
#1	#1	B-2691	4	115	B-106
	#2	B-2692	4	90	B-106
	#4	B-2693	4	90	B-106
1/0	1/0	B-2694	22	150	B-106
	#1	B-2695	22	150	B-106
	#2	B-2696	22	115	B-106
	#4	B-2697	22	115	B-106
2/0	2/0	B-2698	22	200	B-106
	1/0	B-2699	22	200	B-106
	#1	B-2700	22	150	B-106
	#2	B-2701	22	150	B-106
3/0	3/0	B-2702	22	250	B-106
	2/0	B-2703	22	200	B-106
	1/0	B-2704	22	200	B-106
	#1	B-2705	22	150	B-106
	#2	B-2706	22	150	B-106
4/0	4/0	B-2707	22	250	B-106
	3/0	B-2708	22	250	B-106
	2/0	B-2709	22	200	B-106
	1/0	B-2710	22	200	B-106
	#1	B-2711	22	150	B-106
	#2	B-2712	22	150	B-106

Cable		Mold Number	Price Key	Weld Metal	Handle Clamps
Run	Tap				
250 kcmil	250 kcmil	B-2713	22	2-150	B-106
	4/0	B-2714	22	2-150	B-106
	3/0	B-2715	22	2-150	B-106
	2/0	B-2716	22	250	B-106
	1/0	B-2717	22	150	B-106
	#1	B-2718	22	200	B-106
500 kcmil	#2	B-2719	22	150	B-106
	500 kcmil	B-2747	23	3-250	B-107
	250 kcmil	B-2751	23	500	B-107
	4/0	B-2752	23	500	B-107
	3/0	B-2753	23	500	B-107
	2/0	B-2754	23	2-200	B-107
	1/0	B-2755	22	2-150	B-106
	#1	B-2756	22	250	B-106
	#2	B-2757	22	250	B-106

**TYPE BCC-6 MOLDS**

**Horizontal Parallel Tap**



BCC-6 Type Molds are used to join horizontal parallel tap to run connections. The tap cable is over the run cable. Size range is #6 through 4/0 solid or concentric stranded copper conductors. Contact BURNDY® for information on molds for conductors not listed below.

**NOTES:**

- For sizes not listed, contact BURNDY®
- Molds listed are for concentric stranded cable; add suffix "-S" to mold number for solid conductors
- For heavy duty molds, molds with wear plates or molds for Copperweld® cable, contact BURNDY®
- For expedited service, contact BURNDY®

**Required Tools:**

Handle Clamps - see chart for correct handle catalog number

**Recommended Accessories:**

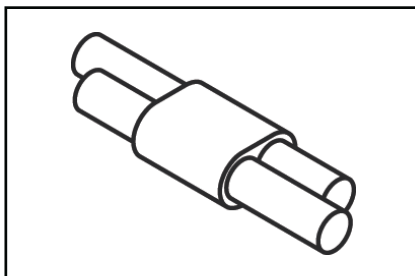
**B38-0309-00** Flint Ignitor; **B38-3922-00** Mold Cleaning Brush; **B38-0135-00** Cable Cleaning Brush; **B38-0330-00** Cable Clamp

Cable		Mold Number	Price Key	Weld Metal	Handle Clamps
Run	Tap				
#6 Sol	#6 Sol	B-1270	4	25	B-106
#6	#6	B-1271	4	25	B-106
#4	#4	B-1272	4	32	B-106
	#6	B-1273	4	32	B-106
	#6 Sol	B-1274	4	32	B-106
	#8 Sol	B-1275	4	32	B-106
	#2	B-1276	4	65	B-106
#2	#4	B-1277	4	45	B-106
	#6	B-1278	4	32	B-106
	#6 Sol	B-1279	4	32	B-106
	#8 Sol	B-1280	4	32	B-106
	#1	B-1281	4	65	B-106
#1	#2	B-1282	4	65	B-106
	#4	B-1283	4	45	B-106
	#6	B-1284	4	45	B-106
	#6 Sol	B-1285	4	45	B-106
	#8 Sol	B-1286	4	45	B-106
	1/0	B-1287	4	90	B-106
	#1	B-1288	4	90	B-106
1/0	#2	B-1289	4	65	B-106
	#4	B-1290	4	65	B-106
	#6	B-1291	4	45	B-106
	#6 Sol	B-1292	4	45	B-106
	#8 Sol	B-1293	4	45	B-106

Cable		Mold Number	Price Key	Weld Metal	Handle Clamps
Run	Tap				
2/0	2/0	B-1294	4	115	B-106
	1/0	B-1295	4	115	B-106
	#1	B-1296	4	90	B-106
	#2	B-1297	4	90	B-106
	#4	B-1298	4	65	B-106
	#6	B-1299	4	65	B-106
	#6 Sol	B-1300	4	65	B-106
	#8 Sol	B-1301	4	65	B-106
	4/0	4/0	B-1302	4	150
2/0		B-1303	4	115	B-106
1/0		B-1304	4	115	B-106
#1		B-1305	4	115	B-106
#2		B-1306	4	115	B-106
#4		B-1307	4	90	B-106
#6		B-1308	4	90	B-106
#6 Sol		B-1309	4	90	B-106
#8 Sol		B-1310	4	90	B-106

**TYPE BCC-14 MOLDS**

**Horizontal Parallel through Cables**



BCC-14 Type Molds are used to join horizontal parallel through run cables. Cables run side by side in the mold. Size range is #8 through #6 solid or concentric stranded copper conductors. Contact BURNDY® for information on molds for conductors not listed.

Cable		Mold Number	Price Key	Weld Metal
Run	Tap			
#8	#8	B-5709	18	15
#6	#6	B-5618	18	25

**NOTES:**

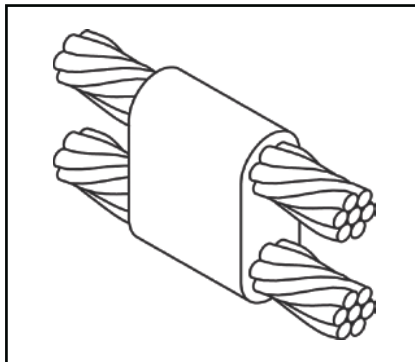
- For sizes not listed, contact BURNDY®
- Molds listed are for concentric stranded cable; add suffix "-S" to mold number for solid conductors
- For heavy duty molds, molds with wear plates or molds for Copperweld® cable, contact BURNDY®
- For expedited service, contact BURNDY®
- Sold complete with handles

## TYPE BCC-7 MOLDS

### Horizontal Parallel through Cables



BCC-7 Type Molds are used to join horizontal parallel through run cables. One cable runs above the other cable in the mold. Size range is #6 through 4/0 solid or concentric stranded copper conductors. Contact BURNDY® for information on molds for conductors not listed below



#### NOTES:

- For sizes not listed, contact BURNDY®
- Molds listed are for concentric stranded cable; add suffix "-S" to mold number for solid conductors
- For heavy duty molds, molds with wear plates or molds for Copperweld® cable, contact BURNDY®
- For expedited service, contact BURNDY®

#### Required Tools:

Handle Clamps - see chart for correct handle catalog number

#### Recommended Accessories:

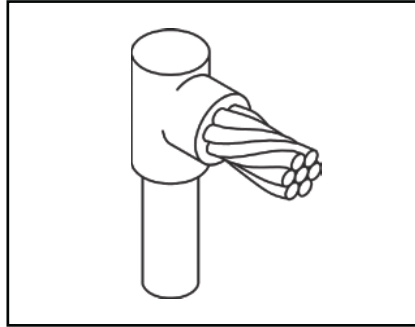
**B38-0309-00** Flint Ignitor; **B38-3922-00** Mold Cleaning Brush; **B38-0135-00** Cable Cleaning Brush; **B38-0330-00** Cable Clamp

Cable		Mold Number	Price Key	Weld Metal	Handle Clamps
Run	Tap				
#4	#4	B-1311	4	32	B-106
	#6	B-5627	4	32	B-106
	#6 Sol	B-8882	4	32	B-106
	#8	B-5629	4	32	B-106
	#8 Sol	B-5630	4	32	B-106
#2	#2	B-1313	4	65	B-106
	#4	B-1314	4	65	B-106
	#6	B-5631	4	45	B-106
	#6 Sol	B-5632	4	45	B-106
	#8	B-5634	4	45	B-106
	#8 Sol	B-5635	4	45	B-106
#1	#1	B-1315	4	65	B-106
	#2	B-1316	4	65	B-106
	#4	B-1317	4	65	B-106
	#6	B-5636	4	65	B-106
	#6 Sol	B-5637	4	65	B-106
	#8	B-5638	4	45	B-106
	#8 Sol	B-5639	4	45	B-106
1/0	1/0	B-1318	4	90	B-106
	#1	B-1319	4	65	B-106
	#2	B-1320	4	65	B-106
	#4	B-1321	4	65	B-106
	#6	B-5642	4	65	B-106
	#6 Sol	B-1208	4	65	B-106
	#8	B-5644	4	65	B-106
	#8 Sol	B-5645	4	65	B-106

Cable		Mold Number	Price Key	Weld Metal	Handle Clamps
Run	Tap				
2/0	2/0	B-1322	4	115	B-106
	1/0	B-1323	4	115	B-106
	#1	B-1324	4	90	B-106
	#2	B-1325	4	90	B-106
	#4	B-5659	4	90	B-106
	#6	B-5342	4	90	B-106
	#6 Sol	B-5652	4	90	B-106
	#8	B-5668	4	65	B-106
3/0	#8 Sol	B-5943	4	65	B-106
	3/0	B-1326	4	150	B-106
	2/0	B-1327	4	150	B-106
	1/0	B-1328	4	115	B-106
	#1	B-1329	4	115	B-106
	#2	B-1330	4	115	B-106
	#4	B-6046	4	115	B-106
	#6	B-5676	4	90	B-106
	#6 Sol	B-5679	4	90	B-106
	#8	B-5680	4	90	B-106
4/0	#8 Sol	B-5682	4	90	B-106
	4/0	B-1331	4	200	B-106
	3/0	B-1332	4	200	B-106
	2/0	B-1333	4	150	B-106
	1/0	B-1334	4	150	B-106
	#1	B-1335	4	150	B-106
	#2	B-1336	4	150	B-106
	#4	B-5340	4	150	B-106
	#6	B-5684	4	90	B-106
	#6 Sol	B-6552	4	90	B-106
	#8	B-5686	4	90	B-106
	#8 Sol	B-5688	4	90	B-106

**TYPE BCR-1 MOLDS**

**Horizontal Cable Terminal  
to Ground Rod**



Type BCR-1 Molds are used to terminate horizontal copper cable at the top of a vertical ground rod. Size range is #6 through 1000 kcmil solid or concentric stranded copper conductors; 1/2" through 1" for the ground rod. Contact BURNDY® for information on molds for conductors not listed below.

**NOTES:**

- For sizes not listed, contact BURNDY®
- Molds listed are for concentric stranded cable; add suffix "-S" to mold number for solid conductors
- For heavy duty molds, molds with wear plates or molds for Copperweld® cable, contact BURNDY®
- For expedited service, contact BURNDY®

**Required Tools:**

Handle Clamps - see chart for correct handle catalog number

**Recommended Accessories:**

**B38-0309-00** Flint Ignitor; **B38-3922-00** Mold Cleaning Brush; **B38-0135-00** Cable Cleaning Brush; **B38-0330-00** Cable Clamp

Cable		Mold Number	Price Key	Weld Metal	Handle Clamps
Grd Rod	Tap				
1/2"	#6	<b>B-8402</b>	18 ①	25	Incl.
	#4	<b>B-8403</b>	18 ①	25	Incl.
	#2	<b>B-495</b>	4	65	B-106
	#1	<b>B-496</b>	4	65	B-106
	1/0	<b>B-497</b>	4	90	B-106
	2/0	<b>B-498</b>	4	90	B-106
	3/0	<b>B-499</b>	4	90	B-106
	4/0	<b>B-500</b>	4	90	B-106
	250 kcmil	<b>B-501</b>	4	90	B-106
	300 kcmil	<b>B-502</b>	4	90	B-106
5/8"	#6	<b>B-8414</b>	18 ①	32	Incl.
	#4	<b>B-8415</b>	18 ①	32	Incl.
	#2	<b>B-503</b>	4	65	B-106
	#1	<b>B-504</b>	4	65	B-106
	1/0	<b>B-505</b>	4	90	B-106
	2/0	<b>B-506</b>	4	90	B-106
	3/0	<b>B-507</b>	4	90	B-106
	4/0	<b>B-508</b>	4	90	B-106
	250 kcmil	<b>B-509</b>	4	90	B-106
	300 kcmil	<b>B-510</b>	4	115	B-106
	350 kcmil	<b>B-511</b>	4	115	B-106
	500 kcmil	<b>B-513</b>	4	150	B-106

① B38-0309-00 Flint ignitor included

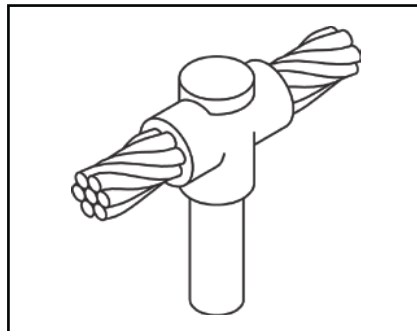
Cable		Mold Number	Price Key	Weld Metal	Handle Clamps
Grd Rod	Tap				
3/4"	#6	<b>B-8422</b>	18 ①	32	Incl.
	#4	<b>B-8426</b>	19 ①	45	Incl.
	#2	<b>B-5781</b>	4	90	B-106
	#1	<b>B-514</b>	4	90	B-106
	1/0	<b>B-515</b>	4	90	B-106
	2/0	<b>B-516</b>	4	90	B-106
	3/0	<b>B-517</b>	4	90	B-106
	4/0	<b>B-518</b>	4	90	B-106
	250 kcmil	<b>B-519</b>	4	90	B-106
	300 kcmil	<b>B-520</b>	4	115	B-106
	350 kcmil	<b>B-521</b>	4	115	B-106
	500 kcmil	<b>B-523</b>	4	150	B-106
	750 kcmil	<b>B-524</b>	4	250	B-106
	1"	1/0	<b>B-525</b>	4	150
2/0		<b>B-526</b>	4	150	B-106
3/0		<b>B-527</b>	4	150	B-106
4/0		<b>B-528</b>	4	150	B-106
250 kcmil		<b>B-529</b>	4	150	B-106
300 kcmil		<b>B-530</b>	4	200	B-106
350 kcmil		<b>B-531</b>	4	200	B-106
500 kcmil		<b>B-533</b>	4	200	B-106
750 kcmil		<b>B-534</b>	4	250	B-106
1000 kcmil		<b>B-535</b>	5	2-150	B-106

# Grounding BURNDYWeld® Exothermic

**BURNDY®**

## TYPE BCR-2 MOLDS

### Horizontal Cable to Ground Rod



Type BCR-2 Molds are used to join horizontal through copper cable to the top of a vertical ground rod. Size range is #6 through 1000 kcmil solid or concentric stranded copper conductors; 1/2" through 1" for the ground rod. Contact BURNDY® for information on molds for conductors not listed below.

#### NOTES:

- For sizes not listed, contact BURNDY®
- Molds listed are for concentric stranded cable; add suffix "-S" to mold number for solid conductors
- For heavy duty molds, molds with wear plates or molds for Copperweld® cable, contact BURNDY®
- For expedited service, contact BURNDY®

#### Required Tools:

Handle Clamps - see chart for correct handle catalog number

#### Recommended Accessories:

**B38-0309-00** Flint Ignitor; **B38-3922-00** Mold Cleaning Brush; **B38-0135-00** Cable Cleaning Brush; **B38-0330-00** Cable Clamp

Cable		Mold Number	Price Key	Weld Metal	Handle Clamps
Grd Rod	Tap				
1/2"	#6	<b>B-8434</b>	18 ①	32	Incl.
	#4	<b>B-8435</b>	18 ①	32	Incl.
	#2	<b>B-537</b>	4	90	B-106
	#1	<b>B-538</b>	4	90	B-106
	1/0	<b>B-539</b>	4	90	B-106
	2/0	<b>B-540</b>	4	90	B-106
	3/0	<b>B-541</b>	4	115	B-106
	4/0	<b>B-542</b>	4	115	B-106
	250 kcmil	<b>B-543</b>	4	150	B-106
	300 kcmil	<b>B-544</b>	4	200	B-106
5/8"	#6	<b>B-8441</b>	18 ①	32	Incl.
	#4	<b>B-8442</b>	18 ①	32	Incl.
	#2	<b>B-545</b>	4	90	B-106
	#1	<b>B-546</b>	4	90	B-106
	1/0	<b>B-547</b>	4	90	B-106
	2/0	<b>B-548</b>	4	115	B-106
	3/0	<b>B-549</b>	4	115	B-106
	4/0	<b>B-550</b>	4	115	B-106
	250 kcmil	<b>B-551</b>	4	150	B-106
	300 kcmil	<b>B-552</b>	4	200	B-106
	350 kcmil	<b>B-553</b>	4	200	B-106
	500 kcmil	<b>B-555</b>	4	250	B-106

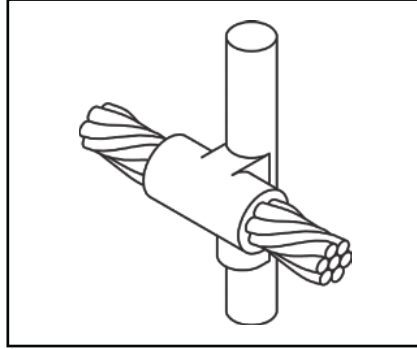
Cable		Mold Number	Price Key	Weld Metal	Handle Clamps	
Grd Rod	Tap					
3/4"	#6	<b>B-8452</b>	19 ①	45	Incl.	
	#4	<b>B-8454</b>	19 ①	65	Incl.	
	#2	<b>B-556</b>	4	90	B-106	
	#1	<b>B-557</b>	4	90	B-106	
	1/0	<b>B-558</b>	4	115	B-106	
	2/0	<b>B-559</b>	4	115	B-106	
	3/0	<b>B-560</b>	4	115	B-106	
	4/0	<b>B-561</b>	4	115	B-106	
	250 kcmil	<b>B-562</b>	4	150	B-106	
	300 kcmil	<b>B-563</b>	4	200	B-106	
	350 kcmil	<b>B-564</b>	4	200	B-106	
	500 kcmil	<b>B-566</b>	4	250	B-106	
	750 kcmil	<b>B-567</b>	5	2-200	B-107	
	1"	1/0	<b>B-569</b>	4	150	B-106
		2/0	<b>B-570</b>	4	150	B-106
		3/0	<b>B-571</b>	4	150	B-106
4/0		<b>B-572</b>	4	150	B-106	
250 kcmil		<b>B-573</b>	4	200	B-106	
300 kcmil		<b>B-574</b>	4	200	B-106	
350 kcmil		<b>B-575</b>	4	200	B-106	
500 kcmil		<b>B-577</b>	4	250	B-106	
750 kcmil		<b>B-578</b>	5	2-200	B-107	
1000 kcmil		<b>B-579</b>	5	500	B-107	

① B38-0309-00 Flint ignitor included



**TYPE BCR-3 MOLDS**

**Horizontal Through Cable to Ground Rod**



Type BCR-3 Molds are used to join horizontal through run cable to the side of a vertical ground rod. Size range is #6 through 1000 kcmil solid or concentric stranded copper conductors; 1/2" through 1" for the ground rod. Contact BURNDY® for information on molds for conductors not listed below.

**NOTES:**

- For sizes not listed, contact BURNDY®
- Molds listed are for concentric stranded cable; add suffix "-S" to mold number for solid conductors
- For heavy duty molds, molds with wear plates or molds for Copperweld® cable, contact BURNDY®
- For expedited service, contact BURNDY®

**Required Tools:**

Handle Clamps - see chart for correct handle catalog number

**Recommended Accessories:**

**B38-0309-00** Flint Ignitor; **B38-3922-00** Mold Cleaning Brush; **B38-0135-00** Cable Cleaning Brush; **B38-0330-00** Cable Clamp

Cable		Mold Number	Price Key	Weld Metal	Handle Clamps
Grd Rod	Tap				
1/2"	#6	B-5321	24	65	B-106
	#4	B-2154	24	90	B-106
	#2	B-2155	24	90	B-106
	#1	B-2156	24	115	B-106
	1/0	B-1581	24	115	B-106
	2/0	B-1582	24	115	B-106
	4/0	B-1583	24	150	B-106
	250 kcmil	B-1584	24	150	B-106
5/8"	#6	B-5660	24	65	B-106
	#4	B-2157	24	90	B-106
	#2	B-2158	24	90	B-106
	#1	B-2159	24	115	B-106
	1/0	B-1586	24	115	B-106
	2/0	B-1587	24	115	B-106
	4/0	B-1588	24	150	B-106
	250 kcmil	B-1589	24	150	B-106
	500 kcmil	B-1593	13	2-200	B-107

Cable		Mold Number	Price Key	Weld Metal	Handle Clamps
Grd Rod	Tap				
3/4"	#6	B-6630	24	65	B-106
	#4	B-2160	24	90	B-106
	#2	B-2161	24	90	B-106
	#1	B-2162	24	115	B-106
	1/0	B-1594	24	115	B-106
	2/0	B-1595	24	115	B-106
	4/0	B-1596	24	150	B-106
	250 kcmil	B-1597	24	200	B-106
	500 kcmil	B-1601	13	500	B-107
	750 kcmil	B-1602	13	3-250	B-107
	1"	#6	B-6906	24	90
#4		B-2163	24	90	B-106
#2		B-2164	24	90	B-106
#1		B-2165	24	115	B-106
1/0		B-1603	24	115	B-106
2/0		B-1604	24	115	B-106
4/0		B-1605	24	150	B-106
250 kcmil		B-1606	24	200	B-106
500 kcmil		B-1610	13	500	B-107
750 kcmil		B-1611	13	3-250	B-107

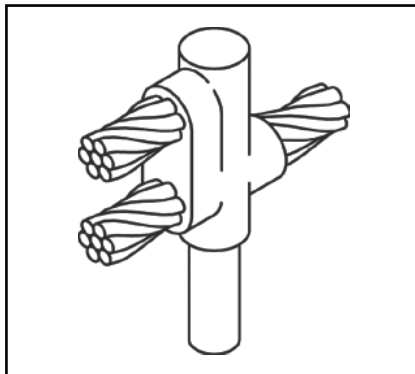
# Grounding BURNDYWeld® Exothermic

**BURNDY®**

## TYPE BCR-17 MOLDS

### Horizontal Run and Tap Cables to Ground Rod

Type BCR-17 Molds are used to join horizontal run and tap cables to the top of a vertical ground rod. Size range is #4 through 750 kcmil solid or concentric stranded copper conductors; 1/2" through 1" for the ground rod. Contact BURNDY® for information on molds for conductors not listed below.



#### NOTES:

- For sizes not listed, contact BURNDY®
- Molds listed are for concentric stranded cable; add suffix "-S" to mold number for solid conductors
- For heavy duty molds, molds with wear plates or molds for Copperweld® cable, contact BURNDY®
- For expedited service, contact BURNDY®

#### Required Tools:

Handle Clamps - see chart for correct handle catalog number

#### Recommended Accessories:

**B38-0309-00** Flint Ignitor; **B38-3922-00** Mold Cleaning Brush; **B38-0135-00** Cable Cleaning Brush; **B38-0330-00** Cable Clamp

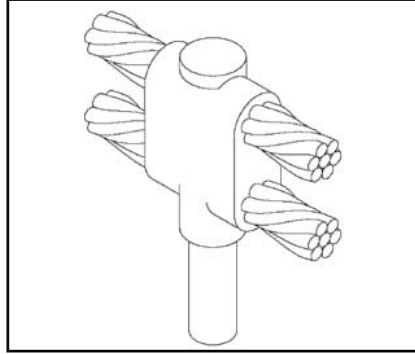
Cable		Mold Number	Price Key	Weld Metal	Handle Clamps
Grd Rod	Tap				
1/2"	#4	B-5416	4	90	B-106
	#2	B-6165	4	90	B-106
	#1	B-5830	4	90	B-106
	1/0	B-5940	4	115	B-106
	2/0	B-5850	4	150	B-106
	3/0	B-5833	4	200	B-106
	4/0	B-5380	4	200	B-106
	5/8"	#4	B-5972	4	90
#2		B-5935	4	115	B-106
#1		B-5699	4	115	B-106
1/0		B-5746	4	150	B-106
2/0		B-5963	4	200	B-106
3/0		B-5734	4	250	B-106
4/0		B-5732	4	250	B-106
250 kcmil		B-5722	5	2-150	B-107
3/4"	#4	B-5698	4	90	B-106
	#2	B-5294	4	115	B-106
	#1	B-5390	4	115	B-106
	1/0	B-6025	4	150	B-106
	2/0	B-5738	4	200	B-106
	3/0	B-6003	4	250	B-106
	4/0	B-2566	4	250	B-106
	250 kcmil	B-5904	5	2-150	B-107
	300 kcmil	B-5857	5	2-200	B-107
	350 kcmil	B-5777	5	2-200	B-107
500 kcmil	B-5961	5	3-200	B-107	

Cable		Mold Number	Price Key	Weld Metal	Handle Clamps
Grd Rod	Tap				
1"	#4	B-5556	4	115	B-106
	#2	B-5555	4	150	B-106
	#1	B-6048	4	150	B-106
	1/0	B-5992	4	200	B-106
	2/0	B-5877	4	250	B-106
	3/0	B-5821	5	2-150	B-107
	4/0	B-5820	5	2-150	B-107
	250 kcmil	B-5807	5	2-200	B-107
	300 kcmil	B-5803	5	500	B-107
	350 kcmil	B-5561	5	500	B-107
	500 kcmil	B-5515	6	3-250	B-107
	750 kcmil	B-5513	6	2-500	B-107

**TYPE BCR-24 MOLDS**

**Horizontal Parallel Run Cables to Ground Rod**

Type BCR-24 Molds are used to join horizontal parallel cables to the top of a vertical ground rod. Size range is #4 through 750 kcmil solid or concentric stranded copper conductors; 1/2" through 1" for the ground rod. Contact BURNDY® for information on molds for conductors not listed below.



**NOTES:**

- For sizes not listed, contact BURNDY®
- Molds listed are for concentric stranded cable; add suffix "-S" to mold number for solid conductors
- For heavy duty molds, molds with wear plates or molds for Copperweld® cable, contact BURNDY®
- For expedited service, contact BURNDY®

**Required Tools:**

Handle Clamps - see chart for correct handle catalog number

**Recommended Accessories:**

**B38-0309-00** Flint Ignitor; **B38-3922-00** Mold Cleaning Brush; **B38-0135-00** Cable Cleaning Brush; **B38-0330-00** Cable Clamp

Cable		Mold Number	Price Key	Weld Metal	Handle Clamps
Grd Rod Size	Tap				
1/2"	#4	B-5640	4	115	B-106
	#2	B-5667	4	115	B-106
	#1	B-6002	4	115	B-106
	1/0	B-5767	4	150	B-106
	2/0	B-5604	4	200	B-106
	3/0	B-5560	4	250	B-106
	4/0	B-6766	4	250	B-106
5/8"	#4	B-6208	4	115	B-106
	#2	B-5702	4	150	B-106
	#1	B-5517	4	150	B-106
	1/0	B-5573	4	200	B-106
	2/0	B-8451	4	250	B-106
	3/0	B-2510	5	2-150	B-107
	4/0	B-5428	5	2-150	B-107
	250 kcmil	B-1212	5	2-200	B-107
	300 kcmil	B-2084	5	500	B-107
	350 kcmil	B-2558	5	500	B-107
500 kcmil	B-2450	5	3-250	B-107	
3/4"	#4	B-8011	4	115	B-106
	#2	B-2320	4	150	B-106
	#1	B-2235	4	150	B-106
	1/0	B-6051	4	200	B-106
	2/0	B-8802	4	250	B-106
	3/0	B-8726	5	2-150	B-107
	4/0	B-5677	5	2-150	B-107
	250 kcmil	B-8461	5	2-200	B-107
	300 kcmil	B-8428	5	500	B-107
	350 kcmil	B-8294	5	500	B-107
	500 kcmil	B-8214	5	3-250	B-107
	750 kcmil	B-8027	6	2-500	B-107

Cable		Mold Number	Price Key	Weld Metal	Handle Clamps
Grd Rod Size	Tap				
1"	#4	B-5330	4	150	B-106
	#2	B-5332	4	200	B-106
	#1	B-5333	4	200	B-106
	1/0	B-5334	4	250	B-106
	2/0	B-5335	5	2-150	B-107
	3/0	B-5336	5	2-200	B-107
	4/0	B-5337	5	2-200	B-107
	250 kcmil	B-5338	5	500	B-107
	300 kcmil	B-5341	5	3-200	B-107
	350 kcmil	B-5351	5	3-200	B-107
	500 kcmil	B-5352	6	2-500	B-107
	750 kcmil	B-5353	64	5-250	B-107

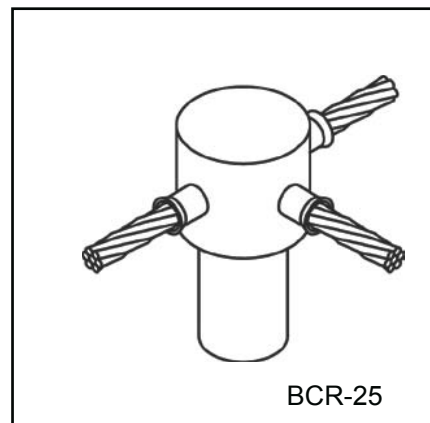
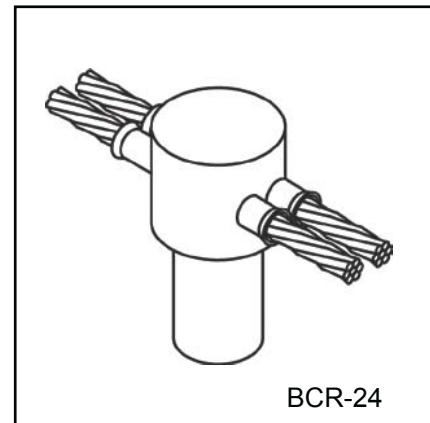
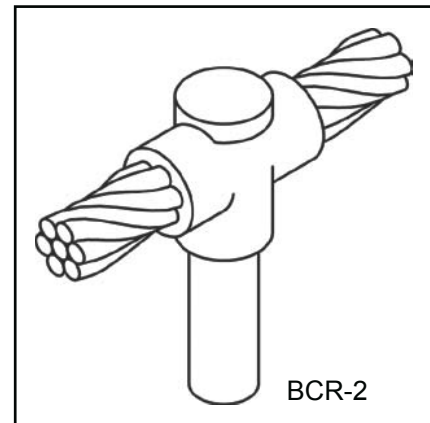
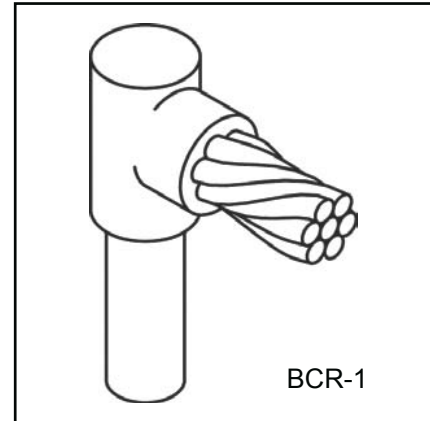
## SINGLE SHOT MOLDS

RUS Accepted

BURNDYWeld® Single Shot Molds are an economical way to make cable connections onto the top of a ground rod. The Single Shot is a disposable single use ceramic mold that comes complete with everything required except the Flint Ignitor.

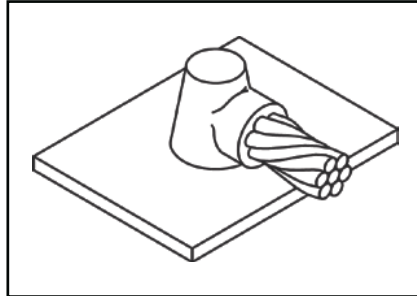
\* UL Listed

Ground Rod Size	Cable Size		Mold Number	Type
	Solid	Stranded		
1/2"	#6, #8	#8	BS-2009	BCR-1•
	#3, #4	#4, #6	BS-2010	BCR-1•
	#1, #2	#2, #3	BS-2011	BCR-1•
	#6, #8	#8	BS-2024	BCR-2•
	#3, #4	#4, #6	BS-2025	BCR-2•
	#1, #2	#2, #3	BS-2026	BCR-1•
5/8"	#6, #8	#8	BS-2012	BCR-1•
	#3, #4	#4, #6	BS-2013	BCR-1•
	#1, #2	#2, #3	BS-2014	BCR-1•
	2/0, 1/0	1/0, #1	BS-2015	BCR-1•
	—	2/0	BS-2016	BCR-1•
	#6, #8	#8	BS-2027	BCR-2•
	#3, #4	#4, #6	BS-2028	BCR-2•
	#1, #2	#2, #3	BS-2029	BCR-2•
	2/0, 1/0	1/0, #1	BS-2030	BCR-2•
	#6, #8	#8	BS-2105	BCR-24
	#3, #4	#4, #6	BS-2106	BCR-14
	#1, #2	#2, #3	BS-2107	BCR-24
	#6, #8	#8	BS-2006	BCR-25
	#3, #4	#4, #6	BS-2007	BCR-25
	#1, #2	#2, #3	BS-2008	BCR-25
3/4"	#6, #8	#8	BS-2017	BCR-1
	#3, #4	#4, #6	BS-2018	BCR-1•
	#1, #2	#2, #3	BS-2019	BCR-1•
	2/0, 1/0	1/0, #1	BS-2020	BCR-1•
	—	2/0	BS-2021	BCR-1•
	#6, #8	#8	BS-2031	BCR-2•
	#3, #4	#4, #6	BS-2032	BCR-2•
	#1, #2	#2, #3	BS-2033	BCR-2•
	2/0, 1/0	1/0, #1	BS-2034	BCR-2•
	#6, #8	#8	BS-2108	BCR-24
	#3, #4	#4, #6	BS-2109	BCR-24
	#1, #2	#2, #3	BS-2110	BCR-24
	#6, #8	#8	BS-2068	BCR-25•
	#3, #4	#4, #6	BS-2069	BCR-25•
	#1, #2	#2, #3	BS-2070	BCR-25•



**TYPE BCS-1 MOLDS**

**Horizontal Cable to  
Horizontal Steel Surface**



Type BCS-1 Molds are used to terminate a horizontal copper cable to any horizontal steel surface. Note that the cable is OFF the surface. Size range is 1/0 through 1000 kcmil solid or concentric stranded copper conductors. Contact BURNDY® for information on molds for conductors not listed below.

**NOTES:**

- For sizes not listed, contact BURNDY®
- Molds listed are for concentric stranded cable; add suffix "-S" to mold number for solid conductors
- For heavy duty molds, molds with wear plates or molds for Copperweld® cable, contact BURNDY®
- For expedited service, contact BURNDY®

**Required Tools:**

Handle Clamps - see chart for correct handle catalog number

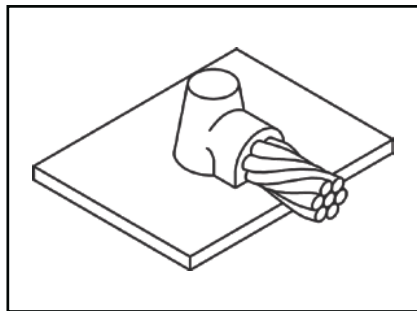
**Recommended Accessories:**

**B38-0309-00** Flint Ignitor; **B38-3922-00** Mold Cleaning Brush; **B38-0135-00** Cable Cleaning Brush; **B38-0330-00** Cable Clamp

Cable Size	Mold Number	Price Key	Weld Metal	Handle Clamps
1/0	<b>B-644</b>	4	90	B-106
2/0	<b>B-645</b>	4	90	B-106
3/0	<b>B-646</b>	4	115	B-106
4/0	<b>B-647</b>	4	115	B-106
250 kcmil	<b>B-648</b>	4	115	B-106
300 kcmil	<b>B-649</b>	4	150	B-106
350 kcmil	<b>B-650</b>	4	200	B-106
500 kcmil	<b>B-652</b>	4	200	B-106
750 kcmil	<b>B-653</b>	5	2-150	B-106
1000 kcmil	<b>B-654</b>	5	2-200	B-107

**TYPE BCS-8 MOLDS**

**Horizontal Cable to  
Horizontal Steel Surface**



Type BCS-8 Molds are used to terminate a horizontal copper cable to any horizontal steel surface. Note that the cable is ON the surface. Size range is #6 through 1000 kcmil solid or concentric stranded copper conductors. Contact BURNDY® for information on molds for conductors not listed below.

**NOTES:**

- For sizes not listed, contact BURNDY®
- Molds listed are for concentric stranded cable; add suffix "-S" to mold number for solid conductors
- For heavy duty molds, molds with wear plates or molds for Copperweld® cable, contact BURNDY®
- For expedited service, contact BURNDY®

**Required Tools:**

Handle Clamps - see chart for correct handle catalog number

**Recommended Accessories:**

**B38-0309-00** Flint Ignitor; **B38-3922-00** Mold Cleaning Brush; **B38-0135-00** Cable Cleaning Brush; **B38-0330-00** Cable Clamp

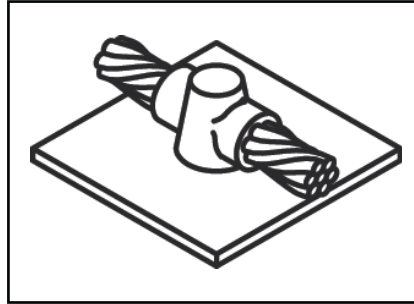
① **B38-0309-00** Flint ignitor included

Cable Size	Mold Number	Price Key	Weld Metal	Handle Clamps
#6	<b>B-628</b>	3 ①	45	Incl.
#4	<b>B-629</b>	3 ①	45	Incl.
#2	<b>B-630</b>	3 ①	45	Incl.
#1	<b>B-631</b>	3 ①	65	Incl.
1/0	<b>B-7146</b>	4	90	B-106
2/0	<b>B-7075</b>	4	90	B-106
3/0	<b>B-2199</b>	4	115	B-106
4/0	<b>B-6114</b>	4	115	B-106
250 kcmil	<b>B-2200</b>	4	115	B-106
300 kcmil	<b>B-2506</b>	4	150	B-106
350 kcmil	<b>B-2507</b>	4	200	B-106
500 kcmil	<b>B-2509</b>	4	200	B-106
750 kcmil	<b>B-2542</b>	5	2-150	B-107
1000 kcmil	<b>B-2511</b>	5	2-200	B-107

## TYPE BCS-2 MOLDS

### Horizontal Through Cable to Horizontal Steel Surface

Type BCS-2 Molds are used to join horizontal through copper cable to any horizontal steel surface. Note the cable is OFF the surface. Size range is 1/0 through 1000 kcmil solid or concentric stranded copper conductors. Contact BURNDY® for information on molds for conductors not listed below.



#### NOTES:

- For sizes not listed, contact BURNDY®
- Molds listed are for concentric stranded cable; add suffix "-S" to mold number for solid conductors
- For heavy duty molds, molds with wear plates or molds for Copperweld® cable, contact BURNDY®
- For expedited service, contact BURNDY®

#### Required Tools:

Handle Clamps - see chart for correct handle catalog number

#### Recommended Accessories:

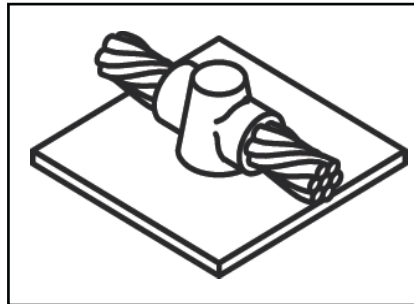
**B38-0309-00** Flint Ignitor; **B38-3922-00** Mold Cleaning Brush; **B38-0135-00** Cable Cleaning Brush; **B38-0330-00** Cable Clamp

Cable Size	Mold Number	Price Key	Weld Metal	Handle Clamps
1/0	<b>B-616</b>	4	90	B-106
2/0	<b>B-617</b>	4	115	B-106
3/0	<b>B-618</b>	4	115	B-106
4/0	<b>B-619</b>	4	150	B-106
250 kcmil	<b>B-620</b>	4	150	B-106
300 kcmil	<b>B-621</b>	4	200	B-106
350 kcmil	<b>B-622</b>	4	250	B-106
500 kcmil	<b>B-624</b>	5	2-150	B-107
750 kcmil	<b>B-625-H</b>	5	3-250	B-107
1000 kcmil	<b>B-626-H</b>	5	2-500	B-107

## TYPE BCS-9 MOLDS

### Horizontal Through Cable to Horizontal Steel Surface

Type BCS-9 Molds are used to join horizontal through copper cable to any horizontal steel surface. Note the cable is ON the surface. Size range is #6 through 500 kcmil solid or concentric stranded copper conductors. Contact BURNDY® Products for information on molds for conductors not listed below.



#### NOTES:

- For sizes not listed, contact BURNDY®
- Molds listed are for concentric stranded cable; add suffix "-S" to mold number for solid conductors
- For heavy duty molds, molds with wear plates or molds for Copperweld® cable, contact BURNDY®
- For expedited service, contact BURNDY®

#### Required Tools:

Handle Clamps - see chart for correct handle catalog number

#### Recommended Accessories:

**B38-0309-00** Flint Ignitor; **B38-3922-00** Mold Cleaning Brush; **B38-0135-00** Cable Cleaning Brush; **B38-0330-00** Cable Clamp

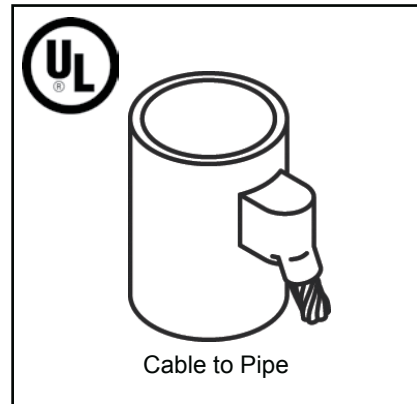
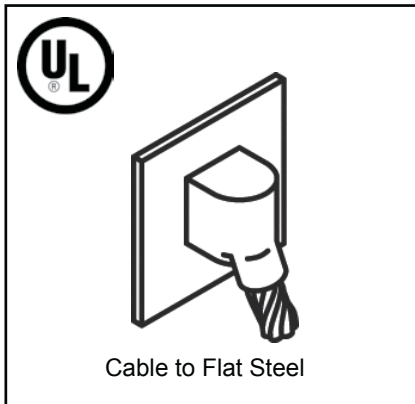
① **B38-0309-00** Flint ignitor included

Cable Size	Mold Number	Price Key	Weld Metal	Handle Clamps
#6	<b>B-602</b>	3 ①	45	Incl.
#4	<b>B-603</b>	3 ①	45	Incl.
#2	<b>B-604</b>	3 ①	45	Incl.
#1	<b>B-605</b>	3 ①	65	Incl.
1/0	<b>B-8379</b>	4	90	B-106
2/0	<b>B-5331</b>	4	115	B-106
3/0	<b>B-8381</b>	4	115	B-106
4/0	<b>B-7192</b>	4	150	B-106
250 kcmil	<b>B-8413</b>	4	150	B-106
300 kcmil	<b>B-8423</b>	4	200	B-106
350 kcmil	<b>B-8410</b>	4	250	B-106
500 kcmil	<b>B-5065</b>	5	2-150	B-107

**TYPE BCS-3 MOLDS**

**Angular Cable Drop to Vertical  
Steel Surface**

Type BCS-3 Molds are used to join the end of a copper cable at a 45° angle to a vertical steel surface. Size range is #6 through 1000 kcmil solid or concentric stranded copper conductors. Contact BURNDY® for information on molds for conductors not listed below.



Cable Size	Pipe Size	Mold Number	Price Key	Weld Metal	Handle Clamps
#6	Flat Steel Only	<b>B-585</b>	4	45	B-106
#4	12" & up	<b>B-586</b> ①	4	45	B-106
#3	Flat Steel Only	<b>B-587</b>	4	45	B-106
#2	12" & up	<b>B-588</b> ①	4	45	B-106
#1	12" & up	<b>B-589</b> ①	4	65	B-106
1/0	12" & up	<b>B-590</b> ①	4	90	B-106
2/0	12" & up	<b>B-591</b> ①	4	90	B-106
3/0	12" & up	<b>B-592</b> ①	4	115	B-106
4/0	12" & up	<b>B-593</b> ①	4	115	B-106
250 kcmil	Flat Steel Only	<b>B-594</b>	4	115	B-106
300 kcmil	Flat Steel Only	<b>B-595</b>	4	150	B-106
350 kcmil	Flat Steel Only	<b>B-596</b>	4	200	B-106
500 kcmil	Flat Steel Only	<b>B-598</b>	4	200	B-106
750 kcmil	Flat Steel Only	<b>B-599</b>	5	2-150	B-106
1000 kcmil	Flat Steel Only	<b>B-600</b>	5	2-200	B-106
#4	1-1/4" to 4"	<b>B-2476</b>	4	45	B-106
#4	4" to 6"	<b>B-2477</b>	4	45	B-106
#4	6" to 10"	<b>B-2478</b>	4	45	B-106
#2 Sol	1-1/4" to 4"	<b>B-9233-S</b>	4	45	B-106
#2 Sol	4" to 6"	<b>B-2480-S</b>	4	45	B-106
#2 Sol	6" to 10"	<b>B-2583-S</b>	4	45	B-106
#2 Sol	12" & up	<b>B-588-S</b> ①	4	45	B-106
#2	1-1/4" to 4"	<b>B-9233</b>	4	45	B-106
#2	4" to 6"	<b>B-2480</b>	4	45	B-106
#2	6" to 10"	<b>B-2583</b>	4	45	B-106
#1	1-1/4" to 4"	<b>B-2482</b>	4	65	B-106
#1	4" to 6"	<b>B-2483</b>	4	65	B-106
#1	6" to 10"	<b>B-2484</b>	4	65	B-106
1/0	1-1/4" to 4"	<b>B-2486</b>	4	90	B-106
1/0	4" to 6"	<b>B-2487</b>	4	90	B-106
1/0	6" to 10"	<b>B-2488</b>	4	90	B-106

Cable Size	Pipe Size	Mold Number	Price Key	Weld Metal	Handle Clamps
2/0	1-1/4" to 4"	<b>B-8833</b>	4	90	B-106
2/0	4" to 6"	<b>B-2490</b>	4	90	B-106
2/0	6" to 10"	<b>B-2491</b>	4	90	B-106
3/0	1-1/4" to 4"	<b>B-2493</b>	4	115	B-106
3/0	4" to 6"	<b>B-2494</b>	4	115	B-106
3/0	6" to 10"	<b>B-2495</b>	4	115	B-106
4/0	1-1/4" to 4"	<b>B-9021</b>	4	115	B-106
4/0	4" to 6"	<b>B-2497</b>	4	115	B-106
4/0	6" to 10"	<b>B-2498</b>	4	115	B-106

① Flat Surface Mold; These items can be used to Flat Steel or to Pipe

**NOTES:**

- For sizes not listed, contact BURNDY®
- Molds listed are for concentric stranded cable; add suffix "-S" to mold number for solid conductors
- For heavy duty molds, molds with wear plates or molds for Copperweld® cable, contact BURNDY®
- For expedited service, contact BURNDY®

**Required Tools:**

Handle Clamps - see chart for correct handle catalog number

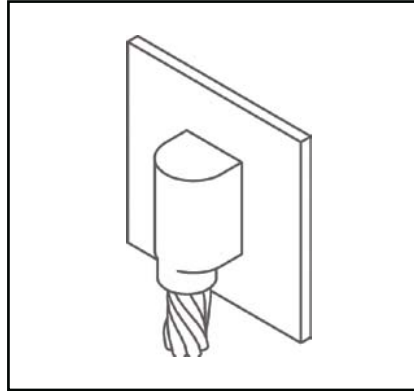
**Recommended Accessories:**

- B38-0309-00** Flint Ignitor
- B38-3922-00** Mold Cleaning Brush
- B38-0135-00** Cable Cleaning Brush
- B38-0330-00** Cable Clamp

## TYPE BCS-23 MOLDS

### Vertical Cable Drop to Vertical Steel Surface

Type BCS-23 Molds are used to join vertical cable down to a vertical steel surface. Note that the cable is OFF the surface. Size range is #6 through 500 kcmil solid or concentric stranded copper conductors. Contact BURNDY® for information on molds for conductors not listed below.



#### NOTES:

- For sizes not listed, contact BURNDY®
- Molds listed are for concentric stranded cable; add suffix "-S" to mold number for solid conductors
- For heavy duty molds, molds with wear plates or molds for Copperweld® cable, contact BURNDY®
- For expedited service, contact BURNDY®

#### Required Tools:

Handle Clamps - see chart for correct handle catalog number

#### Recommended Accessories:

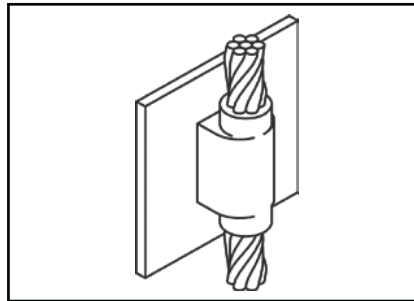
**B38-0309-00** Flint Ignitor; **B38-3922-00** Mold Cleaning Brush; **B38-0135-00** Cable Cleaning Brush; **B38-0330-00** Cable Clamp

Cable Size	Mold Number	Price Key	Weld Metal	Handle Clamps
#6	<b>B-5389</b>	4	45	B-106
#4	<b>B-5359</b>	4	65	B-106
#2	<b>B-2781</b>	4	65	B-106
#1	<b>B-5361</b>	4	90	B-106
1/0	<b>B-2189</b>	4	115	B-106
2/0	<b>B-2540</b>	4	115	B-106
3/0	<b>B-5362</b>	4	150	B-106
4/0	<b>B-8718</b>	4	150	B-106
250 kcmil	<b>B-8165</b>	4	200	B-106
300 kcmil	<b>B-5363</b>	4	200	B-106
350 kcmil	<b>B-9029</b>	4	250	B-106
500 kcmil	<b>B-8512</b>	17	2-150	B-106

## TYPE BCS-4 MOLDS

### Vertical Through Cable to Vertical Steel Surface

Type BCS-4 Molds are used to join a vertical through copper cable to a vertical steel surface. Note that the cable is OFF the surface. For molds with the cable on the surface, contact BURNDY®. Size range is #6 through 500 kcmil solid or concentric stranded copper conductors. Contact BURNDY® for information on molds for conductors not listed.



#### NOTES:

- For sizes not listed, contact BURNDY®
- Molds listed are for concentric stranded cable; add suffix "-S" to mold number for solid conductors
- For heavy duty molds, molds with wear plates or molds for Copperweld® cable, contact BURNDY®
- For expedited service, contact BURNDY®

#### Required Tools:

Handle Clamps - see chart for correct handle catalog number

#### Recommended Accessories:

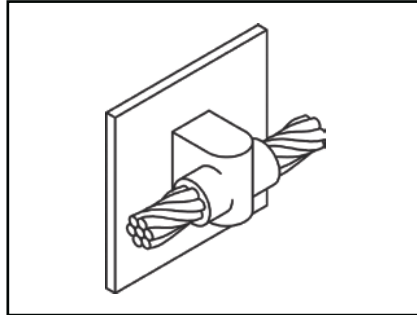
**B38-0309-00** Flint Ignitor; **B38-3922-00** Mold Cleaning Brush; **B38-0135-00** Cable Cleaning Brush; **B38-0330-00** Cable Clamp

Cable Size	Mold Number	Price Key	Weld Metal	Handle Clamps
#6	<b>B-1215</b>	4	90	B-106
#4	<b>B-1216</b>	4	90	B-106
#2	<b>B-1218</b>	4	115	B-106
#1	<b>B-1219</b>	4	115	B-106
1/0	<b>B-1220</b>	17	200	B-106
2/0	<b>B-1221</b>	17	200	B-106
3/0	<b>B-1222</b>	17	250	B-106
4/0	<b>B-1223</b>	17	250	B-106
250 kcmil	<b>B-1224</b>	17	250	B-106
300 kcmil	<b>B-1225-H</b>	6	500	B-107
350 kcmil	<b>B-1226-H</b>	6	3-200	B-107
500 kcmil	<b>B-1228-H</b>	6	3-250	B-107



**TYPE BCS-6 MOLDS**

**Horizontal Through Cable to  
Vertical Steel Surface**



Type BCS-6 Molds are used to join horizontal through copper cable to a vertical steel surface. Note that the cable is OFF the surface. Size range is #6 through 250 kcmil solid or concentric stranded copper conductors. Contact BURNDY® for information on molds for conductors not listed below.

Cable Size	Mold Number	Price Key	Weld Metal	Handle Clamps
#6	<b>B-1626</b>	4	65	B-106
#4	<b>B-1627</b>	4	65	B-106
#2	<b>B-1628</b>	4	65	B-106
#1	<b>B-1629</b>	4	90	B-106
1/0	<b>B-1630</b>	4	115	B-106
2/0	<b>B-1631</b>	4	115	B-106
3/0	<b>B-1632</b>	4	150	B-106
4/0	<b>B-1633</b>	4	150	B-106
250 kcmil	<b>B-1634</b>	4	150	B-106

**NOTES:**

- For sizes not listed, contact BURNDY®
- Molds listed are for concentric stranded cable; add suffix "-S" to mold number for solid conductors
- For heavy duty molds, molds with wear plates or molds for Copperweld® cable, contact BURNDY®
- For expedited service, contact BURNDY®

**Required Tools:**

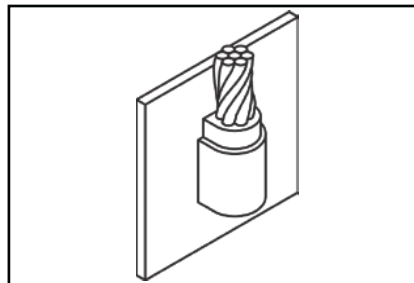
Handle Clamps - see chart for correct handle catalog number

**Recommended Accessories:**

- B38-0309-00** Flint Ignitor
- B38-3922-00** Mold Cleaning Brush
- B38-0135-00** Cable Cleaning Brush
- B38-0330-00** Cable Clamp

**TYPE BCS-7 MOLDS**

**Overhead Vertical Tap Cable to  
Vertical Steel Surface**



Type BCS-7 Molds are used to join an overhead vertical copper conductor drop tap to a vertical steel surface. Size range is #6 through 1000 kcmil solid or concentric stranded copper conductors. Contact BURNDY® for information on molds for conductors not listed.

**NOTES:**

- For sizes not listed, contact BURNDY®
- Molds listed are for concentric stranded cable; add suffix "-S" to mold number for solid conductors
- For heavy duty molds, molds with wear plates or molds for Copperweld® cable, contact BURNDY®
- For expedited service, contact BURNDY®

**Required Tools:**

Handle Clamps - see chart for correct handle catalog number

**Recommended Accessories:**

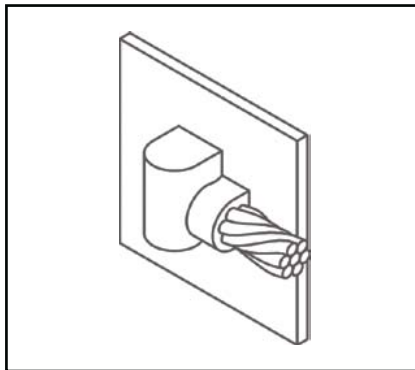
- B38-0309-00** Flint Ignitor
- B38-3922-00** Mold Cleaning Brush
- B38-0135-00** Cable Cleaning Brush
- B38-0330-00** Cable Clamp

Cable Size	Mold Number	Price Key	Weld Metal	Handle Clamps
#6	<b>B-1635</b>	4	65	B-106
#4	<b>B-1636</b>	4	65	B-106
#3	<b>B-1637</b>	4	65	B-106
#2	<b>B-1638</b>	4	65	B-106
#1	<b>B-1639</b>	4	90	B-106
1/0	<b>B-1640</b>	4	150	B-106
2/0	<b>B-1641</b>	4	150	B-106
3/0	<b>B-1642</b>	17	200	B-106
4/0	<b>B1643</b>	17	200	B-106
250 kcmil	<b>B-1644</b>	17	200	B-106
300 kcmil	<b>B-1645</b>	17	250	B-106
350 kcmil	<b>B-1646</b>	6	2-150	B-107
500 kcmil	<b>B-1648</b>	6	2-200	B-107
750 kcmil	<b>B-1649</b>	6	500	B-107
1000 kcmil	<b>B-1650</b>	6	3-200	B-107

## TYPE BCS-18 MOLDS

### Horizontal Tap Cable to Vertical Steel Surface

Type BCS-18 Molds are used to connect a horizontal conductor to a vertical steel surface. Note that the cable is ON the surface. Size range is #6 through 500 kcmil solid or concentric stranded copper conductors. Contact BURNDY® for information on molds for conductors not listed below.



#### NOTES:

- For sizes not listed, contact BURNDY®
- Molds listed are for concentric stranded cable; add suffix "-S" to mold number for solid conductors
- For heavy duty molds, molds with wear plates or molds for Copperweld® cable, contact BURNDY®
- For expedited service, contact BURNDY®

#### Required Tools:

Handle Clamps - see chart for correct handle catalog number

#### Recommended Accessories:

**B38-0309-00** Flint Ignitor; **B38-3922-00** Mold Cleaning Brush; **B38-0135-00** Cable Cleaning Brush; **B38-0330-00** Cable Clamp

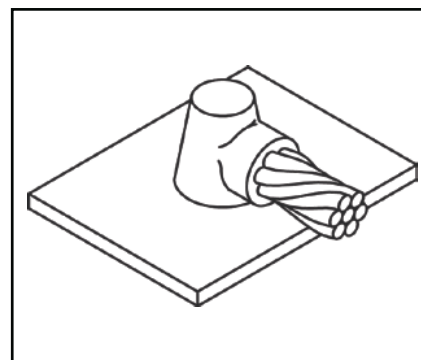
Cable Size	Mold Number	Price Key	Weld Metal	Handle Clamps
#6	<b>B-5910</b>	4	45	B-106
#4	<b>B-2761</b>	4	45	B-106
#1	<b>B-6060</b>	4	65	B-106
1/0	<b>B-5419</b>	4	90	B-106
2/0	<b>B-2567</b>	4	90	B-106
3/0	<b>B-6072</b>	4	115	B-106
4/0	<b>B-9253</b>	4	115	B-106
250 kcmil	<b>B-2568</b>	4	115	B-106
300 kcmil	<b>B-6061</b>	4	150	B-106
350 kcmil	<b>B-6067</b>	4	200	B-106
500 kcmil	<b>B-8359</b>	4	200	B-106

## TYPE BCS-5 MOLDS

### Horizontal Cable Tap to Horizontal Cast Iron Surface

Type BCS-5 Molds are used to join horizontal cable taps to horizontal cast iron surfaces. Note that the cable is ON the surface. Size range is #6 through #1 solid or concentric stranded copper conductors. Contact BURNDY® for information on molds for conductors not listed below.

**DO NOT use Type BCS-5 molds on Soil Pipe (ASTM A74-82). A test weld should be made on a section of pipe being used to determine the possibility of detrimental metallurgical effects.**



#### NOTES:

- For sizes not listed, contact BURNDY®
- Molds listed are for concentric stranded cable; add suffix "-S" to mold number for solid conductors
- For heavy duty molds, molds with wear plates or molds for Copperweld® cable, contact BURNDY®
- For expedited service, contact BURNDY®

#### Required Tools:

Handle Clamps - see chart for correct handle catalog number

#### Recommended Accessories:

**B38-0309-00** Flint Ignitor  
**B38-3922-00** Mold Cleaning Brush  
**B38-0135-00** Cable Cleaning Brush  
**B38-0330-00** Cable Clamp

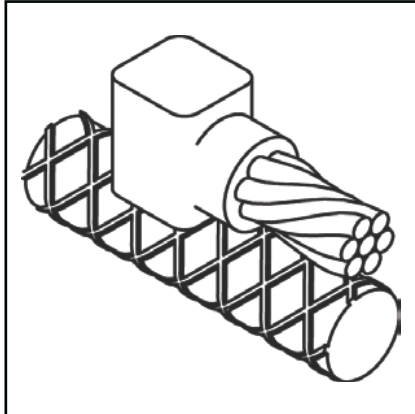
Cable Size	Mold Number	Price Key	Weld Metal	Handle Clamps
#6 Sol	<b>B-1613</b>	3 ①	2SCI	Incl.
#6	<b>B-1614</b>	3 ①	25CI	Incl.
#4 Sol	<b>B-1615</b>	3 ①	45CI	Incl.
#4	<b>B-1616</b>	3 ①	45CI	Incl.
#2 Sol	<b>B-1617</b>	3 ①	45CI	Incl.
#2	<b>B-1618</b>	3 ①	45CI	Incl.
#1 Sol	<b>B-1619</b>	3 ①	65CI	Incl.
#1	<b>B-1620</b>	3 ①	65CI	Incl.

① B38-0309-00 Flint ignitor included

**TYPE BCRE-1 MOLDS**

**Horizontal Parallel Tap to Rebar**

Type BCRE-1 Molds are recommended for parallel, horizontal connections for solid or concentric stranded conductors #6 through 4/0 joined to reinforcing bars #3 through #6 and larger. The high copper content joint has a higher current carrying capacity than the conductors being joined and is impervious to vibration and moisture. Contact BURNDY® for information on molds for conductors not listed below.



**PACKING MATERIAL NOTE**

A packing pad is necessary when making BURNDYWeld® connections to rebar. Packing material B38032900 is copper shim stock. Packing material numbers B38406100, B38406200 and B38406300 are a ceramic fiber material and can be used for one connection only. Be sure to specify packing material catalog number when ordering mold and weld metal.

Rebar Size	Cable Size	Mold Number	Packing Material	Price Key	Weld Metal	Handle Clamps
3	#6	<b>B-7500</b>	B38032900	4	25	B-106
	#4	<b>B-7501</b>	B38032900	4	32	B-106
	#2	<b>B-7502</b>	B38032900	4	45	B-106
	#1	<b>B-7503</b>	B38032900	4	65	B-106
	1/0	<b>B-7504</b>	B38032900	4	90	B-106
	2/0	<b>B-7505</b>	B38032900	4	90	B-106
	3/0	<b>B-7506</b>	B38032900	4	115	B-106
4 & Larger	4/0	<b>B-7507</b>	B38032900	4	115	B-106
	#6	<b>B-7508</b>	B38406100	3 ①	25	Incl.
	#4	<b>B-7509</b>	B38406100	3 ①	32	Incl.
	#2	<b>B-7510</b>	B38406100	3 ①	45	Incl.
4	#1	<b>B-7511</b>	B38406100	3 ①	65	Incl.
	1/0	<b>B-7512</b>	B38032900	4	90	B-106
	2/0	<b>B-7513</b>	B38032900	4	90	B-106
	3/0	<b>B-7514</b>	B38032900	4	115	B-106
	4/0	<b>B-7515</b>	B38032900	4	115	B-106
5	1/0	<b>B-7520</b>	B38032900	4	90	B-106
	2/0	<b>B-7521</b>	B38032900	4	90	B-106
	3/0	<b>B-7522</b>	B38032900	4	115	B-106
	4/0	<b>B-7523</b>	B38032900	4	115	B-106
6 & Larger	1/0	<b>B-7528</b>	B38406200	14+	90	Incl.
	2/0	<b>B-7529</b>	B38406200	14+	90	Incl.
	3/0	<b>B-7530</b>	B38406200	14+	115	Incl.
	4/0	<b>B-7531</b>	B38406200	14+	115	Incl.

**NOTES:**

- For sizes not listed, contact BURNDY®
- Molds listed are for concentric stranded cable; add suffix "-S" to mold number for solid conductors
- For heavy duty molds, molds with wear plates or molds for Copperweld® cable, contact BURNDY®
- For expedited service, contact BURNDY®

**Required Tools:**

Handle Clamps - see chart for correct handle catalog number

**Recommended Accessories:**

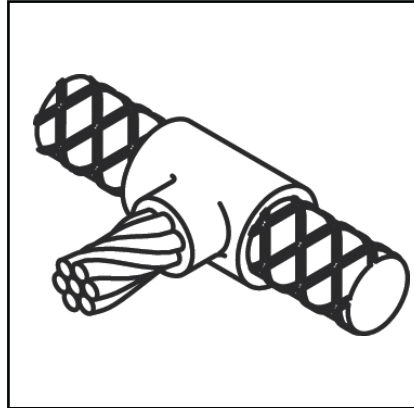
- B38-0309-00** Flint Ignitor
- B38-3922-00** Mold Cleaning Brush
- B38-0135-00** Cable Cleaning Brush
- B38-0330-00** Cable Clamp

① B38-0309-00 Flint ignitor included

## TYPE BCRE-2 MOLDS

### Horizontal Cable Tap to Horizontal Rebar Run

Type BCRE-2 Molds are recommended for right angle, horizontal connections for solid or concentric stranded conductors #6 through 4/0 joined to reinforcing bars #3 through #6. The high copper content joint has a higher current carrying capacity than the conductors being joined and is impervious to vibration and moisture.



### PACKING MATERIAL NOTE

A packing pad is necessary when making BURNDYWeld® connections to rebar. Packing material B38032900 is copper shim stock. Packing material numbers B38406100, B38406200 and B38406300 are a ceramic fiber material and can be used for one connection only. Be sure to specify packing material catalog number when ordering mold and weld metal.

Rebar Size	Cable Size	Mold Number	Packing Material	Price Key	Weld Metal	Handle Clamps
3	#6	<b>B-7588</b>	B38032900	4	45	B-106
	#4	<b>B-7589</b>	B38032900	4	45	B-106
	#2	<b>B-7590</b>	B38032900	4	65	B-106
	#1	<b>B-7591</b>	B38032900	4	65	B-106
	1/0	<b>B-7592</b>	B38032900	4	90	B-106
	2/0	<b>B-7593</b>	B38032900	4	90	B-106
	3/0	<b>B-7594</b>	B38032900	4	115	B-106
	4/0	<b>B-7595</b>	B38032900	4	115	B-106
4	#6	<b>B-7596</b>	B38032900	4	45	B-106
	#4	<b>B-7597</b>	B38032900	4	45	B-106
	#2	<b>B-7598</b>	B38032900	4	65	B-106
	#1	<b>B-7599</b>	B38032900	4	65	B-106
	1/0	<b>B-7600</b>	B38032900	4	90	B-106
	2/0	<b>B-7601</b>	B38032900	4	90	B-106
	3/0	<b>B-7602</b>	B38032900	4	115	B-106
	4/0	<b>B-7603</b>	B38032900	4	115	B-106
5	#6	<b>B-7604</b>	B38032900	4	90	B-106
	#4	<b>B-7605</b>	B38032900	4	90	B-106
	#2	<b>B-7606</b>	B38032900	4	90	B-106
	#1	<b>B-7607</b>	B38032900	4	90	B-106
	1/0	<b>B-7608</b>	B38032900	4	115	B-106
	2/0	<b>B-7609</b>	B38032900	4	115	B-106
	3/0	<b>B-7610</b>	B38032900	4	150	B-106
	4/0	<b>B-7611</b>	B38032900	4	150	B-106
6	#6	<b>B-7612</b>	B38032900	4	90	B-106
	#4	<b>B-7613</b>	B38032900	4	90	B-106
	#2	<b>B-7614</b>	B38032900	4	90	B-106
	#1	<b>B-7615</b>	B38032900	4	90	B-106
	1/0	<b>B-7616</b>	B38032900	4	115	B-106
	2/0	<b>B-7617</b>	B38032900	4	115	B-106
	3/0	<b>B-7618</b>	B38032900	4	150	B-106
	4/0	<b>B-7619</b>	B38032900	4	150	B-106

### NOTES:

- For sizes not listed, contact BURNDY®
- Molds listed are for concentric stranded cable; add suffix "-S" to mold number for solid conductors
- For heavy duty molds, molds with wear plates or molds for Copperweld® cable, contact BURNDY®
- For expedited service, contact BURNDY®

### Required Tools:

Handle Clamps - see chart for correct handle catalog number

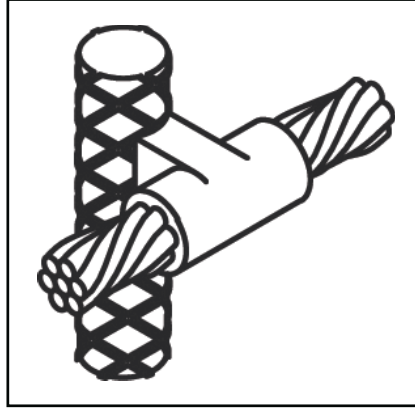
### Recommended Accessories:

**B38-0309-00** Flint Ignitor  
**B38-3922-00** Mold Cleaning Brush  
**B38-0135-00** Cable Cleaning Brush  
**B38-0330-00** Cable Clamp

**TYPE BCRE-3 MOLDS**

**Horizontal through Cable to  
Vertical Rebar**

Type BCRE-3 Molds are recommended for horizontal conductors to vertical rebar connections for solid or concentric stranded conductors #6 through 4/0 joined to reinforcing bars #3 through #7 & larger. The high copper content joint has a higher current carrying capacity than the conductors being joined and is impervious to vibration and moisture. Contact BURNDY® for information on molds for conductors not listed below.



**PACKING MATERIAL NOTE**

A packing pad is necessary when making BURNDYWeld® connections to rebar. Packing material B38032900 is copper shim stock. Packing material numbers B38406100, B38406200 and B38406300 are a ceramic fiber material and can be used for one connection only. Be sure to specify packing material catalog number when ordering mold and weld metal.

Rebar Size	Cable Size	Mold Number	Packing Material	Price Key	Weld Metal	Handle Clamps
3	#6	<b>B-7620</b>	B38032900	24	90	B-106
	#4	<b>B-7621</b>	B38032900	24	90	B-106
	#2	<b>B-7622</b>	B38032900	24	90	B-106
	#1	<b>B-7623</b>	B38032900	24	115	B-106
	1/0	<b>B-7624</b>	B38032900	24	115	B-106
	2/0	<b>B-7625</b>	B38032900	24	115	B-106
	3/0	<b>B-7626</b>	B38032900	24	150	B-106
	4/0	<b>B-7627</b>	B38032900	24	150	B-106
4	#6	<b>B-7628</b>	B38032900	24	90	B-106
	#4	<b>B-7629</b>	B38032900	24	90	B-106
	#2	<b>B-7630</b>	B38032900	24	90	B-106
	#1	<b>B-7631</b>	B38032900	24	115	B-106
	1/0	<b>B-7632</b>	B38032900	24	115	B-106
	2/0	<b>B-7633</b>	B38032900	24	115	B-106
	3/0	<b>B-7634</b>	B38032900	24	150	B-106
	4/0	<b>B-7635</b>	B38032900	24	150	B-106
5	#6	<b>B-7636</b>	B38032900	24	90	B-106
	#4	<b>B-7637</b>	B38032900	24	90	B-106
	#2	<b>B-7638</b>	B38032900	24	90	B-106
	#1	<b>B-7639</b>	B38032900	24	115	B-106
	1/0	<b>B-7640</b>	B38032900	24	115	B-106
	2/0	<b>B-7641</b>	B38032900	24	115	B-106
	3/0	<b>B-7642</b>	B38032900	24	150	B-106
	4/0	<b>B-7643</b>	B38032900	24	150	B-106

Rebar Size	Cable Size	Mold Number	Packing Material	Price Key	Weld Metal	Handle Clamps
6	#6	<b>B-7644</b>	B38032900	24	90	B-106
	#4	<b>B-7645</b>	B38032900	24	90	B-106
	#2	<b>B-7646</b>	B38032900	24	90	B-106
	#1	<b>B-7647</b>	B38032900	24	115	B-106
	1/0	<b>B-7648</b>	B38032900	24	115	B-106
	2/0	<b>B-7649</b>	B38032900	24	115	B-106
	3/0	<b>B-7650</b>	B38032900	24	150	B-106
	4/0	<b>B-7651</b>	B38032900	24	150	B-106
7 & Larger	#6	<b>B-7652</b>	B38406300	4	90	B-106-41
	#4	<b>B-7653</b>	B38406300	4	90	B-106-41
	#2	<b>B-7654</b>	B38406300	4	90	B-106-41
	#1	<b>B-7655</b>	B38406300	4	115	B-106-41
	1/0	<b>B-7656</b>	B38406300	4	115	B-106-41
	2/0	<b>B-7657</b>	B38406300	4	115	B-106-41
	3/0	<b>B-7658</b>	B38406300	4	150	B-106-41
	4/0	<b>B-7659</b>	B38406300	4	150	B-106-41

**NOTES:**

- For sizes not listed, contact BURNDY®
- Molds listed are for concentric stranded cable; add suffix "-S" to mold number for solid conductors
- For heavy duty molds, molds with wear plates or molds for Copperweld® cable, contact BURNDY®
- For expedited service, contact BURNDY®

**Required Tools:**

Handle Clamps - see chart for correct handle catalog number

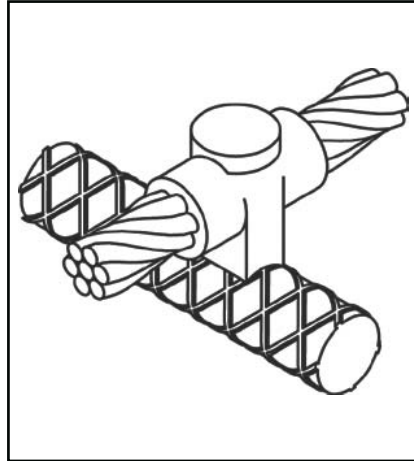
**Recommended Accessories:**

- B38-0309-00** Flint Ignitor
- B38-3922-00** Mold Cleaning Brush
- B38-0135-00** Cable Cleaning Brush
- B38-0330-00** Cable Clamp

## TYPE BCRE-4 MOLDS

### Horizontal through Cable to Horizontal Rebar

Type BCRE-4 Molds are recommended for horizontal through conductors to horizontal rebar at right angle connections for solid or concentric stranded conductors #6 through 4/0 joined to reinforcing bars #3 through #6 & larger. The high copper content joint has a higher current carrying capacity than the conductors being joined and is impervious to vibration and moisture. Contact BURNDY® for information on molds for conductors not listed below.



### PACKING MATERIAL NOTE

A packing pad is necessary when making BURNDYWeld® connections to rebar. Packing material B38032900 is copper shim stock. Packing material numbers B38406100, B38406200 and B38406300 are a ceramic fiber material and can be used for one connection only. Be sure to specify packing material catalog number when ordering mold and weld metal.

Rebar Size	Cable Size	Mold Number	Packing Material	Price Key	Weld Metal	Handle Clamps
3	#6	B-7708	B38032900	4	90	B-106
	#4	B-7709	B38032900	4	90	B-106
	#2	B-7710	B38032900	4	90	B-106
	#1	B-7711	B38032900	4	115	B-106
	1/0	B-7712	B38032900	22	115	B-106
	2/0	B-7713	B38032900	22	115	B-106
	3/0	B-7714	B38032900	22	150	B-106
	4/0	B-7715	B38032900	22	150	B-106
4	#6	B-7716	B38032900	4	90	B-106
	#4	B-7717	B38032900	4	90	B-106
	#2	B-7718	B38032900	4	90	B-106
	#1	B-7719	B38032900	22	115	B-106
	1/0	B-7720	B38032900	22	115	B-106
	2/0	B-7721	B38032900	22	115	B-106
	3/0	B-7722	B38032900	22	150	B-106
	4/0	B-7723	B38032900	22	150	B-106
5	#6	B-7724	B38032900	4	90	B-106
	#4	B-7725	B38032900	4	90	B-106
	#2	B-7726	B38032900	4	90	B-106
	#1	B-7727	B38032900	22	115	B-106
	1/0	B-7728	B38032900	22	115	B-106
	2/0	B-7729	B38032900	22	115	B-106
	3/0	B-7730	B38032900	22	150	B-106
	4/0	B-7731	B38032900	22	150	B-106
6 & Larger	#6	B-7732	B38406100	14 ①	90	Incl.
	#4	B-7733	B38406100	14 ①	90	Incl.
	#2	B-7734	B38406100	14 ①	90	Incl.
	#1	B-7735	B38406100	14 ①	115	Incl.
	1/0	B-7736	B38406200	14 ①	115	Incl.
	2/0	B-7737	B38406200	14 ①	115	Incl.
	3/0	B-7738	B38406200	14 ①	150	Incl.
	4/0	B-7739	B38406200	14 ①	150	Incl.

### NOTES:

- For sizes not listed, contact BURNDY®
- Molds listed are for concentric stranded cable; add suffix "-S" to mold number for solid conductors
- For heavy duty molds, molds with wear plates or molds for Copperweld® cable, contact BURNDY®
- For expedited service, contact BURNDY®

### Required Tools:

Handle Clamps - see chart for correct handle catalog number

### Recommended Accessories:

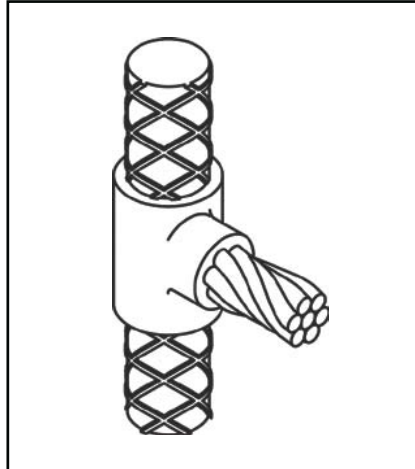
**B38-0309-00** Flint Ignitor  
**B38-3922-00** Mold Cleaning Brush  
**B38-0135-00** Cable Cleaning Brush  
**B38-0330-00** Cable Clamp

① B38-0309-00 Flint ignitor included

**TYPE BCRE-6 MOLDS**

**Horizontal Cable Tap to  
Vertical Rebar**

Type BCRE-6 Molds are recommended for horizontal conductors terminating at right angles to vertical rebar connections for solid or concentric stranded conductors #6 through 4/0 joined to reinforcing bars #3 through #7 and larger. The high copper content joint has a higher current carrying capacity than the conductors being joined and is impervious to vibration and moisture.



**PACKING MATERIAL NOTE**

A packing pad is necessary when making BURNDYWeld® connections to rebar. Packing material B38032900 is copper shim stock. Packing material numbers B38406100, B38406200 and B38406300 are a ceramic fiber material and can be used for one connection only. Be sure to specify packing material catalog number when ordering mold and weld metal.

Contact BURNDY® for information on molds for conductors not listed below.

Rebar Size	Cable Size	Mold Number	Packing Material	Price Key	Weld Metal	Handle Clamps
3	#6	<b>B-7884</b>	B38032900	4	90	B-106
	#4	<b>B-7885</b>	B38032900	4	90	B-106
	#2	<b>B-7886</b>	B38032900	4	90	B-106
	#1	<b>B-7887</b>	B38032900	4	115	B-106
	1/0	<b>B-7888</b>	B38032900	4	115	B-106
	2/0	<b>B-7889</b>	B38032900	4	115	B-106
	3/0	<b>B-7890</b>	B38032900	4	150	B-106
	4/0	<b>B-7891</b>	B38032900	4	150	B-106
4	#6	<b>B-7892</b>	B38032900	4	90	B-106
	#4	<b>B-7893</b>	B38032900	4	90	B-106
	#2	<b>B-7894</b>	B38032900	4	90	B-106
	#1	<b>B-7895</b>	B38032900	4	115	B-106
	1/0	<b>B-7896</b>	B38032900	4	115	B-106
	2/0	<b>B-7897</b>	B38032900	4	115	B-106
	3/0	<b>B-7898</b>	B38032900	4	150	B-106
	4/0	<b>B-7899</b>	B38032900	4	150	B-106
5	#6	<b>B-7900</b>	B38032900	4	90	B-106
	#4	<b>B-7901</b>	B38032900	4	90	B-106
	#2	<b>B-7902</b>	B38032900	4	90	B-106
	#1	<b>B-7903</b>	B38032900	4	115	B-106
	1/0	<b>B-7904</b>	B38032900	4	115	B-106
	2/0	<b>B-7905</b>	B38032900	4	115	B-106
	3/0	<b>B-7906</b>	B38032900	4	150	B-106
	4/0	<b>B-7907</b>	B38032900	4	150	B-106

Rebar Size	Cable Size	Mold Number	Packing Material	Price Key	Weld Metal	Handle Clamps
6	#6	<b>B-7908</b>	B38032900	4	90	B-106
	#4	<b>B-7909</b>	B38032900	4	90	B-106
	#2	<b>B-7910</b>	B38032900	4	90	B-106
	#1	<b>B-7911</b>	B38032900	4	115	B-106
	1/0	<b>B-7912</b>	B38032900	4	115	B-106
	2/0	<b>B-7913</b>	B38032900	4	115	B-106
	3/0	<b>B-7914</b>	B38032900	4	150	B-106
	4/0	<b>B-7915</b>	B38032900	4	150	B-106
7 & Larger	#6	<b>B-7916</b>	B38406300	4	90	B-106-32 ①
	#4	<b>B-7917</b>	B38406300	4	90	B-106-32 ①
	#2	<b>B-7918</b>	B38406300	4	90	B-106-32 ①
	#1	<b>B-7919</b>	B38406300	4	115	B-106-32 ①
	1/0	<b>B-7920</b>	B38406300	4	115	B-106-32 ①
	2/0	<b>B-7921</b>	B38406300	4	115	B-106-32 ①
	3/0	<b>B-7922</b>	B38406300	4	150	B-106-32 ①
	4/0	<b>B-7923</b>	B38406300	4	150	B-106-32 ①

① The **B106-32** comes complete with a **B-106** handle clamp and **B40-0106-76** vertical chain clamp. Although good for use on all sizes of rebar, vertical chain clamps are strongly recommended on large size rebar as they hold the mold to the rebar securely. If you already have a B-106 handle clamp, you can purchase the vertical chain clamps separately.

**NOTES:**

- For sizes not listed, contact BURNDY®
- Molds listed are for concentric stranded cable; add suffix "-S" to mold number for solid conductors
- For heavy duty molds, molds with wear plates or molds for Copperweld® cable, contact BURNDY®
- For expedited service, contact BURNDY®

**Required Tools:**

Handle Clamps - see chart for correct handle catalog number

**Recommended Accessories:**

- B38-0309-00** Flint Ignitor
- B38-3922-00** Mold Cleaning Brush
- B38-0135-00** Cable Cleaning Brush
- B38-0330-00** Cable Clamp

## BURNDY® GROUNDMAX™

BURNDY® GROUNDMAX™ is an economical solution for areas with very difficult grounding issues. BURNDY® GROUNDMAX™ is highly conductive in a wet or dry application and does not require moisture to lower the resistance of your grounding system. BURNDY® GROUNDMAX™ contains a corrosion inhibitor which forms a film on copper, creating a barrier against corrosion. BURNDY® GROUNDMAX™ can be poured in dry or pumped in slurry form. No tamping required. It is very contractor friendly. No special tools required.

## BURNDY® GROUNDMAX™

### Advantages:

- Easy to install
- Electrically conductive
- Environmentally friendly
- Will not leach into the ground
- Positive low resistance, electrical connection to earth
- Does not contain any hazardous chemicals
- Compatible with all copper grounding systems
- Contains a corrosion inhibitor to protect copper
- Will not expand or shrink
- Not affected by freezing
- Excellent shelf life
- Typical resistivity <10 Ohm-cm

Material Required per Linear Foot of Trench												
Width of Trench (inches)												
		4	6	8	10	12	14	16	18	20	22	24
<b>Thickness of BURNDY® GROUNDMAX™ (Inches)</b>	2	4.10	6.20	8.10	10.10	12.10	14.10	16.20	18.20	20.20	22.20	24.20
	3	6.20	9.30	12.10	15.20	18.20	21.20	24.20	27.30	30.30	33.30	36.40
	4	8.20	12.30	16.20	20.20	24.20	28.30	32.30	36.40	40.40	44.50	48.50
	5	10.30	15.40	20.20	25.30	30.30	35.40	40.40	45.50	50.60	55.60	60.60
	6	12.30	18.50	24.20	30.30	36.40	42.40	48.50	54.60	60.60	66.70	72.70
	7	14.40	21.60	28.30	35.40	42.40	49.50	56.60	63.70	70.70	77.80	84.90
	8	16.40	24.70	32.30	40.40	48.50	56.00	64.70	72.70	80.80	88.90	97.00
	9	18.50	27.80	36.40	45.50	54.60	63.70	72.70	81.80	90.90	100.00	109.10
	10	20.60	30.80	40.40	50.50	60.60	70.70	80.80	90.90	101.00	111.10	121.20

### To calculate the pounds of material required to fill a trench:

- Determine desired thickness
- Move to the right on the chart above until you are under the known width of the trench - this number will be the weight of the material in lbs/linear ft
- Take this number and multiply by the length of the trench in feet; your answer will be the amount of BURNDY® GROUNDMAX™ material required to fill the trench to the desired level in pounds

#### Example:

Thickness = 6 inches  
 Width of trench = 18 inches  
 54.6 lbs per linear ft (see table above)  
 Answer = 54.6 lbs per linear ft x 25 ft trench = 1,365 lbs of BURNDY® GROUNDMAX™  
 = Quantity of 28 50-lb bags of BURNDY® GROUNDMAX™



**BURNDY® GROUNDMAX™**

**Application Information**

**Vertical Installation**

Drill or bore a hole the desired diameter and depth. Suspend ground electrode in center of hole to be filled. Pour BURNDY® GROUNDMAX™ until desired level is obtained. No tamping is required.

Dry Volume of BURNDY® GROUNDMAX™ vs. Hole Size		Ground Resistance Comparison of Bare Rod vs.	
Hole Size	Lbs. of BURNDY® GROUNDMAX™ Per Ft.	Hole Size with 5/8" x 10' Rod in Center of 15' Hole	Percent Resistance Compared to Rod Only (100%)
4"	6.5	4"	52%
6"	14.5	6"	47%
8"	25.8	8"	44%
10"	40.4	10"	42%
12"	58.1	12"	40%

**Horizontal or Grid Construction**

**Construction ①**

Pour into horizontal trench until level of ground wire is reached. Place ground wire. Pour additional BURNDY® GROUNDMAX™ until wire is covered to desired height. Cover with fill. No tamping required.

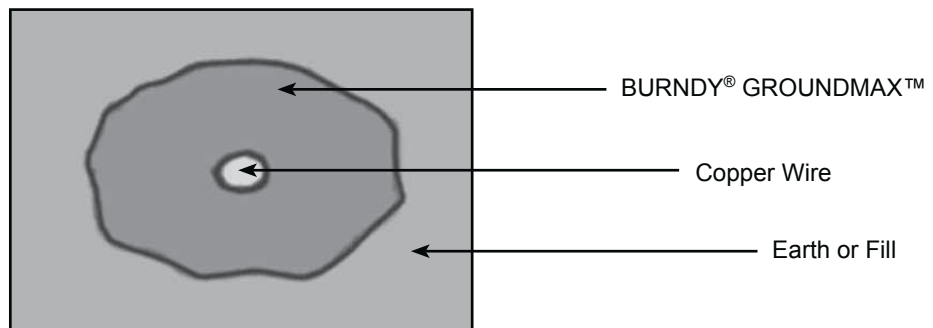
For grid construction, pour BURNDY® GROUNDMAX™ and spread over ground grid until desired thickness is achieved. Cover with fill.

Steady State Leakage Resistance ② Using 4/0 Copper Wire vs. BURNDY® GROUNDMAX™					
Length	0.457" Diameter Wire Only	Percentage of Resistance with 0.457" Wire Plus BURNDY® GROUNDMAX™ in Various Diameters Compared to Wire Only (100%)			
		2"	3"	4"	6"
25'	100%	83%	78%	74%	69%
50'	100%	85%	81%	77%	73%
75'	100%	86%	82%	79%	75%
100'	100%	87%	83%	80%	77%
150'	100%	88%	84%	82%	78%
200'	100%	88%	85%	83%	79%
250'	100%	89%	85%	83%	80%
300'	100%	89%	86%	84%	80%

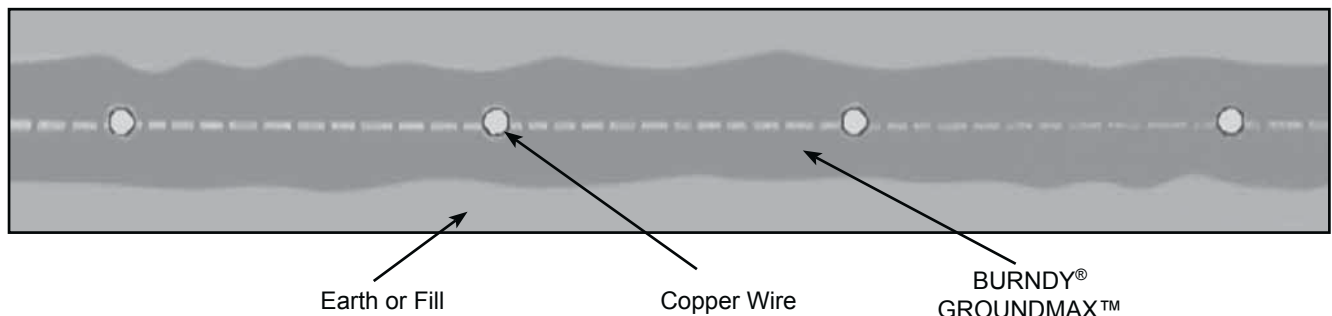
① Entire grounding system should be surrounded by BURNDY® GROUNDMAX™. Conductors should be insulated as they exit BURNDY® GROUNDMAX™ column.

② The use of BURNDY® GROUNDMAX™ around the grounding system will also reduce surge impedance by increasing the effective contact area of the electrode to soil.

**Horizontal Construction**



**Grid Construction**



# Grounding BURNDYWeld® Exothermic

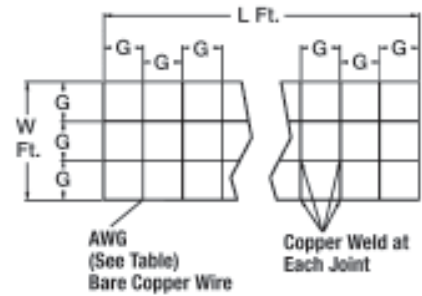
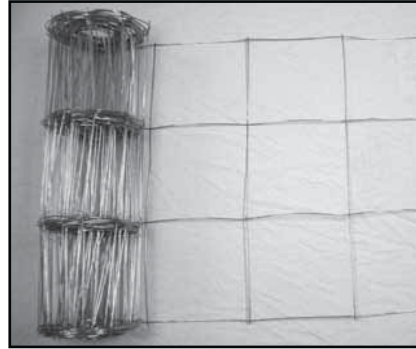
**BURNDY®**

## BURNDY® GRIDMAX®

Grounding, Personnel Safety Mats,  
Equipotential Bonding, Pool and  
Spa Grounding

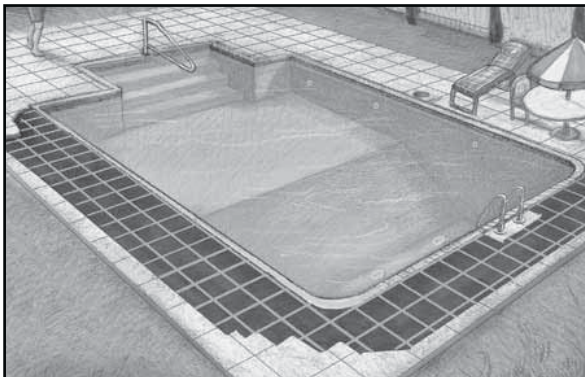
### Features & Benefits

- Manufactured from bare solid copper
- Spaced on 4", 6" or 12" centers
- Copper to copper weld with 15% silver
- Furnished in sections with lengths from 4' to 100'
- Easily and economically installed using BURNDYWeld®, HYGROUND® or our Mechanical connectors
- Sizes made specifically for the Pool and Spa market 3' x 100' and 3' x 50'. But can be used where any large area grounds are required

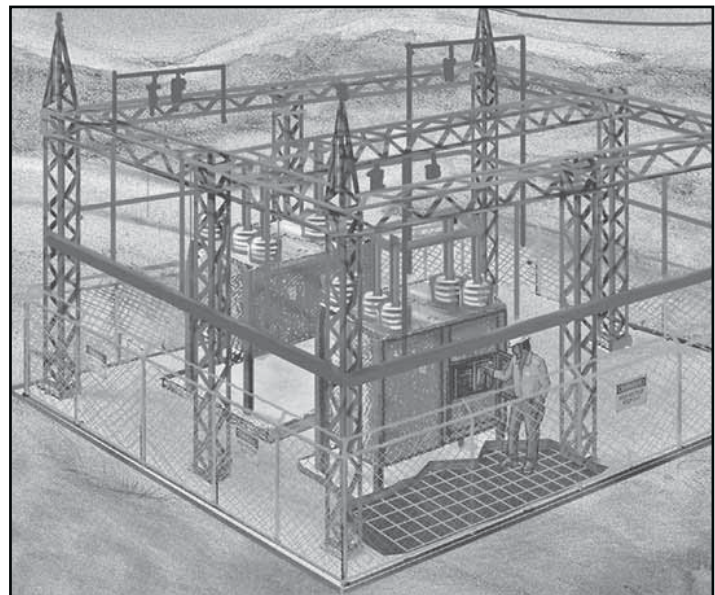


Catalog Number	Conductor	Dimensions		
		G (spacing)	L (length)	W (width)
<b>BGM3100</b>	8 AWG	12"	100'	3'
<b>BGM3050</b>	8 AWG	12"	50'	3'
<b>BGM640044</b>	6 AWG	4"	4'	4'
<b>BGM640068</b>	6 AWG	8"	6'	4'
<b>BGM64006</b>	6 AWG	12"	6'	4'
<b>BGM640066</b>	6 AWG	6"	6'	4'

Call for custom mats



Example:  
GRIDMAX®  
3' wide in pool area

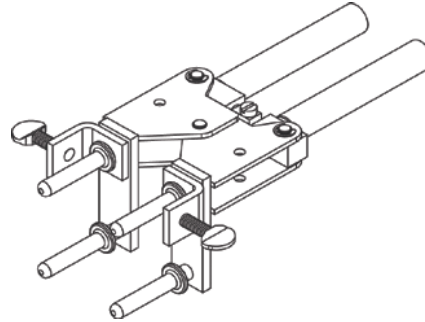


Example:  
GRIDMAX®  
Personnel Safety Mat

**B-106 & B-107  
HANDLE CLAMPS**

BURNDYWeld® Handle Clamps make possible the use of many different sizes and types of molds with only two different clamps. The two handle clamps are catalog numbers **B-106** & **B-107**. These will fit 95% of all standard BURNDYWeld® molds.

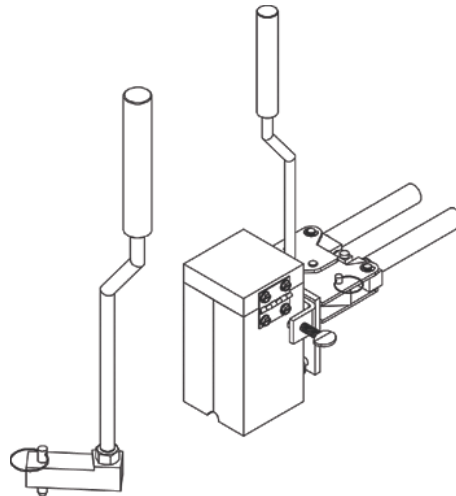
1. Use B-106 clamps for all molds having a price key 4, 7, 17, 22 or 24. These molds are a nominal 3 1/8" x 3 1/8" square.
2. Use B-107 clamps for all molds having a price key 5, 6, 8 or 23. These molds are a nominal 4" x 4" square.
3. All molds having a price key 2, 3, 9, 10, 11, 12, 14, 15 or 16 have an attached frame; separate handles are not required.



**B40-0106-75 HANDLE  
ATTACHMENT**

This Handle Attachment is used to hold Price Key 14 molds in position. It easily attaches to the B-106 Handle Clamp. This Handle Attachment can be used with weld types BCRE-1 and BCRE-4.

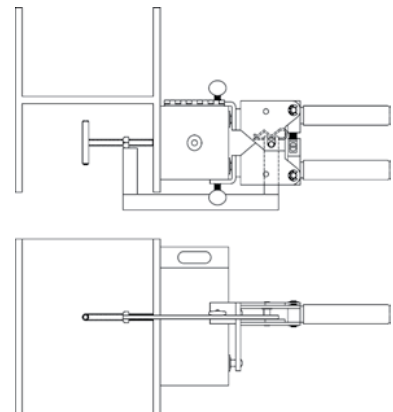
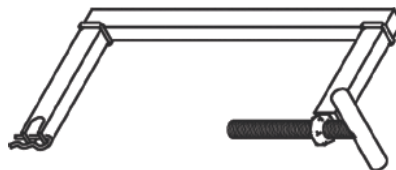
Catalog Number: **B40-0106-75**



**MOLD SUPPORT CLAMP**

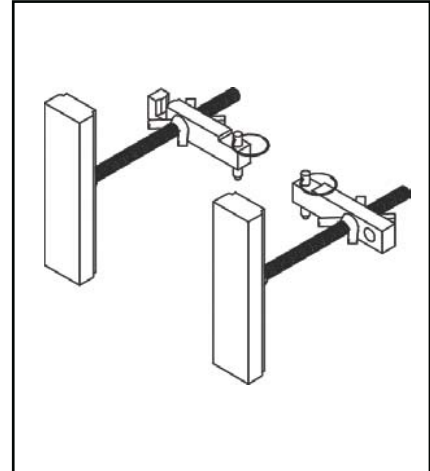
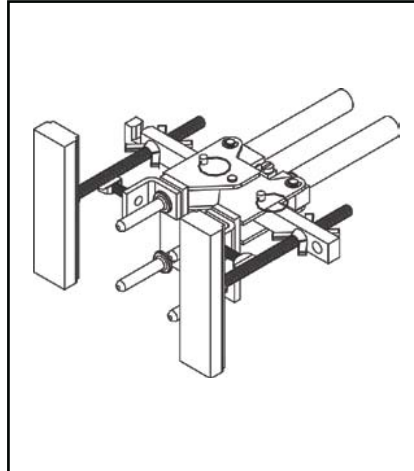
The Mold Support Clamp is used to hold a mold in position on a vertical steel column or angle. It is easily attached to the Handle Clamps. The Mold Support Clamp can be used with weld types BCS-3, BCS-18, BCS-23 and BCS-27.

Catalog Number: **B40-3657-00**



## VERTICAL MAGNETIC CLAMPS

Magnetic Clamps are used to hold a mold in position on a vertical steel surface. The magnetic clamp can be purchased complete with B-106 Handle Clamps or if you already have a set of handle clamps, you can order just the magnetic mounting assembly. The mounting assembly can easily be mounted on the prongs of your existing B-106 handle clamps. A minimum of 10" is required.



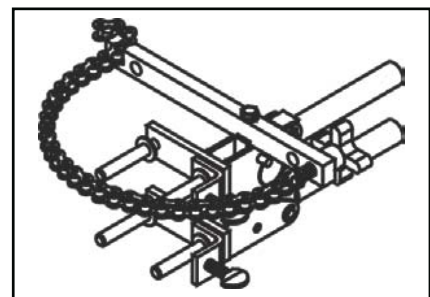
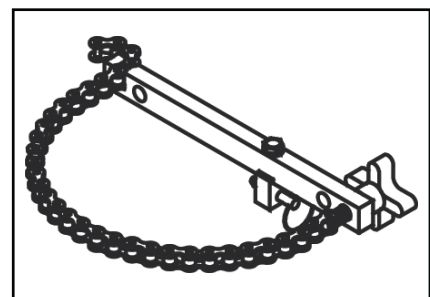
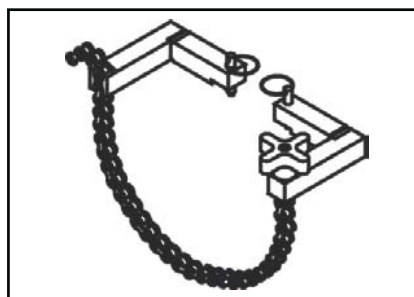
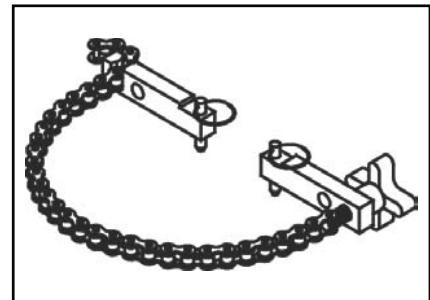
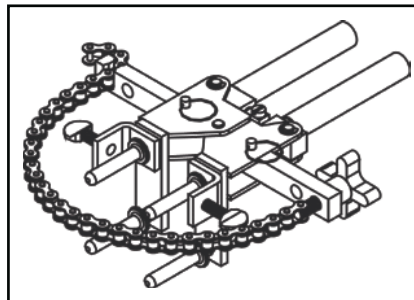
Magnetic Clamps with B106 Handle		
Catalog Number	Fits Molds w/ Price Key	For Use with Weld Types
<b>B40-4431-00</b>	4 & 17	BCS-3, 4, 7 & 23

Magnetic Clamp Only		
Catalog Number	Fits Handle Clamps	For Use with Weld Types
<b>B40-4431-00</b>	B-106 & B-107	BCS-3, 4, 7 & 23

## HORIZONTAL & VERTICAL CHAIN CLAMPS

### BURNDYWeld®

Chain Clamps are used to hold a mold in position on horizontal or vertical pipe up to 4" in diameter. For larger pipe a 20" chain extension is available to allow the chain clamps to be used on pipe up to 10" in diameter. The chain clamp can be purchased complete with B-106 or B-107 Handle Clamps or if you already have a set of handle clamps, you can order just the chain clamp and mounting assembly. The mounting assembly can easily be attached to your existing handle clamps. 20" Chain Extension catalog number: **B40-0106-27**.



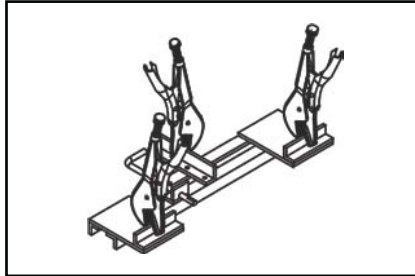
Chain Clamps			
Catalog Number	Fits Molds W/Price Key	For Use With Weld Types	Pipe Position
<b>B106-32</b>	4, 17, 22 & 24	BCS-3, 4, 7, 23 & BCRE-6	Vertical
<b>B107-32</b>	5, 6 & 23	BCS-3, 4, 7 & 23	Vertical
<b>B106-37</b>	4, 17, 22 & 24	BCS-1, 2, 5, 8 & 9	Horizontal
<b>B106-41</b>	4, 17	BCS-6, 18 & BCRE-3	Vertical

Chain Clamp Only (Handle Clamps Not Included)			
Catalog Number	Fits Handle Clamp	For Use With Weld Types	Pipe Position
<b>B40-0106-76</b>	B-106 & B-107	BCS-3, 4, 7, 23 & BCRE-6	Vertical
<b>B40-0106-78</b>	B-106 & B-107	BCS-1, 2, 5, 8 & 9	Horizontal
<b>B40-0106-77</b>	B-106 & B-107	BCS-6, 18 & BCRE-3	Vertical

**BURNDYWeld®  
ACCESSORIES**

**B38-0330-00 CABLE CLAMP**

The BURNDYWeld® Cable Clamp is recommended for holding a wide range of cables properly in place in molds when welding cables that are under tension. This prevents the cables from pulling out of the mold when the weld is made.



**CABLE CLEANING & CARD  
CLOTH BRUSH**

The Cable Cleaning Brush is recommended for cleaning heavily oxidized cables. The V-shape brushes permit their use over a wide range of cable sizes. Brush assembly consists of a handle with two stiff wire bristle brushes that are rotatable, for longer life and are replaceable.



The Card Cloth Brush is used for cleaning large conductors and bus bar. It has short stiff bristles. These brushes are for cleaning cable only, not molds.

Description	Catalog Number
Cable Cleaning Brush	<b>B38-0315-00</b>
Replacement Brush	<b>B38-0135-01</b>
Card Cloth Brush	<b>B38-0306-00</b>
Mold Cleaning Brush	<b>B38-3922-00</b>



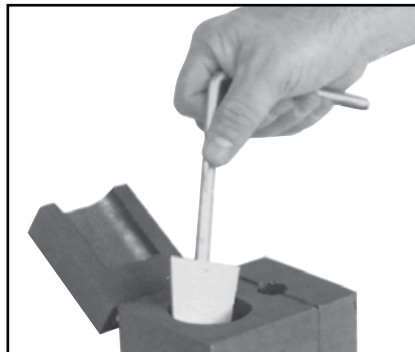
The Mold Cleaning Brush **B38-3922-00** is used to clean the graphite mold without scratching the mold.

**MOLD CLEANERS**

Mold Cleaners are used to clean the slag from molds that are not split through the crucible.

**B40-0319-01** for cartridge sizes #15 through #65

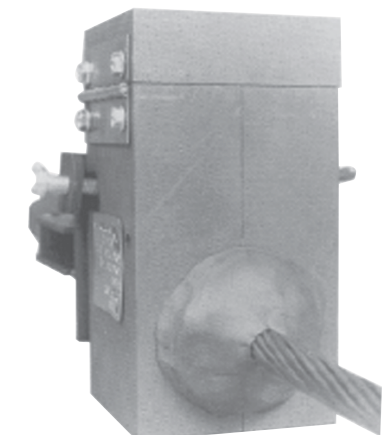
**B40-0319-03** for cartridge sizes #90 through #500



**PACKING MATERIAL**

Packing material is used to prevent the molten weld metal from leaking out of the mold. When the cable opening becomes worn from heavy use, the packing material may be used to prolong mold use. It is also used around 7 strand cable to prevent leaking. Packing material comes in a 1 lb. or 5 lb. package.

Description	Catalog Number
1 lb. package	<b>B38412900</b>
5 lb. package	<b>B38412905</b>



## BURNDYWeld® ACCESSORIES



## BURNDYWeld® TOOL KIT

- B38-0302-00** Tool Kit with Tools Shown except Rasp
- B38-0302-02** Tool Kit with Tools Shown and Rasp
- B38-0303-00** Tool Box only



## BURNDYWeld® TOOLS

The **B38-0309-00** Flint Ignitor is used to ignite the starting powder. Each mold that is sold with a frame has a Flint Ignitor included. For added safety a Flint Ignitor extension is available, catalog number **B38-0904-00**, that attaches to the **B38-0309-00** Flint Ignitor. This allows installers to stay approximately 36" away from the mold. To order replacement flints, specify part number **B38-0309-01**.

- B38-0309-00** Flint Ignitor
- B38-0304-00** 8" File
- B38-0307-00** Crimping Tool
- B38-3922-00** Mold Cleaning Brush
- B38-0308-00** 6" Screwdriver
- B38-0305-00** Wire Brush
- B38-0101-00** Rasp
- B38-0306-00** Card Cloth Brush



## B38-0101-00 RASP

This tempered steel, curved rasp is recommended for removing rust and mill scale from steel and cast iron surfaces. The blade is replaceable. To order replacement rasp blade, specify catalog number **B38-0101-01**.

Not recommended for use on galvanized surfaces.



## B38-0309-00 FLINT IGNITOR

The **B38-0309-00** Flint Ignitor is used to ignite the starting powder. Each mold that is sold with a frame has a Flint Ignitor included. For added safety a Flint Ignitor extension is available, catalog number **B38-0904-00**, that attaches to the **B38-0309-00** Flint Ignitor. This allows installers to stay approximately 36" away from the mold.

To order replacement flints, specify part number **B38-0309-01**.

**GROUND ROD DRIVING SLEEVES**

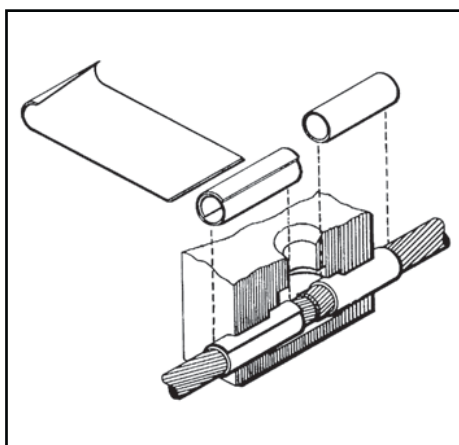
Ground Rod Driving Sleeves are placed over the top of a ground rod while driving it into the ground. This prevents the top from mushrooming or flaring out. Ground rod driving sleeves are available in sizes to fit all standard unthreaded ground rods.



Catalog Number	For Use On
<b>B38-3662-01</b>	1/2" Copper Clad or Steel Ground Rod
<b>B38-3662-02</b>	5/8" Copper Clad Ground Rod
<b>B38-3662-05</b>	5/8" Steel Ground Rod
<b>B38-3662-03</b>	3/4" Copper Clad Ground Rod
<b>B38-3662-06</b>	3/4" Steel Ground Rod
<b>B38-3662-04</b>	1" Copper Clad Ground Rod

**SHIM STOCK AND ADAPTER SLEEVES**

BURNDYWeld® molds designed for larger cable sizes can be used on smaller diameter cables if copper adapter sleeves or shim stock are utilized. The copper shim stock, .0108" x 1-1/2" x 3", is normally wrapped around cable until the diameter is about equal to the cable opening. A tight fit is not necessary as the shim stock will unwrap slightly and prevent leakage of weld metal. To order shim stock use part number **B38-0329-00**. Shim stock comes 100 pieces per box.



For Use on Cable Size		Part Number	Use in Mold Size	Sleeve Dimensions		
Stranded	Solid			O.D. Size	I.D.	Length
#12, #14	#10, #12, #14	<b>BA-200</b>	#6 Str. & Sol.	0.15	0.11	1.00
#9, #10	#8, #9, #10	<b>BA-208</b>	#4 Sol.	0.20	0.14	1.00
#7, #8, #10	#6, #8	<b>BA-201</b>	#4	0.22	0.17	1.00
#6	#5	<b>BA-202</b>	#2	0.29	0.19	1.00
#4, #5	#3, #4	<b>BA-207</b>	#2	0.30	0.24	1.00
#4	#2	<b>BA-204</b>	#1	0.34	0.24	1.00
#2	#1	<b>BA-203</b>	1/0	0.37	0.30	1.00
#1	1/0	<b>BA-209</b>	2/0	0.42	0.35	1.00
1/0, #1	2/0	<b>BA-205</b>	3/0 & 4/0 Sol.	0.46	0.38	1.00
2/0, 1/0	3/0	<b>BA-240</b>	4/0	0.52	0.43	1.50
4/0	—	<b>BA-211</b>	300 kcmil	0.62	0.54	1.25
250 kcmil	—	<b>BA-212</b>	350 kcmil	0.67	0.59	1.25
350, 400 kcmil	—	<b>BA-213</b>	500 kcmil	0.81	0.76	1.50
250, 300, 350 kcmil	—	<b>BA-214</b>	500 kcmil	0.81	0.70	1.50
750, 800 kcmil	—	<b>BA-215</b>	1000 kcmil	1.15	1.05	1.50

## Wiley Solutions

Whether installing miles of wire or acres of solar modules, the components no bigger than a few inches that can give the project long-term success and peace of mind. As PV technology has evolved, BURNDY continues to provide solutions to the most challenging applications requirements.

The Wiley product offering encompasses varied products offering to suit the application at hand.

**ACE Conduit Entry Boxes** offer side and bottom conduit drill-out for easy conduit routing and a choice of pass-through or combiner box with bracket.

**Bonding Jumpers** of corrosion resistant, tin-plated copper are available with or without the Wiley WEEB® washer; UL 467 and UL 2703 Listed.

**Clamping Solutions** offer reliability for use throughout the lifetime of the PV system. Mid-Clamp and End-Clamp designs, for all types of solar module bonding including Frameless Glass Module designs.

**Grounding Lugs** available with or without the WEEB® washer and requires no surface preparation of the rail or module.

**WEEB® Washer (Washer Electrical Equipment Bond)** eliminate the need for older, more expensive grounding methods. Corrosion-resistant 304 stainless steel construction available in a myriad of styles all providing excellent conductivity without oxidation risk to bond the PV module frame with the metal racking structure.

**Wiley Cable Clips** simplify wire management and provide a cleaner aesthetic to solar PV arrays. UL 1565 Listed and for use with a broad range of cable combinations and sizes. No tools required for installation and compatible on modules with a flange thickness range of 1.3 to 2.5mm and a variety of rails.

**Wiley Bundle Straps** UL62275 Listed with vinyl jacket designed to help protect cable insulation from damage and lasts the lifetime of the PV system.

**Insulated Bundle Straps and Insulated P-Clips** are also available made of vinyl coated steel protecting cables from vibration and insulation damage.





## ACE CONDUIT ENTRY BOX

The ACE Conduit Entry Box makes quick and simple transitions from USE-2 or PV array wire to conduit protected THWN-2 wire.

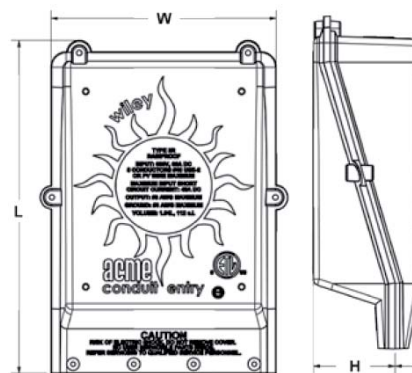
The box features a compact two-piece UV resistant, NEMA 3R rated enclosure that allows ample wiring space and is compatible with any conduit type.



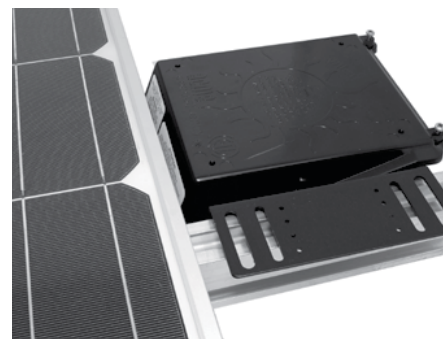
### Features & Benefits

- UL 1741 Listed
- Rated for 1000V
- Convenient side and bottom conduit drill-out for easy conduit routing
- Choice of pass-through or combiner box with bracket
- Compatible with any conduit type
- Preassembled for quick and easy installation
- Custom configurations available upon request

Length inch [mm]	Width inch [mm]	Height inch [mm]	Input Wire Diameter Range inch [mm]	Equipment Ground Conductor Type	Equipment Ground Conductor Diameter Range	Acceptable Conduit Sizes	Drill Out
10.07 [256.68]	6.83 [173.53]	3.27 [83.03]	0.20-0.27 [5.00-6.80] 10-12 AWG USE-2/ PV V	Bare Solid or jacketed only	0.16-0.27 [4.00-6.80]	.75, 1.00 [19.05, 25.44]	Side, Bottom



Catalog Number	ACE Configuration	Terminal Block	Terminal Block Internal Bus	Fuse Holder	Fuse Combiner Bus	Grounding Terminal
ACE-PT	Pass-through using Butt Splices/Wire Nuts (no DIN rail)	N/A	N/A	N/A	N/A	N/A
ACE-PTD	Pass-through using Butt Splices/Wire Nuts (with DIN rail)					
ACE-1P	1-String Pass-through	2	N/A	N/A	N/A	1
ACE-2P	2-String Pass-through	4	N/A	N/A	N/A	1
ACE-3P	3-String Pass-through	6	N/A	N/A	N/A	2
ACE-4P	4-String Pass-through	8	N/A	N/A	N/A	2
ACE-2C	2-String Combiner	2	N/A	Not Required for 2-String Combiner	N/A	1
ACE-3C	3-String Combiner	2	1X2-Pole	3	1X3-Pole	2
ACE-4C	4-String Combiner	2	1X2-Pole	4	1X4-Pole	2
ACE-3C-1GND	3 String Combiner with 1 Ground Terminal	3	2X2-Pole	3	1X3-Pole	1
ACE-3C-DF	3-String Dual Fuse Combiner	N/A	N/A	6	1X3-Pole	1

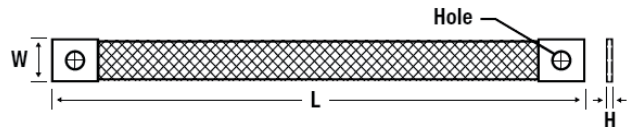


## BONDING JUMPER

Constructed of corrosion resistant, tin-plated, braided copper, the Wiley line of bonding jumpers are high quality solutions for your solar PV system.

The WEEB® Bonding Jumper is used to create an electrical connection between two pieces of anodized aluminum or any electrically conductive material. This maintains electrical continuity over long spans or air gaps between metal structures.

The Wiley Bonding Jumper is used to create an electrical connection between two pieces of galvanized steel. Compatible with 1/4" hardware, the Wiley Bonding Jumpers come in custom lengths upon request.



### Features & Benefits

- UL 467 Listed
- UL 2703 Listed
- Corrosion resistant
- Equivalent to 6AWG copper wire
- Available:
  - With or without WEEB® washer technology
  - Assembled and unassembled
  - With or without installation hardware
- In-stock standard lengths from 6" to 36" (custom lengths available upon request)
- Reliability for use throughout the lifetime of the PV system



<b>WEEB® Bonding Jumpers:</b>		<i>Utilizes proven WEEB® washer technology to bite through any non-conductive coatings</i>					
Catalog Number	Length inch [mm]	Width inch [mm]	Height inch [mm]	Hole Size inch [mm]	Gauge	Hardware	Assembled
WEEB-BNDJMP6.7	9.00 [228.60]	0.71 [18.00]	0.08 [2.03]	0.26 [6.53]	6 AWG	WEEB® washer included; 1/4" mounting hardware NOT included	N
WEEB-BNDJMP6.7AS						WEEB® washer included; 1/4" mounting hardware included	Y
WEEB-BNDJMP8.0	6.00 [152.40]	0.87 [22.00]	0.10 [2.54]	0.32 [8.20]		WEEB® washer included; M8 or 5/16" mounting hardware NOT included	N
WEEB-BNDJMP8.0AS						WEEB® washer included; M8 or 5/16" mounting hardware included	Y
WEEB-BNDJMP8.2	10.00 [254.00]	0.71 [18.00]	0.08 [2.03]	0.32 [8.20]		WEEB® washer included; M8 or 5/16" mounting hardware NOT included	N
WEEB-BNDJMP8.2MS						WEEB® washer included; M8 flat washer included	N
WEEB-BNDJMP9	9.00 [228.60]	0.71 [18.00]	0.08 [2.03]	0.26 [6.53]		WEEB® washer included; 1/4" mounting hardware NOT included	N
WEEB-BNDJMP12						WEEB® washer included; 1/4" mounting hardware NOT included	N
WEEB-BNDJMP12AS	12.00 [304.80]	0.71 [18.00]	0.08 [2.03]	0.26 [6.53]		WEEB® washer included; 1/4" mounting hardware included	Y
WEEB-BNDJMP18						WEEB® washer included; 1/4" mounting hardware NOT included	N
WEEB-BNDJMP18AS	18.00 [457.20]	0.71 [18.00]	0.08 [2.03]	0.26 [6.53]		WEEB® washer included; 1/4" mounting hardware included	Y
WEEB-BNDJMP24						WEEB® washer included; 1/4" mounting hardware NOT included	N
WEEB-BNDJMP24AS	24.00 [609.80]	0.71 [18.00]	0.08 [2.03]	0.26 [6.53]		WEEB® washer included; 1/4" mounting hardware included	Y
WEEB-BNDJMP36						WEEB® washer included; 1/4" mounting hardware NOT included	N
WEEB-BNDJMP36AS	36.00 [914.40]	0.71 [18.00]	0.08 [2.03]	0.26 [6.53]		WEEB® washer included; 1/4" mounting hardware included	Y

**Bonding Jumper**  
(Continued)

Wiley  
Bonding  
Jumper →



<b>Wiley Bonding Jumpers:</b>		<i>Perfect for tracker applications, galvanized steel or anywhere a WEEB® washer is not required</i>				
Catalog Number	Length	Width	Height	Hole Size	Gauge	Hardware Size
WILEYBRAID6	6.00 [152.40]	0.71 [18.00]	0.08 [2.03]	0.26 [6.53]	6 AWG	M6 or 1/4" No WEEB® washer or mounting hardware included
WILEYBRAID9	9.00 [228.60]					
WILEYBRAID12	12.00 [304.80]					
WILEYBRAID18	18.00 [457.20]					
WILEYBRAID24	24.00 [609.80]					
WILEYBRAID30	30.00 [762.00]					
WILEYBRAID36	36.00 [914.40]					
WILEYBRAID6-516	6.00 [152.40]	0.71 [18.00]	0.08 [2.03]	0.32 [8.20]	6 AWG	M8 or 5/16" No WEEB® washer or mounting hardware included
WILEYBRAID9-516	9.00 [228.60]					
WILEYBRAID12-516	12.00 [304.80]					
WILEYBRAID18-516	18.00 [457.20]					
WILEYBRAID24-516	24.00 [609.80]					
WILEYBRAID30-516	30.00 [762.00]					
WILEYBRAID36-516	36.00 [914.40]					
WILEYBRAID6-38	6.00 [152.40]	0.87 [22.00]	0.14 [3.65]	0.40 [10.20]	6 AWG	M10 or 3/8" No WEEB® washer or mounting hardware included
WILEYBRAID9-38	9.00 [228.60]					
WILEYBRAID12-38	12.00 [304.80]					
WILEYBRAID18-38	18.00 [457.20]					
WILEYBRAID24-38	24.00 [609.80]					
WILEYBRAID30-38	30.00 [762.00]					
WILEYBRAID36-38	36.00 [914.40]					

**Bonding Jumper**  
(Continued)

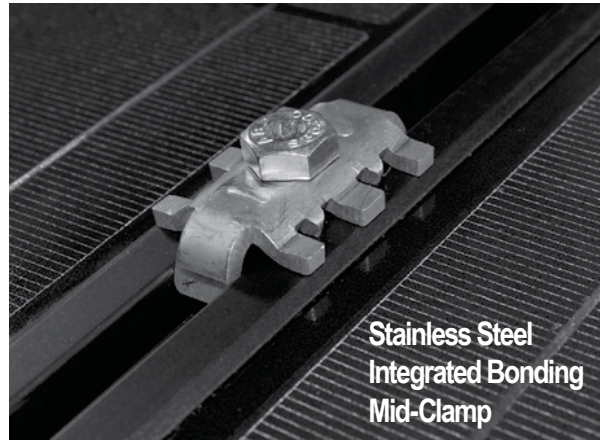
<b>Wiley Bonding Jumpers:</b>		<i>Perfect for tracker applications, galvanized steel or anywhere a WEEB® washer is not required</i>				
Catalog Number	Length	Width	Height	Hole Size	Gauge	Hardware Size
WILEYBRAID6-12	6.00 [152.40]	1.20 [30.48]	0.12 [3.02]	0.56 [14.22]	6 AWG	M12 or 1/2" No WEEB® washer or mounting hardware included
WILEYBRAID8-12	8.00 [203.20]					
WILEYBRAID10-12	10.00 [254.00]					
WILEYBRAID12-12	12.00 [304.80]					
WILEYBRAID18-12	18.00 [457.20]					
WILEYBRAID24-12	24.00 [609.80]					
WILEYBRAID30-12	30.00 [762.00]					
WILEYBRAID36-12	36.00 [914.40]					
WILEYBRAID6-916	6.00 [152.40]	1.20 [30.48]	0.12 [3.02]	0.63 [15.88]	6 AWG	M14 or 9/16" No WEEB® washer or mounting hardware included
WILEYBRAID8-916	8.00 [203.20]					
WILEYBRAID10-916	10.00 [254.00]					
WILEYBRAID12-916	12.00 [304.80]					
WILEYBRAID18-916	18.00 [457.20]					
WILEYBRAID24-916	24.00 [609.80]					
WILEYBRAID30-916	30.00 [762.00]					
WILEYBRAID36-916	36.00 [914.40]					
WILEYBRAID6-34	6.00 [152.40]	1.20 [30.48]	0.12 [3.02]	0.81 [20.45]	6 AWG	M20 or 3/4" No WEEB® washer or mounting hardware included
WILEYBRAID8-34	8.00 [203.20]					
WILEYBRAID10-34	10.00 [254.00]					
WILEYBRAID12-34	12.00 [304.80]					
WILEYBRAID18-34	18.00 [457.20]					
WILEYBRAID24-34	24.00 [609.80]					
WILEYBRAID30-34	30.00 [762.00]					
WILEYBRAID36-34	36.00 [914.40]					

## CLAMPING SOLUTIONS

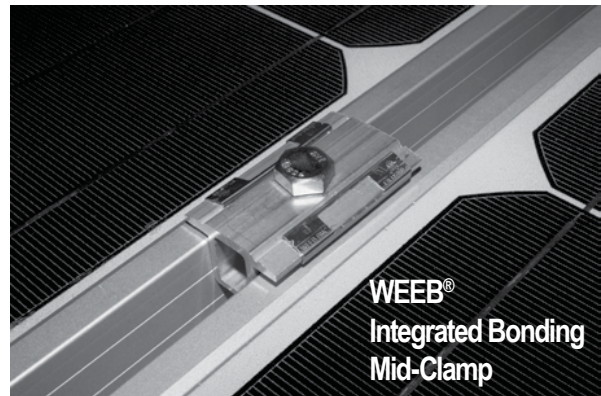
Our universal mid-clamp and adjustable end clamp designs accommodate various module thicknesses. Plus the Wiley Mid-Clamp uses proven WEEB® technology for integrated bonding as well as a quick and easy installation.

### Features & Benefits

- UL 467 Listed
- UL 2703 Recognized
- Low profile design
- Increased inspectability
- Available in mill finish
- Custom designs and finishes available upon request
- Reliability for use throughout the lifetime of the PV system



<b>Stainless Steel Integrated Bonding Mid-Clamp</b>					
<i>304 Stainless Steel integrated bonding mid-clamp for module-to-module bonding</i>					
Catalog Number	Length inch [mm]	Width inch [mm]	Height inch [mm]	Hole Size inch [mm]	Module Spacing
BMCSS8W17	1.91 [48.61]	1.32 [33.58]	0.48 [12.30]	0.33 [8.50]	0.67 [17.00]
BMCSS6W17	1.91 [48.61]	1.32 [33.58]	0.48 [12.30]	0.26 [6.60]	0.67 [17.00]



<b>WEEB® Integrated Bonding Mid-Clamp</b>					
<i>Integrated bonding mid-clamp for module-to-module bonding</i>					
Catalog Number	Length inch [mm]	Width inch [mm]	Height inch [mm]	Hole Size inch [mm]	Finish
WEEB-BMC2-516	2.00 [50.08]	1.17 [29.70]	0.75 [19.05]	0.32 [8.20]	mill
WEEB-BMC2-516BK					black anodized
WEEB-BMC2-516CL					clear anodized
WEEB-BMC2-14	2.00 [50.08]	1.17 [29.70]	0.75 [19.05]	0.26 [6.60]	mill
WEEB-BMC2-14BK					black anodized
WEEB-BMC2-14CL					clear anodized

**Clamping Solutions**

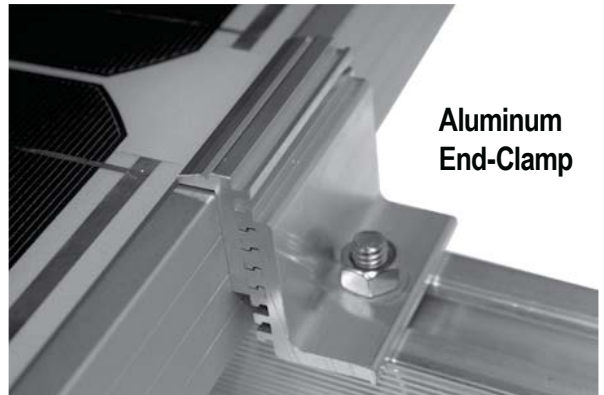
(Continued)

<b>Mid-Clamp</b>					
<i>Aluminum mid-clamp for securing modules to the mounting structure</i>					
Catalog Number	Length inch [mm]	Width inch [mm]	Height inch [mm]	Hole Size inch [mm]	Finish
<b>BMC2-516</b>	2.00 [50.80]	1.17 [29.70]	0.75 [19.05]	0.32 [8.20]	mill
<b>BMC2-516BK</b>					black anodized
<b>BMC2-516CL</b>					clear anodized
<b>BMC2-14</b>	2.00 [50.80]	1.17 [29.70]	0.75 [19.05]	0.260 [6.60]	mill
<b>BMC2-14BK</b>					black anodized
<b>BMC2-14CL</b>					clear anodized



**Aluminum Mid-Clamp**

<b>End-Clamp</b>					
<i>Aluminum end-clamp for securing modules to the mounting structure</i>					
Catalog Number	Length inch [mm]	Width inch [mm]	Height inch [mm]	Hole Size inch [mm]	Finish
<b>BEC2-516</b>	2.00 [50.80]	0.76 [19.35]	Adjustable from 1.38 - 2.36 [35.05-59.94]	0.32 [8.20]	mill
<b>BEC2-516BK</b>					black anodized
<b>BEC2-516CL</b>					clear anodized
<b>BEC2-14</b>	2.00 [50.80]	0.76 [19.35]	Adjustable from 1.38 - 2.36 [35.05-59.94]	0.26 [6.60]	mill
<b>BEC2-14BK</b>					black anodized
<b>BEC2-14CL</b>					clear anodized



**Aluminum End-Clamp**

**Frameless Glass Module Mid-Clamp**  
*Aluminum mid-clamp with Santoprene rubber grip for securing modules to the mounting structure*

Catalog Number	Length inch [mm]	Width inch [mm]	Height inch [mm]	Hole Size inch [mm]	Finish
<b>WMFH6.8P80-516</b>	3.15 [80.00]	3.03 [77.00]	0.68 [17.36]	0.32 [8.20]	mill
<b>WMFH6.8P80-14</b>				0.26 [6.60]	



**Frameless Glass Module Mid-Clamp**



**Frameless Glass Module End-Clamp**  
*Aluminum end-clamp with Santoprene rubber grip for securing modules to the mounting structure*

Catalog Number	Length inch [mm]	Width inch [mm]	Height inch [mm]	Hole Size inch [mm]	Finish
<b>WEFL6.8P80-516</b>	3.15 [80.00]	1.47 [37.43]	0.83 [21.05]	0.32 [8.20]	mill
<b>WEFL6.8P80-14</b>				0.26 [6.60]	



**Frameless Glass Module End-Clamp**



## GROUNDING LUG

Constructed of corrosion resistant, tin-plated copper, the Wiley line of grounding lugs are high quality solutions for your solar PV system. The tin-plated lug assures minimum contact resistance and protection against corrosion. The low profile of the grounding lug allows it to be installed in a variety of positions with one solid or stranded copper wire (14 AWG to 6 AWG), or two copper wires (12 AWG to 10 AWG). Copper wire is secured by a 1/4-28 stainless steel screw, which is horizontal to the tang. This allows for easy access when mounted under a PV module. The result is a continuous ground on all solar applications.

The WEEB® Grounding Lug is installed using stainless steel mounting hardware. When the hardware is tightened, the WEEB® washer's specialized teeth embed into anodized aluminum or any electrically conductive metal to establish a gas tight electrical connection.

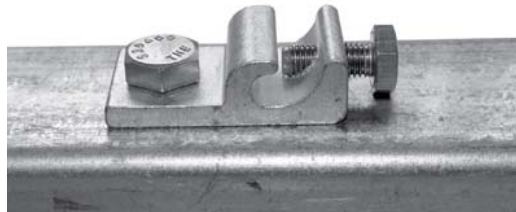
The Wiley Grounding Lug is available unassembled, without installation hardware, and with standard hold sizes of 1/4" and 5/16" (M8). Perfect for galvanized steel applications or anywhere a WEEB® washer is not required.

### Features & Benefits

- UL 467 Listed
- UL 2703 Listed Made of corrosion-resistant, tin-plated copper
- Design ensures a quick and easy installation
- Available:
  - With or without WEEB® washer technology
  - Assembled and unassembled
  - With or without installation hardware
- **No** surface preparation required on the rail or module
- Custom designs available upon request
- Reliability for use throughout the lifetime of the PV system



**WEEB® Lug**



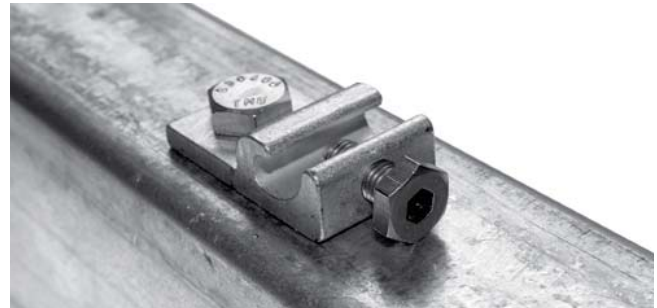
**Wiley Lug**

<b>WEEB® Grounding Lug</b>						
<i>Utilizes proven WEEB® washer technology to bite through any non-conductive coatings</i>						
Catalog Number	Length inch [mm]	Width inch [mm]	Height inch [mm]	Hole Size inch [mm]	Mounting Hardware	Assembled
WEEB-LUG-6.7	1.57 [40.00]	0.71 [18.00]	0.47 [12.00]	0.27 [6.76]	1/4" hardware included	N
WEEB-LUG-6.7AS						Y
WEEB-LUG-8.0		0.86 [22.00]		0.32 [8.20]	M8 or 5/16" hardware not included	N
WEEB-LUG-8.0AS						Y
WEEB-LUG-8.0UN					5/16" hardware included	N
WEEB-LUG-15.8		0.71 [18.00]			M8 or 5/16" hardware not included	N
WEEB-LUG-8.2						N
WEEB-LUG-10.3		0.86 [22.00]			0.41 [10.30]	N
<b>Wiley Grounding Lug</b>						
<i>Perfect for galvanized steel applications or anywhere a WEEB® washer is not required</i>						
WILEYLUG6.7	1.57 [40.00]	0.71 [18.00]	0.47 [12.00]	0.27 [6.76]	1/4" hardware not included	N
WILEYLUG8.0		0.86 [22.00]				
WILEYLUG8.2		0.709 [18.00]				
WILEYLUG15.8						

**Grounding Lug**  
(Continued)



**WEEB® Grounding Lug HS**



**Wiley Grounding Lug HS**

<b>WEEB® Grounding Lug HS</b>						
<i>Utilizes proven WEEB® washer technology to bite through any non-conductive coatings and features a hex head socket cap terminal screw</i>						
Catalog Number	Length inch [mm]	Width inch [mm]	Height inch [mm]	Hole Size inch [mm]	Mounting Hardware	Assembled
WEEB-LUG-6.7HS	1.57 [40.00]	0.71	0.47 [12.00]	0.27 [6.76]	1/4" hardware included	N
WEEB-LUG-6.7ASHS		[18.00]				Y
WEEB-LUG-8.0HS		0.86			M8 or 5/16" hardware not included	N
WEEB-LUG-8.0UNHS		[22.00]				5/16" hardware included
WEEB-LUG-8.0ASHS		0.71 [18.00]			M8 or 5/16" hardware not included	Y
WEEB-LUG-15.8HS						N
WEEB-LUG-8.2HS						N
<b>Wiley Grounding Lug HS</b>						
<i>Perfect for galvanized steel applications or anywhere a WEEB® washer is not required; features a hex head socket cap terminal screw</i>						
Catalog Number	Length inch [mm]	Width inch [mm]	Height inch [mm]	Hole Size inch [mm]	Mounting Hardware	Assembled
WILEYLUG6.7HS	1.57 [40.00]	0.71	0.47 [12.00]	0.27 [6.76]	1/4" hardware not included	N
WILEYLUG8.0HS		0.86				M8 or 5/16" hardware not included
WILEYLUG8.2HS		0.71		included	N	
WILEYLUG15.8HS		[18.00]			N	



## WEEB® WASHER (Washer Electrical Equipment Bond)

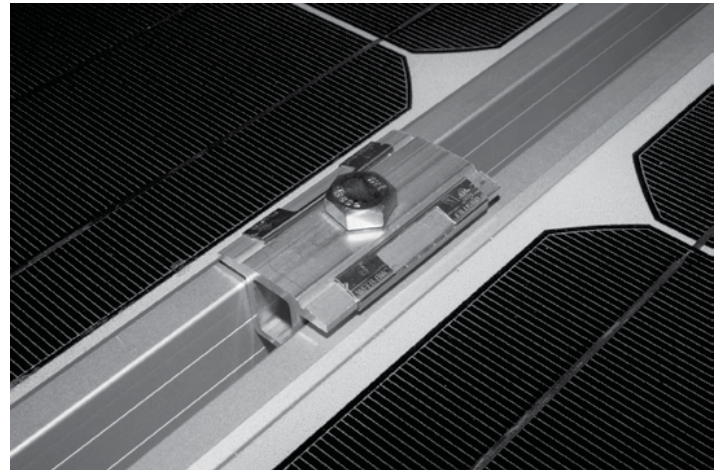
A revolution in the solar industry, WEEB® washers eliminate the need for older, more expensive grounding methods while also significantly reducing the amount of labor and materials used in installations.

Here's how it works: When the WEEB® is inserted between the module frame and mounting structure, the teeth of the WEEB® pierce the anodized coating. The result is excellent conductivity without oxidation — bonding the PV module frame with the metal racking structure. Essentially, the module and rail become one singular piece of metal, creating an electrical path to ground.






### Features & Benefits

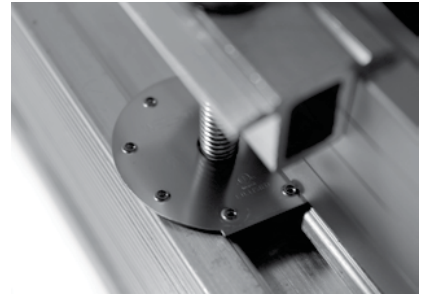
- UL 467 Listed
- UL 2703 Recognized; UL 2703 Listed with certain systems
- Corrosion-resistant 304 stainless steel construction
- Reliability for use throughout the lifetime of the PV system
- Rated for outdoor use
- Multiuse
- Custom designs available upon request



WEEB-BMC shown

Integrated Bonding Clamp WEEB® Washers						
<i>WEEB® clamp washers easily snap or slide onto a mid-clamp and/or end-clamp for quick installation</i>						
Line Image	Catalog Number	Length inch [mm]	Width inch [mm]	Height inch [mm]	Hole Size inch [mm]	Type
	WEEB-BMC	1.57 [40.00]	0.30 [7.60]	0.19 [4.83]	N/A	Clip On
	WEEB-M-KR	1.65 [41.90]	1.40 [35.80]	0.22 [5.50]	0.33 [8.38]	Slide On
	WEEB-MSNR516	1.50 [38.00]	1.57 [40.00]	0.25 [6.40]	0.43 [11.00]	Slide On

**WEEB® Washer**  
**(Washer Electrical Equipment Bond)**  
 (Continued)

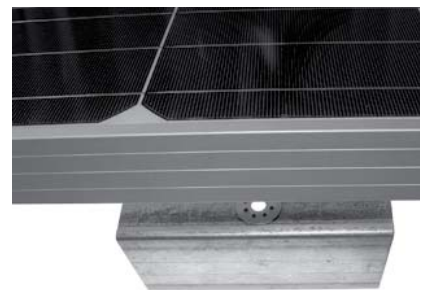


**WEEB-DSKBD34**  
 shown

<b>Universal WEEB® Disk Washers - Top Clamp Applications</b>						
<i>Universal WEEB® Disk Washers allow for a wide range of compatibility across various racking systems</i>						
Line Image	Catalog Number	Length inch [mm]	Width inch [mm]	Height inch [mm]	Hole Size inch [mm]	Type
	WEEB-DSKBD34	1.57 [40.00]	1.57 [40.00]	0.07 [1.75]	0.32 [8.10]	Disk
	WEEB-DSK516-31*	1.22 [31.00]	1.22 [31.00]	0.07 [1.75]	0.32 [8.10]	Disk
	WEEB-DSK516-45*	1.77 [45.00]	1.77 [45.00]	0.07 [1.75]	0.32 [8.10]	Disk

\* Custom part available upon request

<b>Universal WEEB® Disk Washers - Bottom Mount Applications</b>						
<i>Universal WEEB® Disk Washers allow for a wide range of compatibility across various racking systems</i>						
Line Image	Catalog Number	Length inch [mm]	Width inch [mm]	Height inch [mm]	Hole Size inch [mm]	Type
	WEEB-DSK14	0.94 [24.10]	0.94 [24.10]	0.07 [1.75]	0.26 [6.75]	Disk
	WEEB-DSK516	1.01 [25.75]	1.01 [25.75]	0.07 [1.75]	0.32 [8.10]	Disk
	WEEB-DSK38	1.18 [30.88]	1.18 [30.88]	0.07 [1.75]	0.39 [9.80]	Disk
	WEEB-DSK12	1.39 [35.38]	1.39 [35.38]	0.07 [1.75]	0.51 [13.10]	Disk



**WEEB-DSK516**  
 shown

**WEEB® Washer**  
**(Washer Electrical Equipment Bond)**  
 (Continued)



WEEB-FBM516 shown

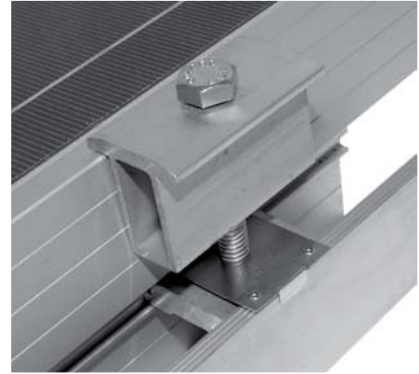
Universal Frame Bottom Mount WEEB® Washers						
<i>Universal WEEB® FBM washers are used in bottom mount applications</i>						
Line Image	Catalog Number	Length inch [mm]	Width inch [mm]	Height inch [mm]	Hole Size inch [mm]	Type
	WEEB-FBM14	1.78 [45.25]	1.67 [42.50]	0.12 [3.20]	0.26 [6.75]	Clip On
	WEEB-FBM516	1.81 [46.00]	1.78 [45.25]	0.12 [3.20]	0.32 [8.10]	Clip On

Bottom Mount WEEB® Washers						
<i>Bottom mounting WEEB® washers bond PV modules to the mounting structure at the module mounting holes; May have features that secure the WEEB® at holes, slots, or directly to the module frame prior to installation</i>						
Line Image	Catalog Number	Length inch [mm]	Width inch [mm]	Height inch [mm]	Hole Size inch [mm]	Type
	WEEB-UJR	0.71 [18.00]	0.71 [18.00]	0.03 [0.89]	0.26 [6.75]	Rigid
	WEEB-11.5	0.87 [22.10]	0.79 [20.20]	0.15 [4.00]	0.47 [12.00]	Rigid
	WEEB-9.5	0.71 [18.00]	0.59 [15.10]	0.12 [3.15]	0.39 [10.00]	Rigid
	WEEB-9.5NL	0.71 [18.00]	0.59 [15.10]	0.07 [1.74]	0.39 [10.00]	Rigid



WEEB-UJR shown




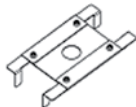
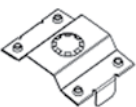



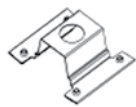
**WEEB® Washer**  
**(Washer Electrical Equipment Bond)**  
 (Continued)



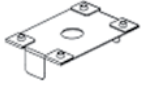
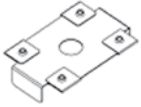




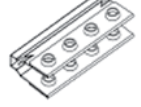

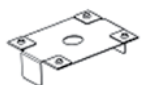
**WEEB-PMC shown**

<b>Top Clamp WEEB® Washers</b>						
<i>Top clamp mounting WEEBs bond PV modules to the mounting structure at mid-clamp locations; May be pre-installed or slid onto mid-clamp hardware prior to the securement of modules</i>						
Line Image	Catalog Number	Length inch [mm]	Width inch [mm]	Height inch [mm]	Hole Size inch [mm]	Type
	WEEB-ADC	0.94 [24.00]	0.73 [18.66]	0.15 [3.75]	N/A	Clip On
	WEEB-ADR	1.34 [34.00]	1.18 [30.00]	0.72 [18.25]	0.38 [9.75]	Rigid
	WEEB-ASR	1.51 [38.40]	1.00 [25.50]	0.24 [6.12]	0.32 [8.14]	Rigid
	WEEB-ATF	1.68 [42.66]	1.26 [32.00]	0.40 [10.11]	0.31 [7.94]	Flexible
	WEEB-BMC-1	1.49 [38.00]	0.30 [7.60]	0.12 [2.97]	N/A	Clip On
	WEEB-CCR	1.59 [40.33]	1.26 [32.00]	0.24 [6.05]	0.33 [8.43]	Rigid
	WEEB-CCR-2	1.59 [40.33]	1.49 [38.00]	0.24 [6.05]	0.33 [8.43]	Rigid
	WEEB-CMC	1.28 [32.50]	1.15 [29.10]	0.19 [4.83]	0.31 [8.00]	Slotted
	WEEB-DHF	1.06 [27.00]	1.13 [28.60]	0.60 [15.09]	0.30 [7.69]	Flexible


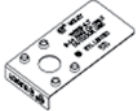


**WEEB® Washer**  
**(Washer Electrical Equipment Bond)**  
 (Continued)

<b>Top Clamp WEEB® Washers</b>						
<i>Top clamp mounting WEEBs bond PV modules to the mounting structure at mid-clamp locations; May be pre-installed or slid onto mid-clamp hardware prior to the securement of modules</i>						
Line Image	Catalog Number	Length inch [mm]	Width inch [mm]	Height inch [mm]	Hole Size inch [mm]	Type
	WEEB-DMC	0.86 [22.04]	0.71 [18.00]	0.30 [7.62]	0.25 [6.35]	Rigid
	WEEB-DPF	1.06 [27.00]	1.13 [28.60]	0.59 [15.09]	0.30 [7.69]	Flexible
	WEEB-DPR	1.00 [25.41]	0.98 [25.00]	0.98 [25.00]	0.31 [8.00]	Rigid
	WEEB-ECR	2.16 [55.00]	1.17 [29.70]	0.28 [7.09]	0.33 [8.43]	Rigid
	WEEB-JJR	1.25 [31.75]	0.91 [23.00]	0.33 [8.51]	0.37 [9.40]	Flexible
	WEEB-KMC	1.67 [42.42]	1.22 [31.00]	0.18 [4.70]	0.37 [9.40]	Rigid
	WEEB-KSR	1.39 [35.26]	0.99 [25.20]	0.10 [2.55]	0.31 [8.00]	Slotted
	WEEB-OCR	1.36 [34.50]	1.16 [29.50]	0.12 [3.17]	0.33 [8.38]	Slotted
	WEEB-OSF	1.48 [37.70]	1.26 [32.00]	0.39 [10.03]	0.37 [9.55]	Flexible

**WEEB® Washer**  
**(Washer Electrical Equipment Bond)**  
 (Continued)

<b>Top Clamp WEEB® Washers</b>						
<i>Top clamp mounting WEEBs bond PV modules to the mounting structure at mid-clamp locations; May be pre-installed or slid onto mid-clamp hardware prior to the securement of modules</i>						
Line Image	Catalog Number	Length inch [mm]	Width inch [mm]	Height inch [mm]	Hole Size inch [mm]	Type
	WEEB-PMC	1.58 [40.11]	1.10 [28.00]	0.25 [6.37]	0.31 [7.94]	Rigid
	WEEB-RPR	1.47 [37.41]	1.14 [28.85]	0.27 [6.88]	0.32 [8.20]	Rigid
	WEEB-SCR	1.72 [43.70]	0.65 [16.51]	0.28 [7.11]	0.37 [9.53]	Rigid
	WEEB-SMC-2	1.50 [38.10]	0.98 [25.00]	0.33 [8.38]	0.32 [8.20]	Slotted
	WEEB-SSF	1.33 [33.86]	0.59 [15.00]	0.67 [16.94]	0.34 [8.48]	Flexible
	WEEB-SSR	1.70 [43.20]	1.35 [34.30]	0.27 [6.86]	0.37 [9.53]	Rigid
	WEEB-STC	0.94 [24.00]	0.42 [10.58]	0.17 [4.42]	N/A	Rigid
	WEEB-UMC	1.49 [37.91]	0.71 [18.00]	0.29 [7.34]	0.25 [6.35]	Rigid
	WEEB-WMC	1.63 [41.30]	1.31 [33.50]	0.34 [8.61]	0.31 [7.94]	Rigid

**WEEB® Washer**  
**(Washer Electrical Equipment Bond)**  
 (Continued)

<b>Replacement WEEB® Washers</b>						
<i>Replacement WEEB® Washers for WEEB-LUG and WEEB-BNDJMP product lines</i>						
<b>Line Image</b>	<b>Catalog Number</b>	<b>Length inch [mm]</b>	<b>Width inch [mm]</b>	<b>Height inch [mm]</b>	<b>Hole Size inch [mm]</b>	<b>Type</b>
	<b>WEEB-15.8</b>	1.37 [34.85]	0.71 [18.00]	0.17 [4.27]	0.32 [8.20]	Rigid
	<b>WEEB-6.7</b>	1.37 [34.35]	0.71 [18.00]	0.17 [4.27]	0.26 [6.53]	Rigid
	<b>WEEB-8.0</b>	1.45 [36.75]	0.86 [22.00]	0.17 [4.27]	0.32 [8.20]	Rigid
	<b>WEEB-8.2</b>	1.37 [34.85]	0.71 [18.00]	0.17 [4.27]	0.32 [8.20]	Rigid

## WILEY CABLE CLIPS

Engineered for high-quality wire management solutions, Wiley Cable Clips simplify wire management and create a cleaner aesthetic to solar PV arrays. The clips are made of corrosion resistant stainless steel, which makes for a durable, long lasting and reliable solution in all environments and are designed with coined edges to prevent damage to cable insulation. The designs are easy to install and remove with a flat head screwdriver and can be reused. The clips can be used in a wide variety of mounting configurations (including 90 degree) for module and rail applications. Custom designs are available upon request.



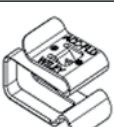



### Features & Benefits

- UL 1565 Listed
- Accommodates a broad range of cable combinations and sizes (e.g., USE-2, PV, AC module and micro inverter cables)
- Compatible on modules with a flange thickness range of 1.3 to 2.5mm
- No tools required for installation
- Multiuse capabilities
- Coined edges to prevent damage to cable insulation
- Reliability for use throughout the lifetime of the PV system











ACC-FLD shown

Module Clips						
304 Stainless Steel cable clips that install on the module frame						
Line Image	Catalog Number	Length inch [mm]	Width inch [mm]	Height inch [mm]	Qty of Wires Held	Wire Diameter inch [mm]
	ACC	0.66 [16.85]	0.39 [10.00]	0.39 [10.00]	1 to 2 USE-2 wires or 1 PV wire	Max. 0.29 [7.50]
	ACC-PV	0.72 [18.42]	0.39 [10.00]	0.47 [12.60]	1 to 2 PV wires	Max. 0.29 [7.50]
	ACC-FLD	0.75 [19.00]	0.39 [10.00]	0.50 [12.70]	1 to 2 PV wires	Max. 0.29 [7.50]
	ACC-FPV	0.92 [23.33]	0.49 [12.50]	0.56 [14.22]	1 to 2 PV wires	Max. 0.31 [8.00]



**Wiley Cable Clips**  
(Continued)

<b>90 Degree Module Clips</b>						
<i>304 Stainless Steel cable clips that install parallel or perpendicular on the module frame</i>						
Line Image	Catalog Number	Length inch [mm]	Width inch [mm]	Height inch [mm]	Qty of Wires Held	Wire Diameter inch [mm]
	ACC-F90-1	0.81 [20.58]	0.51 [13.08]	0.56 [14.22]	1 to 2 USE-2 wires or 1 to 2 PV wire	Max. 0.29 [7.50]
	ACC-F2-90	1.16 [29.49]	0.41 [10.51]	0.59 [15.10]	1 to 2 Micro Inverter Trunk or AC cables	1 wire: Max. 0.55 [14.00] 2 wires Max. 0.43 [11.00]
	ACC-F4-90	1.37 [34.72]	0.41 [10.51]	0.56 [14.31]	1 to 4 PV wires	Max. 0.29 [7.50]
	ACC-F1-270	0.92 [23.50]	0.39 [10.00]	0.77 [19.55]	2 PV wire or 1 Micro Inverter Trunk	Max. 0.55 [14.00]
<b>Rail Clips</b>						
<i>304 Stainless Steel cable clips that install on the rail or in the channel</i>						
Line Image	Catalog Number	Length inch [mm]	Width inch [mm]	Height inch [mm]	Qty of Wires Held	Wire Diameter inch [mm]
	ACC-R2	1.47 [37.41]	0.39 [10.00]	0.81 [20.50]	1 to 2 Micro Inverter Trunk or AC cables	1 wire: Max. 0.55 [14.00] 2 wires Max. 0.43 [11.00]
	ACC-R2-E	1.18 [30.10]	0.49 [12.50]	0.66 [16.81]	1 to 2 Micro Inverter Trunk or AC cables	1 wire: Max. 0.55 [14.00] 2 wires Max. 0.43 [11.00]
	ACC-R4	1.55 [39.46]	0.39 [10.00]	0.63 [16.05]	1 to 4 PV wires	Max. 0.29 [7.50]
	ACC-RBC15	0.91 [23.00]	0.65 [16.50]	0.47 [12.00]	2 Micro Inverter Trunk or up to 4 PV wires	Max. 0.55 [14.00]



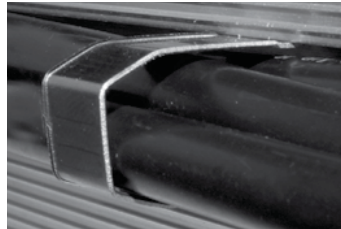
**ACC-F90-1 shown in both orientations**



**ACC-F1-270**



**ACC-R2-E shown**



**ACC-RBC15 shown**

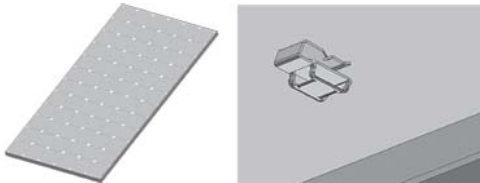
## WILEY BUNDLE STRAP

The Wiley Bundle Strap is made of corrosion resistant 304 stainless steel, which makes for a durable, long lasting and reliable solution for all environments. The vinyl jacket covering the 304 stainless steel wire is designed to protect cable insulation from damage. The Wiley Bundle Strap is easy to install and can be crimped in the field with electrician linesman pliers or standard wire cutters. The crimp sleeve's retention feature allows for a quick, effortless, secure installation. Custom lengths available upon request.

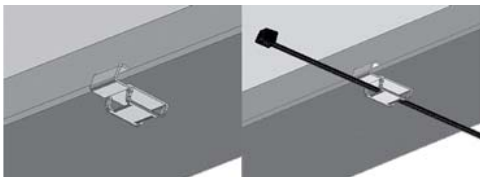
### Features & Benefits

- UL 62275 Listed
- High quality, long-lasting, labor saving, wire management solution
- UV guarded vinyl jacketed 304 stainless steel wire with 304 stainless steel crimp
- Vinyl jacket designed to protect cable insulation from damage
- 304 stainless steel crimp sleeve allows for quick and easy installation
- Can be crimped in the field with electrician linesman pliers or standard wire cutters
- Retention feature allows for a quick, effortless, secure installation
- Lasts for the lifetime of the PV system
- RoHS compliant
- Custom lengths available upon request

### Installing the ACC-FBC with WBS or UNIRAP™ cable tie



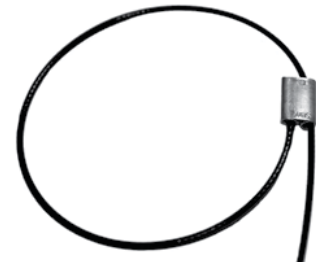
The ACC-FBC mounting base slides onto the module flange



Route a WBS or UNIRAP™ through the ACC-FBC mounting base



Secure desired cables by tightening the WBS or UNIRAP™



### Wiley Bundle Straps

304 Stainless Steel wire covered with vinyl jacket helps protect cable insulation from damage

Catalog Number	Length inch [mm]	Diameter inch [mm]	Max. Tensile Strength	Max. Bundle Diameter inch [mm]	Material
WBS8V	8.00 [203.20]	0.06 [1.50]	100 lbs.	2.30 [58.40]	Vinyl Insulated 304 Stainless Steel Wire
WBS10V	10.00 [254.00]	0.06 [1.50]	100 lbs.	2.92 [74.00]	
WBS12V	12.00 [304.80]	0.06 [1.50]	100 lbs.	3.88 [98.50]	
WBS14V	14.00 [356.00]	0.06 [1.50]	100 lbs.	4.20 [106.70]	
WBS20V	20.00 [508.00]	0.06 [1.50]	100 lbs.	6.36 [161.50]	
WBS24V	24.00 [609.60]	0.06 [1.50]	100 lbs.	7.00 [178.00]	
WBS30V	30.00 [762.00]	0.06 [1.50]	100 lbs.	8.75 [222.00]	
WBS36V	36.00 [914.40]	0.06 [1.50]	100 lbs.	11.00 [279.40]	



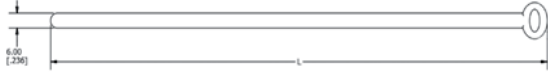
ACC-FBC shown with WBS8V

### Mounting Platform for WBS Bundle Straps or UNIRAP™ Cable Ties

304 Stainless Steel wire covered with vinyl jacket helps protect cable insulation from damage

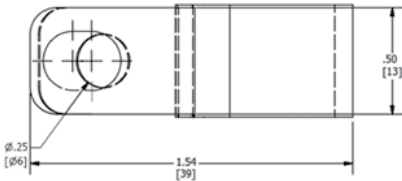
Catalog Number	Length inch [mm]	Width inch [mm]	Height inch [mm]	Max. Cable Tie Width inch [mm]	Frame Thickness
ACC-FBC	0.55 [14.00]	0.48 [12.20]	0.27 [7.00]	0.31 [8.00]	1.3mm to 2.5mm

**Wiley Insulated Wire Management**



**WIS8-2 shown**

<b>Wiley Insulated Straps</b>				
<i>Vinyl insulated steel straps protect cables from vibration and insulation damage</i>				
Catalog Number	Length inch [mm]	Diameter inch [mm]	Max. Bundle Diameter inch [mm]	Material
WIS8-2	7.87 [200.0]	0.24 [6.0]	2.00 [50.8]	Vinyl coated steel
WIS12-3	11.80 [300.0]	0.24 [6.0]	3.00 [76.2]	



**WIPC14-12 shown**

<b>Wiley Insulated P-Clips</b>				
<i>Vinyl insulated steel p-clips protect cables from vibration and insulation damage</i>				
Catalog Number	Length inch [mm]	Width inch [mm]	Max. Bundle Diameter inch [mm]	Material
WIPC14-14	1.54 [39.0]	0.24 [6.0]	0.25 [6.4]	Vinyl coated steel
WIPC14-12	1.54 [39.0]	0.24 [6.0]	0.50 [13.0]	
WIPC14-34	1.54 [39.0]	0.24 [6.0]	0.75 [19.0]	
WIPC14-1	1.54 [39.0]	0.24 [6.0]	1.00 [25.4]	
WIPC14-112	1.54 [39.0]	0.24 [6.0]	1.25 [31.8]	

# Introduction

## Installation Tools

The BURNDY<sup>®</sup> Engineered System features the most complete line of installation tools in the electrical industry. Available in various styles: battery actuated, mechanical, full cycle ratchet, self contained hydraulic, remote controlled hydraulic, along with power actuated pumps, hoses and accessories. BURNDY has the options to suit your needs. BURNDY tools are designed to integrate with the complete line of BURNDY connectors. Whether you're a small contractor working with #22 wire or a large utility working with 2500 kcmil conductor, there is a BURNDY tool available to do the job.

The benefits of the BURNDY<sup>®</sup> Engineered System are many, however, probably the most significant benefit is reliability. There is nothing more important to the electrical industry today than reliability. It represents the one area that leads to economical installations that will endure for the life of the installation.

## Tool Center

An important element of the BURNDY<sup>®</sup> Engineered System is the BURNDY Tool Center, located at 150 Burndy Road, Littleton, NH 03561 (800-426-8720 or 603-621-4499). This center provides advice and information on the operation, maintenance and repair of BURNDY tools. The repair center is staffed with specialized technicians who provide the best possible service for all BURNDY tools, pumps and accessories.

BURNDY designed and produced the first self contained hydraulic compression electrical connector installation tool in 1934. In our continuing efforts to provide the highest quality and highest value connection systems, we offer the current BURNDY tool policy.

## Limited Warranty

The majority of BURNDY tools are warranted to be free of defects in materials and workmanship for a period of five (5) years from the date of shipment. See specific tool page for length of warranty. If inspection by a certified technician shows the trouble is caused by defective workmanship or material, BURNDY will repair or (at our option) replace the tool.

### This Warranty does not apply where:

- Repairs or alterations have been made or attempted by others
- Repairs are required because of normal wear and tear
- The tool has been abused, misused or improperly maintained
- The use of any non-BURNDY product has resulted in damage to the tool

## Repair Policy

All non-warranty repaired tools are completely reconditioned and receive a limited 1-year warranty. Non-warranty repair returns tools to like-new condition at a maximum cost of 40% of a new tool. A nominal service charge of \$5 is applied to all repairs to cover shop supplies, oil disposal and other miscellaneous services not covered as part of the standard repair.

If the decision is made not to repair, a handling charge of \$25.00 will be applied plus return freight costs.

## Return Procedure

All tools sent to the BURNDY Tool Center or an authorized repair center must be accompanied by a purchase order with detailed bill to and ship to address authorizing repair. Requests for repair charges before work is done must be stated on the purchase order. All tools sent to the BURNDY Tool Center or an authorized repair center as a warranty claim must be accompanied by a proof of purchase such as a BURNDY invoice or invoice from any BURNDY distributor.

All tools must be shipped at the owner's expense, prepaid. BURNDY pays for the return freight, same surface freight as received. Airfreight returns will be returned same way collect for non-warranty repair and prepaid for warranty repairs.

This warranty and repair policy supercedes all previous policies and is in effect as of January 1, 2005.

# PAT46LWSLI

## 15-Ton, Light Weight C-Head Hydraulic Self-Contained, 18V Lithium-Ion

- 2" jaw opening
- Used with P dies; U dies with PUADP1 adapter (sold separately)
- Light weight, scoop style C-head with 355° head rotation
- Overmolded, ergonomic handle
- Improved ergonomic balance
- Includes 2 batteries, charger, and polymer carrying case



### For Use On:

#### Copper - #8 AWG Str. - 1500 kcmil

Code Cable, Navy Cable, Flexible, Extra Flexible  
1/2" - 1" Ground Rods

#### Terminals, grounding:

to 500 kcmil; YGA, YGHA, YGF

#### Terminals, uninsulated:

#8 - 1500 kcmil; YA, YA-2N, YA-L, YA-LB, YA-TC,  
YA-2LN, YAB-4N, YAV-L, YAV-RS, YA-TC-FX

#### Terminals, insulated:

#8 - 2/0; YAEV-L, YAEV-H, YAEV-RS, YAEV-RH

#### Splices:

#8 - 1500 kcmil; YS, YS-T, YS-L, YS-LB, YST,  
YSP-T, YGS, YGHS

#### Taps:

#14 - 1000 kcmil; YH, YCHC  
to 4/0 AWG; YC-C

#### Taps, grounding:

to 500 kcmil; YGHC-C, YGHP-C, YGHR-C

#### Aluminum - #8 AWG - 1250 kcmil

Code Cables

**Terminals:** YA-A, AYP, AYPO

**Splices:** YS-A, YS-AT, YRB

**Taps:** YFD, YFN, YFO, YFR

**ACSR** - see Overhead Transmission & Distribution

Sections H & I of the current BURNDY® Master Catalog

### Specifications:

<b>Output Force:</b>	15 Tons
<b>Tool Weight:</b>	18.9 lbs
<b>Size:</b>	18.00" x 14.00" x 3.00"
<b>Die Style:</b>	P and U style (with PUADP1)
<b>Jaw Opening:</b>	2.00"
<b>Operating Voltage:</b>	18 V-DC Lithium-Ion
<b>Recharge Time:</b>	30 minutes
<b>Warranty:</b>	5 year limited warranty Lifetime warranty on INFINITY DRIVE® 1 year on batteries and charger

### Accessories:

<b>P15K:</b>	Cutter Die, max. diameter 1.2"
<b>PUADP1:</b>	U Die Adapter
<b>BAT18VLI:</b>	Hi-capacity Li-Ion (3.0 AH)
<b>PATCHGRLL:</b>	120V-AC Charger
<b>PATCHGRLLDC:</b>	12/24V-DC Charger
<b>PT208620:</b>	Lanyard

### Variations:

<b>PAT46CLWSLI</b>	PAT46LWSLI with rubber covered head
<b>PAT46LWSLILCB</b>	Tool, no charger, no batteries

# Tooling

## Crimpers — Battery Actuated



# PAT46LWLI

## 15-Ton, Light Weight Latch Head

Hydraulic Self-Contained, 18V Lithium-Ion

- 2" jaw opening
- Used with P dies; U dies with PUADP1 adapter (sold separately)
- Light weight, Latch-head
- 355° head rotation
- Ergonomically balanced
- Includes 2 batteries, charger, and polymer carrying case



### For Use On:

#### Copper - #8 AWG Str. - 1500 kcmil

Code Cable, Navy Cable, Flexible, Extra Flexible  
1/2" - 1" Ground Rods

#### Terminals, grounding:

to 500 kcmil; YGA, YGHA, YGF

#### Terminals, uninsulated:

#8 - 1500 kcmil; YA, YA-2N, YA-L, YA-LB, YA-TC,  
YA-2LN, YAB-4N, YAV-L, YAV-RS, YA-TC-FX

#### Terminals, insulated:

#8 - 2/0; YAEV-L, YAEV-H, YAEV-RS, YAEV-RH

#### Splices:

#8 - 1500 kcmil; YS, YS-T, YS-L, YS-LB, YST,  
YSP-T, YGS, YGHS

#### Taps:

#14 - 1000 kcmil; YH, YCHC  
to 4/0 AWG; YC-C

#### Taps, grounding:

to 500 kcmil; YGHC-C, YGHP-C, YGHR-C

#### Aluminum - #8 AWG - 1250 kcmil

Code Cables

**Terminals:** YA-A, AYP, AYPO

**Splices:** YS-A, YS-AT, YRB

**Taps:** YFD, YFN, YFO, YFR

**ACSR** - see Overhead Transmission & Distribution

Sections H & I of the current BURNDY® Master Catalog

### Specifications:

<b>Output Force:</b>	15 Tons
<b>Tool Weight:</b>	16.8 lbs
<b>Size:</b>	18.75" x 13.75" x 3.75"
<b>Die Style:</b>	P and U style (with PUADP1)
<b>Jaw Opening:</b>	2.00"
<b>Operating Voltage:</b>	18 V-DC Lithium-Ion
<b>Recharge Time:</b>	30 minutes
<b>Warranty:</b>	5 year limited warranty Lifetime warranty on INFINITY DRIVE® 1 year on batteries and charger

### Accessories:

<b>P15K:</b>	Cutter Die, max. diameter 1.2"
<b>PUADP1:</b>	U Die Adapter
<b>BAT18VLI:</b>	Hi-capacity Li-Ion (3.0 AH)
<b>PATCHGRLI:</b>	120V-AC Charger
<b>PATCHGRLIDC:</b>	12/24V-DC Charger
<b>PT208620:</b>	Lanyard

### Variations:

**PAT46LWLILCB** Tool, no charger, no batteries

# PAT750LI

## 12-Ton, C-Head

Hydraulic Self-Contained, 18V Lithium-Ion

- 1.65" jaw opening
- Used with U dies
- C-head with 355° head rotation
- Bearing/alignment guide for HYGROUND® as well as other asymmetrical connectors
- Includes 2 batteries, charger, and polymer carrying case



### For Use On:

#### Tension Sleeves

Copper	#8 sol. - 500 kcmil
Aluminum	#8 sol. - 587.2 kcmil
ACSR	#4 - 556.5 kcmil

#### Taps

Copper	#14 sol. - 500 kcmil
Aluminum	#8 - 500 kcmil

#### Aerial Cable

Copper	#6 - 500 kcmil
--------	----------------

#### Terminals & Splices

Copper	#8 - 750 kcmil
Aluminum	#8 - 750 kcmil
ACSR	#4 - 556 kcmil

#### HYGROUND® (Compression Grounding)

Copper	#8 - 500 kcmil
Ground Rods	1/2" - 1" diameter



*Wide U-dies (sold separately) can be used with long barrel terminals and splices saving time and labor!*

### Specifications:

<b>Output Force:</b>	12 Tons
<b>Tool Weight:</b>	15.7 lbs
<b>Size:</b>	15.75" x 13.50" x 3.50"
<b>Die Style:</b>	U style
<b>Jaw Opening:</b>	1.65"
<b>Operating Voltage:</b>	18 V-DC Lithium-Ion
<b>Recharge Time:</b>	30 minutes
<b>Warranty:</b>	5 year limited warranty Lifetime warranty on INFINITY DRIVE® 1 year on batteries and charger

### Accessories:

<b>BAT18VLI:</b>	Hi-capacity LI battery (3.0 AH)
<b>PATCHGRLI:</b>	120V-AC Charger
<b>PATCHGRLLDC:</b>	12/24V-DC Charger
<b>PT208620:</b>	Lanyard

### Variations:

<b>PAT750CLI</b>	PAT750LI with rubber covered head
<b>PAT750KLI</b>	PAT750LI with KEARNEY™ style head used with KEARNEY™ WH1 and WH2 and BURNDY U dies with KUADP adapter (sold separately)
<b>PAT750LILCB</b>	Tool, no charger, no batteries
Ni-MH platform is also available:	
<b>PAT750XT18V</b>	Ni-MH battery version
<b>PAT750CXT18V</b>	PAT750XT18V (Ni-MH) with rubber covered head

# Tooling

## Crimpers — Self-Contained Hydraulic



# Y750HSXT

## 12-Ton, C-Head, HYPRESS™ Hydraulic Self-Contained, Hand Operated Tool

- 355° head rotation
- 1.65" jaw opening
- Rapid advance pump
- Uses standard BURNDY U dies (sold separately)



### For Use On:

#### Tension Sleeves

Copper	#8 sol. - 500 kcmil
Aluminum	#8 sol. - 587.2 kcmil
ACSR	#4 - 556.5 kcmil

#### Taps

Copper	#14 sol. - 500 kcmil
Aluminum	#8 - 500 kcmil

#### Aerial Cable

Copper	#6 - 500 kcmil
--------	----------------

#### Terminals & Splices

Copper	#8 - 750 kcmil
Aluminum	#8 - 750 kcmil
ACSR	#4 - 556 kcmil

#### HYGROUND® (Compression Grounding)

Copper	#8 - 500 kcmil
Ground Rods	1/2" - 1" diameter

### Variations:

Y750CHSXT Rubber covered head version

### Specifications:

Output Force:	12 Tons
Tool Weight:	14.5 lbs
Size:	24.00" x 8.75" x 2.88"
Die Style:	U style
Jaw Opening:	1.65"
Warranty:	5 year limited warranty

### Accessories:

Y750HSCASE:	Plastic carrying case for Y750HSXT/Y750CHSXT
FORCEGAUGE1215:	Force test gauge for accurate reading of output force
PT29291:	Steel die case for U dies



**Y46LWSBH****15-Ton, Remote Light Weight C-Head**  
Remote Operated Hydraulic Tool

- 2" jaw opening
- Used with P dies; U dies with PUADP1 adapter (sold separately)
- Positive push button die locks
- Light weight scoop style open head design

**For Use On:****Copper - #8 AWG Str. - 1500 kcmil**

Code Cable, Navy Cable, Flexible, Extra Flexible  
1/2" - 1" Ground Rods

**Terminals, grounding:**

to 500 kcmil; YGA, YGHA, YGF

**Terminals, uninsulated:**

#8 - 1500 kcmil; YA, YA-2N, YA-L, YA-LB, YA-TC,  
YA-2LN, YAB-4N, YAV-L, YAV-RS, YA-TC-FX

**Terminals, insulated:**

#8 - 2/0; YAEV-L, YAEV-H, YAEV-RS, YAEV-RH

**Splices:**

#8 - 1500 kcmil; YS, YS-T, YS-L, YS-LB, YST,  
YSP-T, YGS, YGHS

**Taps:**

#14 - 1000 kcmil; YH, YCHC  
to 4/0 AWG; YC-C

**Taps, grounding:**

to 500 kcmil; YGHC-C, YGHP-C, YGHR-C

**Aluminum - #8 AWG - 1250 kcmil**

Code Cables

**Terminals:** YA-A, AYP, AYPO

**Splices:** YS-A, YS-AT, YRB

**Taps:** YFD, YFN, YFO, YFR

**ACSR** - See Overhead Transmission & Distribution  
Sections H & I of the current BURNDY® Master Catalog

**Specifications:**

<b>Output Force:</b>	15 Tons
<b>Tool Weight:</b>	14.6 lbs
<b>Size:</b>	14.93" x 5.12" x 3.12"
<b>Die Style:</b>	P style and U style with PUADP1 adapter
<b>Operating Pressure:</b>	10,000 PSI
<b>Cycles:</b>	10,000
<b>Warranty:</b>	5 year limited warranty

**Accessories:**

<b>PUADP1:</b>	U die adapter
<b>P15K:</b>	Cutter Die, max. diameter 1.2"
<b>PT10054094:</b>	Carry Bag (included with tool)

*See Hydraulic Pumps and Hydraulic Hoses;  
Pump Accessories  
for other necessary equipment.*

**Variations:**

<b>Y46CLWSBH</b>	Permanently molded head of 3/16" rubber included separate molded rubber boot for lower body and hydraulic coupler
<b>Y46CLWSBHF</b>	Y46CLWSBH (covered) tool with female coupler
<b>Y46LWSBHF</b>	Y46LWSBH tool with Female coupler (not rubber covered)

# Tooling

## Crimpers — Remote Hydraulic



### Y46LWBH

#### 15-Ton, Remote Lt. Wt. Latch Head

Remote Operated Hydraulic Tool

- 2" ram travel
- Used with P dies; U dies with PUADP1 adapter (sold separately)
- Positive push button die locks
- Light weight latch head design



#### For Use On:

##### Copper - #8 AWG Str. - 1500 kcmil

Code Cable, Navy Cable, Flexible, Extra Flexible  
1/2" - 1" Ground Rods

##### Terminals, grounding:

to 500 kcmil; YGA, YGHA, YGF

##### Terminals, uninsulated:

#8 - 1500 kcmil; YA, YA-2N, YA-L, YA-LB, YA-TC,  
YA-2LN, YAB-4N, YAV-L, YAV-RS, YA-TC-FX

##### Terminals, insulated:

#8 - 2/0; YAEV-L, YAEV-H, YAEV-RS, YAEV-RH

##### Splices:

#8 - 1500 kcmil; YS, YS-T, YS-L, YS-LB, YST,  
YSP-T, YGS, YGHS

##### Taps:

#14 - 1000 kcmil; YH, YCHC  
to 4/0 AWG; YC-C

##### Taps, grounding:

to 500 kcmil; YGHC-C, YGHP-C, YGHR-C

##### Aluminum - #8 AWG - 1250 kcmil

Code Cables

**Terminals:** YA-A, AYP, AYPO

**Splices:** YS-A, YS-AT, YRB

**Taps:** YFD, YFN, YFO, YFR

**ACSR** - See Overhead Transmission & Distribution  
Sections H & I of the current BURNDY® Master Catalog

#### Specifications:

<b>Output Force:</b>	15 Tons
<b>Tool Weight:</b>	12.5 lbs
<b>Size:</b>	15.50" x 5.12" x 3.12"
<b>Die Style:</b>	P style and U style with PUADP1 adapter
<b>Operating Pressure:</b>	10,000 PSI
<b>Cycles:</b>	10,000
<b>Warranty:</b>	5 year limited warranty

#### Accessories:

<b>PUADP1:</b>	U die adapter
<b>P15K:</b>	Cutter Die, max. diameter 1.2"
<b>PT10054094:</b>	Carry Bag (included with tool)

*See Hydraulic Pumps and Hydraulic Hoses;  
Pump Accessories  
for other necessary equipment.*

#### Variations:

<b>Y46LWBHF</b>	Y46LWBH tool with Female coupler (not rubber covered)
-----------------	---

**Y750BHXT****12-Ton, Remote C-Head**  
Remote Operated Hydraulic Tool

- 1.65" jaw opening
- 355° head rotation
- Used with U style dies
- Exposed positive die lock buttons

**For Use On:****Tension Sleeves**

Copper	#8 sol. - 500 kcmil
Aluminum	#8 sol. - 587.2 kcmil
ACSR	#4 - 556.5 kcmil

**Taps**

Copper	#14 sol. - 500 kcmil
Aluminum	#8 - 500 kcmil

**Aerial Cable**

Copper	#6 - 500 kcmil
--------	----------------

**Terminals & Splices**

Copper	#8 - 750 kcmil
Aluminum	#8 - 750 kcmil
ACSR	#4 - 556 kcmil

**HYGROUND® (Compression Grounding)**

Copper	#8 - 500 kcmil
Ground Rods	1/2" - 1" diameter

**Specifications:**

<b>Output Force:</b>	12 Tons
<b>Tool Weight:</b>	10.3 lbs
<b>Size:</b>	12.88" x 5.25" x 3.12"
<b>Die Style:</b>	U style
<b>Jaw Opening:</b>	1.65"
<b>Operating Pressure:</b>	10,000 PSI
<b>Warranty:</b>	5 year limited warranty

**Variations:**

<b>Y750CBHXT</b>	Y750BHXT with molded rubber covering on head, body and hose fittings
------------------	--

**Accessories:**

<b>PT294021:</b>	Adjustable head grip for joining head to universal hot sticks
<b>PT29291:</b>	Steel die case for storage and protection of U dies
<b>PT10054094:</b>	Canvas carry bag (included with tool)

**See Hydraulic Pumps and Hydraulic Hoses;  
Pump Accessories  
for other necessary equipment.**

# 12-Ton U Dies\*

**For Y35, Y39, Y750, PAT750 Series  
PAT46 Series (with PUADP1 Adapter)**

\* Non-tension U-type 12 ton dies for YA, YS, YA-A, YS-A style connectors

\*\* Wide dies are intended for use on long barrel terminals and splices (YA/YS) only.



*U28RT Die Set*

Die Sets sold separately; U Die Kits also available; see following page

Note: N/A = not applicable

Wire Size	Copper	Copper Wide Die**	Aluminum
#8 AWG	U8CRT	U8CRTW	U8CABT
#6 AWG	U5CRT	U5CRTW	U6CABT
#4 AWG	U4CRT	U4CRTW	U4CABT
#3 AWG	U3CRT	U3CRTW	N/A
#2 AWG	U2CRT	U2CRTW	U2CABT
#1 AWG	U1CRT1	U1CRT1W	U1CART
1/0 AWG	U25RT	U25RTW	U25ART
2/0 AWG	U26RT	U26RTW	U26ART
3/0 AWG	U27RT	U27RTW	U27ART
4/0 AWG	U28RT	U28RTW	U28ART
250 kcmil	U29RT	N/A	U29ART
300 kcmil	U30RT		U30ART
350 kcmil	U31RT		U31ART
400 kcmil	U32RT		U32ART
500 kcmil	U34RT		U34ART
535 Flex	U38XRT		N/A
600 kcmil	U36RT		U36ART
750 kcmil	U39RT		U39ART2
777 Flex	U44XRT		N/A



*U5CRTW Wide Die Set*



*PT29291 die box is available (sold separately) holding up to 15 "U" style (standard or wide) die sets; dies not included.*

# U Die Kits

**For Y35, Y39, Y750, PAT750 Series  
PAT46 Series (with PUADP1 Adapter)**

**UDIEKITCU** and **UDIEKITAL** include 15 sets of “U” dies and die case. These stainless steel color coded dies are for crimping YA, YS, YA-A, and YS-A types of connectors, ranging from #6 AWG through 750 kcmil.

**UDIEKITCUW** includes 9 sets of wide stainless steel color coded dies for crimping long barrel YA and YS types of connectors up to 4/0 AWG. The wide dies require only one crimp compared to 2 for the standard width dies.

**UDIEKITCU**



Note: N/A = not applicable

Wire Size	UDIEKITCU includes	UDIEKITCUW includes	UDIEKITAL includes
#8 AWG	N/A	U8CRTW	N/A
#6 AWG	U5CRT	U5CRTW	U6CABT
#4 AWG	U4CRT	U4CRTW	U4CABT
#2 AWG	U2CRT	U2CRTW	U2CABT
#1 AWG	U1CRT1	U1CRT1W	U1CART
1/0 AWG	U25RT	U25RTW	U25ART
2/0 AWG	U26RT	U26RTW	U26ART
3/0 AWG	U27RT	U27RTW	U27ART
4/0 AWG	U28RT	U28RTW	U28ART
250 kcmil	U29RT	N/A	U29ART
300 kcmil	U30RT		U30ART
350 kcmil	U31RT		U31ART
400 kcmil	U32RT		U32ART
500 kcmil	U34RT		U34ART
600 kcmil	U36RT		U36ART
750 kcmil	U39RT		U39ART2
Die Case	PT29291	PT29291	PT29291

**UDIEKITHYGRD** includes 8 dies sets. Seven die sets are used to install the BURNDY® HYGROUND® irreversible compression grounding connectors; the U2CABT die set is for pre-crimping 1/2”, 5/8” and 3/4” ground rods for increased rotational resistance. The UDIEKITHYGRD also includes the PT29291 die case.

<b>UDIEKITHYGRD includes</b>
<b>UC, UO, U997, PU998, U1011, U1104, U1105, U2CABT</b> (Ground rod pre-crimp die), and <b>PT29291</b> die case

# W Dies

**For MD6, MD7, Y500CTHS, PAT500SJ, PAT600, PATMD6 and CSMD Series**

\* These sizes (250 - 500) for Y500CTHS, MD734, and MD734R only.

\*\* For PAT600 and PAT500SJ series and Y500CTHS only.

Note: N/A = not applicable

Suitable for use on YA, YS, YA-A, YS-A type non-tension connectors.

Die Sets sold separately; W Die Kits also available; see following page



*W25RT Die Set*

Wire Size	Copper (-VT)	Copper (-RT)	Aluminum
#8 AWG	W8CVT	W8CRT	X8CART
#6 AWG	W5CVT	W5CRT	W161
#4 AWG	W4CVT	W4CRT	W162
#3 AWG	W3CRT	W3CRT	N/A
#2 AWG	W2CVT	W2CRT	W239
#1 AWG	W1CVT	W1CRT1	W163
1/0 AWG	W25VT	W25RT	W241
2/0 AWG	W26VT	W26RT	W245
3/0 AWG	W27VT	W27RT	W166
4/0 AWG	W28VT	W28RT	W660
250 kcmil	W29VT*	W29RT*	W249
300 kcmil	W30VT*	W30RT*	N/A
350 kcmil	W31VT*	W31RT*	W31ART*
400 kcmil	W32VT*	W32RT*	N/A
450 kcmil	W33VT*	W33RT*	N/A
500 kcmil	W34VT*	W34RT*	N/A
600 kcmil	N/A	W36RT**	N/A

VT = "V" profile die for reduced handle force when using MD6/MD7 series tools; Twin die (includes both halves)  
 RT = Round die (circumferential); Twin die (includes both halves)



*WDIETREE* available (sold separately); holds up to 6 "W" style die sets (dies not included); shown with WBG die set (not included)



*CASEWDIES* die box available (sold separately); holds up to 12 "W" or "X" style die sets (dies not included)

# W Die Kits

**For MD6, MD7, Y500CTHS, PAT500SJ, PAT600, PATMD6 and CSMD Series**

\* These sizes (250 - 500) for PAT600 and PAT500SJ Series, Y500CTHS, MD734, and MD734R only.

Note: N/A = not applicable

Suitable for use on YA, YS, YA-A, YS-A type non-tension connectors.



**CASEWDIES**  
included with die kits;  
also sold separately  
(dies not included)

Wire Size	WDIEKITCU for Copper includes	WDIEKITAL for Aluminum includes
#8 AWG	W8CRT	X8CART
#6 AWG	W5CRT	W161
#4 AWG	W4CRT	W162
#2 AWG	W2CRT	W239
#1 AWG	W1CRT1	W163
1/0 AWG	W25RT	W241
2/0 AWG	W26RT	W245
3/0 AWG	W27RT	W166
4/0 AWG	W28RT	W660
250 kcmil	W29RT*	W249
350 kcmil	W31RT*	W31ART*
500 kcmil	W34RT*	N/A
Die Case	CASEWDIES	CASEWDIES

# Tooling

## Cutters — Battery Actuated



# PATCUT129LI

**Latch Head, Cu/Al to 1.29" diameter**  
Hydraulic Self-Contained Cutter, 18V Lithium-Ion

- 180° head rotation
- Overmolded handle and ergonomic design
- One-handed operation for advance, retract and hold
- Latch head design for interference free closure for mid-span cuts
- Includes 2 batteries, charger, and polymer carrying case



### For Use On:

**Copper/Aluminum Cable:** up to 1.29"

**ACSR:** up to 1113 kcmil

**Ground Rod:** up to 5/8"

**Rebar:** up to 1/2"

**Soft Steel Bolts:** up to 5/8"

**Standard Guy:** up to 1/2"

**EHS Guy Strand:** up to 3/8"

### Specifications:

**Output Force:** 7 Tons  
**Tool Weight:** 10.2 lbs  
**Size:** 14.50" x 13.50" x 3.50"  
**Operating Voltage:** 18 V-DC Lithium-Ion  
**Recharge Time:** 30 minutes  
**Warranty:** 5 year limited warranty (excluding blades) Lifetime warranty on INFINITY DRIVE® 1 year on batteries and charger

### Variations:

**PATCUT129LIDC** Tool with 12/24V-DC charger in place of AC charger

**PATCUT129LILCB** Tool, no charger, no batteries

Ni-MH platform is also available:

**PATCUT129ACSR18V** Ni-MH battery version

**PATCUT129ACSR18VDC** Ni-MH battery version with 12/24V-DC charger in place of AC charger

**PATCUT129ACSR18V250V** Ni-MH battery version with 240/250 V-AC Charger

### Accessories:

**BAT18VLI:** Hi-capacity LI battery (3.0 AH)

**PATCHGRLI:** 120V-AC Charger

**PATCHGRLIDC:** 12/24V-DC Charger

**PT208620:** Lanyard

**PT10037388:** Replacement Moving Blade

**PT10037384:** Replacement Fixed Blade



**PATCUT245LI****Latch Head, Cu/Al up to 2.45" O.D.**  
Hydraulic Self-Contained Cutter 18V Lithium-Ion

- 180° head rotation
- Cuts up to 2.45" diameter copper/aluminum cable
- Specialized latch style cutting head for interference-free closure for mid-span work
- Ergonomic design, overmolded handle
- Includes 2 batteries, charger, and polymer carrying case

**For Use On:****Copper/Aluminum Cable:**  
Up to 2.45" O.D.**For Copper and Aluminum cable only. Do not cut steel, ground rod, rebar or guy wire.****Variations:**

**PATCUT245LIDC** Tool with 12/24V-DC charger in place of AC charger

**PATCUT245LILCB** Tool, no charger, no batteries

Ni-MH platform is also available:

**PATCUT245CUAL18V** Ni-MH battery version

**PATCUT245CUAL18VDC** Ni-MH battery version with 12/24V-DC charger in place of AC charger

**PATCUT245CUAL18V250V** Ni-MH battery version with 240/250 V-AC Charger

**Specifications:**

**Output Force:** 6 Tons

**Tool Weight:** 13.7 lbs

**Size:** 18.13" x 13.50" x 3.50"

**Operating Voltage:** 18 V-DC Lithium-Ion

**Recharge Time:** 30 minutes

**Warranty:** 5 year limited warranty (excluding blades) Lifetime warranty on INFINITY DRIVE® 1 year on batteries and charger

**Accessories:**

**BAT18VLI:** Hi-capacity LI battery (3.0 AH)

**PATCHGRLI:** 120V-AC Charger

**PATCHGRLIDC:** 12/24V-DC Charger

**PT208620:** Lanyard

**PT10038657:** Replacement Moving Blade

**PT10040663:** Replacement Fixed Blade

# Tooling

## Cutters — Battery Actuated



# BCC1000CUAL

## Sealed Nickel Cadmium Cutter

Cuts up to 750 kcmil hard drawn copper;  
1000 kcmil soft drawn copper; 2" O.D. aluminum

- Hook head design
- Three-way switch
- Hardened steel blades
- Withstands rugged use, resists oil and solvents
- Includes 1 battery, 1 charger, and case

### For Use On:

#### Hard Drawn Copper:

750 kcmil

#### Soft Drawn Copper:

1000 kcmil

#### Aluminum:

up to 2" O.D

#### Do Not Cut Steel or ACSR



### Specifications:

<b>Tool Weight:</b>	6.0 lbs
<b>Size:</b>	14.50" x 4.50" x 4.00"
<b>Operating Voltage:</b>	12 V-DC Nickel Cadmium
<b>Recharge Time:</b>	1 hour (fast) to 16 hours (standard)
<b>Warranty:</b>	90 day limited warranty (excluding blades)



### Accessories:

<b>BCCBAT12V:</b>	Sealed nickel cadmium battery
<b>BCCCHGR:</b>	120 V-AC Charger
<b>BCCCASE:</b>	Replacement Case for BCC1000CUAL tool
<b>RP50RP03:</b>	Replaceable Moving Blade
<b>RP50RP02:</b>	Replaceable Fixed Blade

# YCUT129ACSR

## Latch Head Style

Hydraulic Hand Operated Cutter

- Rapid advance pump
- Handle trigger drain
- Interference free closure on mid-span cuts
- 180° head rotation



### For Use On:

**Copper/Aluminum Cable:** up to 1.29"

**ACSR:** up to 1113 kcmil

**Ground Rod:** up to 5/8"

**Rebar:** up to 1/2"

**Soft Steel Bolts:** up to 5/8"

**Standard Guy:** up to 1/2"

**EHS Guy Strand:** up to 3/8"

### Specifications:

**Output Force:** 7 Tons  
**Weight:** 11.4 lbs  
**Size:** 22.50" x 6.63" x 2.50"  
**Warranty:** 5 year limited warranty (excluding blades)



*PT10024162 Hard Polymer Case for YCUT129ACSR*

### Accessories:

**PT10024162:** Carrying Case (included with tool)  
**PT10037388:** Moving Blade  
**PT10037384:** Fixed Blade

# Tooling

## Cutters — Remote Hydraulic



# RHCC129ACSR

## Latch Head, Remote Operated Cutter

Cuts up to 1.29" Copper / Aluminum Cable

- Interference free closure for mid-span cuts
- Precision cutting blades for clean cuts
- High strength steel cylinder
- Light weight, ergonomic design
- Durable canvas carrying bag stores tool and accessories



### For Use On:

**Copper/Aluminum Cable:** up to 1.29"

**ACSR:** up to 1113 kcmil

**Ground Rod:** up to 5/8"

**Rebar:** up to 1/2"

**Soft Steel Bolts:** up to 5/8"

**Standard Guy:** up to 1/2"

**EHS Guy Strand:** up to 3/8"

### Specifications:

**Operating Pressure:** 10,000 PSI

**Weight:** 5.8 lbs

**Size:** 11.25" x 3.75" x 3.00"

**Warranty:** 5 year limited warranty (excluding blades)

### Accessories:

**PT10043890:** Canvas Bag (included with tool)

**PT10037388:** Moving Blade

**PT10037384:** Fixed Blade

**RHCCHSA:** Hot Stick Adapter



*PT10043890 Canvas Bag available separately  
(included with tool)*

*See Hydraulic Pumps and Hydraulic Hoses;  
Pump Accessories  
for other necessary equipment.*

## RHCC245CUAL

### Latch Head, Remote Operated Cutter Cuts up to 2.45" Copper / Aluminum Cable

- Interference free closure for mid-span cuts
- Precision cutting blades for clean cuts
- Lightweight ergonomic design
- Durable canvas carrying bag stores tool and accessories

#### For Use On:

Copper/Aluminum Cable: up to 2.45"



*PT10054094 Canvas Bag available separately  
(included with tool)*

#### Specifications:

Operating Pressure:	10,000 PSI
Weight:	8.3 lbs
Size:	14.87" x 4.75" x 3.00"
Warranty:	5 year limited warranty (excluding blades)

#### Accessories:

PT10054094:	Canvas Bag (included with tool)
PT10038657:	Moving Blade
PT10040663:	Fixed Blade
RHCCHSA:	Hot Stick Adapter

**See Hydraulic Pumps and Hydraulic Hoses;  
Pump Accessories  
for other necessary equipment.**

## MCC Series

### Manual Cable Cutters

MCC600 cuts to 600 kcmil Cu/Al;  
MCC1000 cuts to 1000 kcmil Cu/Al

- Rugged, high quality steel cutting blades
- Fiberglass handles with soft grips
- Excellent cutting edge performance
- Minimum of cable distortion

---

#### For Use On:

**Copper/Aluminum Cable:** up to 600 kcmil (MCC600)  
up to 1000 kcmil (MCC1000)

---

#### Variations:

<b>MCC600</b>	3.5 lbs; 21" overall length; cuts copper and aluminum cable to 600 kcmil; max. insulation diameter 1.31"
<b>MCC1000</b>	9.0 lbs; 32" overall length; cuts copper and aluminum cable to 1000 kcmil; max. insulation diameter 1.90"



---

#### Specifications (MCC600):

<b>Weight:</b>	3.5 lbs
<b>Size:</b>	21.00 x 5.00" x 2.00"
<b>Max. Insulation Dia.:</b>	1.31"
<b>Warranty:</b>	1 year limited warranty (excluding blades)

---

#### Accessories:

<b>MCC600BLADESET:</b>	Replacement blades for MCC600
<b>MCC1000BLADESET:</b>	Replacement blades for MCC1000

**RCC - Cu/Al****RCC-Series Ratchet Cutters for Cu/Al**

Three variations covering a range of Cu/Al

- Rugged, high quality steel cutting blades
- Excellent cutting edge performance
- Minimum of cable distortion

**For Use On:**

**RCC600E:** Copper & Aluminum 600 kcmil

**RCC750HD:** Copper & Aluminum 750 kcmil

**RCC1000:** Copper & Aluminum 1000 kcmil

**Variations:**

**RCC600E** 10.5" overall length; cuts copper and aluminum cable to 600 kcmil; max. insulation diameter 1.05"; 1.3 lbs

**RCC750HD** 10.5" overall length; cuts copper and aluminum cable to 750 kcmil; max. insulation diameter 1.62"; 2.4 lbs

**RCC1000** 20" overall length; cuts copper and aluminum cable to 1000 kcmil; max. insulation diameter 2.38"; 5.0 lbs

**Specifications (RCC600E):**

<b>Weight:</b>	1.3 lbs
<b>Length:</b>	10.50" x 4.25" x 1.75"
<b>Max. Insulation Dia.:</b>	1.05"
<b>Warranty:</b>	1 year limited warranty (excluding blades)

**Accessories:**

<b>RPC701302:</b>	Fixed Replacement Blade for RCC1000
<b>RPC701402:</b>	Moveable Replacement Blade for RCC1000

**RCC - Cu/Al & ACSR**

**RCC-Series Cutters for Cu/Al & ACSR**

Three variations covering a range of Cu/Al & ACSR

- Quick release, bi-directional ratchet mechanism
- Rapid blade advance
- Easy cutting with minimal cable distortion

**For Use On:**

**RCC954ACSR1K:** Copper 1000 kcmil;  
 Aluminum 1000 kcmil;  
 ACSR 954 kcmil

**RCC556:** Copper 500 kcmil;  
 Aluminum 500 kcmil;  
 ACSR 556 kcmil

**RCC336:** Copper 350 kcmil;  
 Aluminum 500 kcmil;  
 ACSR 336 kcmil

**Variations:**

**RCC954ACSR1K** 22.75" overall length; 1.38" max.  
 insulation diameter; 6.5 lbs

**RCC556** 20" overall length; 1.25" max.  
 insulation diameter; 4.5 lbs

**RCC336** 10.5" overall length; .74" max.  
 insulation diameter; 1.2 lbs



**RCC954ACSR1K**

**Specifications (RCC954ACSR1K):**

**Weight:** 6.5 lbs  
**Size:** 22.75" x 7.00" x 1.88"  
**Max. Insulation Dia.:** 1.38"  
**Warranty:** 1 year limited warranty  
 (excluding blades)

**Accessories:**

**RPC705501:** Fixed Replacement Blade for RCC556  
**RPC705601:** Moveable Replacement Blade for RCC556

**RPC902101:** Fixed Replacement Blade for RCC336  
**RPC902201:** Moveable Replacement Blade for RCC336



# Y10AC9

## Electric Hydraulic Pump; 10,000 PSI

Light weight, space saving design

- Easy to carry and transport
- Factory set relief valve
- 100,000+ life cycles
- Sealed electric pendant switch with 10-foot cord

### For Use With:

**Y10AC9:** 10,000 PSI electric pump  
**Used with:** Y34BH, Y35BH, Y35BH4, Y39BH, Y45, Y46, Y46C, Y750BHXT, Y750CBHXT, Y644MBH, Y4PC834MBH, Y81KFTMBH, Y60BHU, Y60LW, RHCC Series Cutters

### Variations:

**Y10AC9OEM** Electric hydraulic pump with foot switch; pump features "Jog & Hold"



### Specifications:

<b>Weight:</b>	28.0 lbs (including oil)
<b>Motor:</b>	115V-AC 50/60 Hz 5/8 HP, 10,000 RPM
<b>Height:</b>	14.38"
<b>Base:</b>	18.00" x 8.75" x 6.50"
<b>Max. Current Draw:</b>	11 amp
<b>Reservoir Volume:</b>	1.61 quarts
<b>Warranty:</b>	5 year limited warranty

*Examples of some of the remote crimping and cutting heads for use with Y10AC9 pump*



**Y60LW**



**RHCC129ACSR**



**Y4PC834MBH**

### Accessories:

**YACCASE:** Steel carrying case with handle and locking latch  
**YACFC:** Foot control switch

**See Hydraulic Hoses; Pump Accessories for Hose options**

# Tooling Hydraulic Pumps



## EPP10

### Electric Hydraulic Pump; 10,000 PSI

Also available in 6,000 PSI

- Lightweight, small size
- 100,000+ life cycles
- Durable remote pendant switch

#### Variations / For Use With:

**EPP10:** 10,000 PSI electric pump  
**Used with:** Y34BH, Y35BH, Y35BH4, Y750BHXT,  
Y750CBHXT, Y39BH, Y45, Y46C, Y46,  
Y60BHU, Y60LW, Y644MBH,  
Y4PC834MBH, Y81KFTMBH,  
RHCC Series Cutters

**EPP6:** 6,000 PSI electric pump  
**Used with:** Y29BH, Y35L

*Examples of some of  
the remote crimping and  
cutting heads for use  
with EPP10 pump*



#### Specifications:

<b>Motor:</b>	115V-AC/60 Hz 1/2 HP @ 3450 RPM
<b>Max. Current Draw:</b>	12.5 amperes
<b>Weight:</b>	30.0 lbs
<b>Base:</b>	18.00" x 8.00" x 6.00"
<b>Height:</b>	16.00"
<b>Reservoir Volume:</b>	2 quarts
<b>Warranty:</b>	5 year limited warranty

#### Accessories:

- EPPCASE1:** Steel carrying case with handle, locking latch
- PT9711:** Pendant switch

*See Hydraulic Hoses; Pump Accessories  
for Hose options*

## Hydraulic Hoses

### 10,000 PSI Non Conductive Hoses

- 3 lengths available in 2 diameters
- Orange
- Stackable couplers (male/female)

---

#### Variations:

PT2990010	10' length; 3/16" diameter
PT2990015	15' length; 3/16" diameter
PT2990025	25' length; 3/16" diameter
PT2990110	10' length; 1/4" diameter
PT2990115	15' length; 1/4" diameter
PT2990125	25' length; 1/4" diameter

---

#### Notes:

For proper care and maintenance of hydraulic hoses, consult the **Hydraulic Hose Care Manual; Form #7828**.

1/4" diameter (available for 10,000 PSI only) hose provides a higher flow rate for faster ram movement.



### 6,000 PSI Non Conductive Hoses

- 3 lengths available
- Orange
- Stackable couplers (male/female)

---

#### Variations:

PT2990210	10' length; 3/16" diameter
PT2990215	15' length; 3/16" diameter
PT2990225	25' length; 3/16" diameter

# Tooling

## Adjustable - Ratchet Torque Tools



### BTW Series

#### Micro-Adjustable Professional Grade

Hand-operated "Click-Type" Torque Wrenches

- Ratcheting, calibrated, dual direction
- Positive lock with spring-loaded pull-down lock ring
- Individually serialized with matching certificate of calibration traceable to N.I.S.T.
- ASME B107.14M-1994 and ISO 6789

#### For Use On:

Any mechanical connection with torque values within range of specific torque wrench. Including, but not limited to:

Types: SERVIT<sup>®</sup>, OKLIP<sup>™</sup>, VERSITAP<sup>™</sup>, SCRULUG<sup>™</sup>, Lay-In QIKLUG<sup>™</sup>, VARITAP<sup>™</sup>, VARILUG<sup>™</sup>, KA-U Universal Terminals, UNITAP<sup>™</sup>, POLYTAP<sup>™</sup>, BARTAP<sup>™</sup>, Type BIPC, Terminal Blocks, U-BLOK<sup>™</sup>, SPEC-BLOK<sup>™</sup>, VERSIPOLE<sup>™</sup>

#### Variations:

- |                   |  |
|-------------------|--|
| <b>BTW30150</b>   | Torque range 30 - 150 in-lbs; 10.25" long; 3/8" drive  |
| <b>BTW150750</b>  | Torque range 150 - 750 in-lbs; 16.00" long; 3/8" drive |
| <b>BTW1575F12</b> | Torque range 15 - 75 ft-lbs; 16.00" long; 1/2" drive   |



#### Specifications:

- |                              |   |
|------------------------------|---|
| <b>Accuracy:</b>             | ±4% clockwise; ±6% counter clockwise of indicated value clockwise, from 20% to 100% of full scale |
| <b>Applicable Standards:</b> | ASME B107.14M-1994; ISO 6789  |
| <b>Calibration:</b>          | Traceable to N.I.S.T.   |
| <b>Warranty:</b>             | 1 year limited warranty   |



**INTRODUCTION**

BURNDY wiring accessories have been designed to supplement and enhance BURNDY connector selection and use. All have been designed and engineered for easy installation

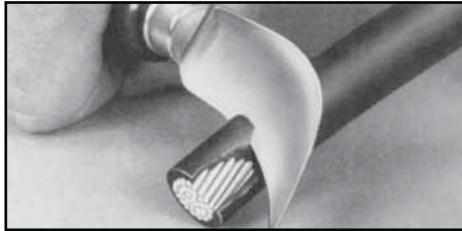
and long life, reflecting over 85 years of experience and resulting contributions to all aspects of the electrical industry.

**PENETROX™**

**HOW TO INSTALL CONNECTORS:**

**1. Select the right connector.**

Always use an aluminum connector for aluminum or copper conductor. Choose a connector that's marked for the wire size you're using. Never use a copper connector on aluminum conductor.

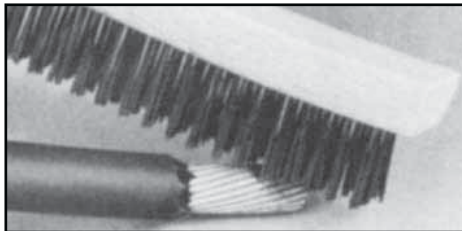


**2. Strip carefully.**

Remove the insulation without nicking the wire.

**3. Brush thoroughly.**

Always wire-brush the stripped portion of the wire. An unplated terminal pad, and the surface to which the terminal will be attached should also be wire-brushed.



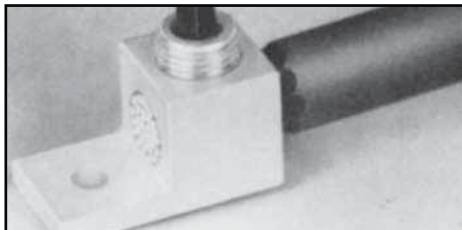
**4. Apply PENETROX™**

For mechanical connectors, apply PENETROX™ joint compound liberally to the conductor to prevent the formation of surface oxides once the connection is made. Also apply PENETROX™ to any terminal pad.



**5. Tighten completely.**

For mechanical connectors, use wrench or screwdriver to securely tighten the aluminum connectors, as recommended by BURNDY.



**6. Crimp.**

For compression connectors, choose the right die and the right tool. Insert the wire completely and make the recommended number of crimps.



## TYPES PENETROX™ A, A-13, E AND HT

### OXIDE-INHIBITING JOINT COMPOUNDS

PENETROX™ oxide-inhibiting compounds produce low initial contact resistance, seal out air and moisture, prevent oxidation or corrosion, exhibit superior weathering characteristics, are usable over wide temperature ranges, and provide a high conductivity “gas-tight” joint. All PENETROX™ compounds contain homogeneously suspended metal particles. The suspended metal particles assist in penetrating thin oxide films, act as electrical “bridges” between conductor strands, aid in gripping the conductor, improve electrical conductivity and enhance the integrity of the connection.

The specially formulated PENETROX™ compounds are for use with compression and bolted connectors providing an improved service life for both copper and aluminum connections. Additionally, the nontoxic compounds are an excellent lubricant for threaded applications reducing galling and seizing.



#### PENACARTRIDGE

PENACARTRIDGE is a 1 lb. cartridge filled with PENETROX-A. It's designed to fit standard caulking guns for easy insertion into transmission and distribution connectors. Additionally, this packaging design provides a convenient method for applying PENETROX™ to many different applications.



#### PENETROX™ A-13

PENETROX™ A-13 is a synthetic base compound with evenly suspended zinc particles. It is recommended for aluminum to aluminum, aluminum to copper connections plus aluminum conduit threads. It is compatible with rubber, polyethylene and other insulating materials. UL Listed for all volt-ages.



#### PENETROX™ A

PENETROX A is a natural (petroleum) base compound with evenly suspended zinc particles. It is recommended for aluminum to aluminum, aluminum to copper connections and aluminum conduit threads. It is not recommended for use with rubber or polyethylene insulated conductors. UL listed to 600V.



#### PENETROX™ E

PENETROX™ E is a synthetic base compound with evenly suspended copper particles. It is recommended for copper to copper, copper threads and all grounding applications. UL Listed.



#### PENETROX™ HT

PENETROX™ HT is a synthetic silicone based compound with evenly suspended zinc particles and nickel-aluminum alloy particles. It is recommended for aluminum to aluminum connections. It is compatible with rubber. Designed for use with High Temperature ACSS and ACCC connectors. Not UL Listed.



**PENETROX™ A,  
A-13, E AND HT**

**TECHNICAL INFORMATION**

**PENETROX A**

PENETROX A consists of a natural (petroleum) base vehicle in which zinc particles are suspended. For aluminum to aluminum, aluminum to copper applications and aluminum conduit threads. It is not recommended for use with rubber and polyethylene insulated conductors. UL Listed to 600 volts.

**PENETROX A-13**

PENETROX A-13 consists of a non-petroleum base vehicle in which zinc particles are suspended. Recommended for aluminum to aluminum, aluminum to copper applications and aluminum conduit threads. Compatible with insulating materials such as rubber, or polyethylene. UL Listed and recommended for all voltages.

**PENETROX E**

PENETROX E consists of a non-petroleum base vehicle in which copper granules are suspended. Recommended for copper to copper applications, grounding and for use on copper conduit threads. UL Listed to 600 volts.

**PENETROX HT**

PENETROX HT consists of a non-petroleum base vehicle in which zinc and nickel-aluminum particles are suspended. Recommended for use with aluminum to aluminum High Temperature rated ACSS and ACCC conductors. Not UL Listed.

**Easy to apply:**

1. Scratch brush the conductor surfaces until bright and clean.
2. Immediately apply PENETROX™ to the conductive surfaces.
3. For EHV applications, remove all excess PENETROX™ after installation is complete.



**SHELF LIFE**

When stored in its original container in cool (under 100°F) dry environment, PENETROX™ oxide inhibiting compound will remain workable and functional for 5 years from the Date of Manufacture (MO) marked on the container.



**PROPERTIES OF PENETROX™**

Property	Value PENETROX™ Definition	PENETROX™ HT	PENETROX™ E & A13	PENETROX™ A
Penetration (Unworked)	The value in accordance to ASTM D217 indicates the consistency of a grease. The higher the number, the softer the grease.	240	250	230
Dropping Point (Minimum)	The temperature at which the grease passes from the semi-solid to a liquid state under test conditions.	>580° F	350° F	230° F
Pour Point (Maximum)	The lowest temperature at which the compound will flow. Pour point is the lubricant's ability to perform in cold conditions.	-58° F	-40° F	-15° F

\* MSDS sheets available through customer service.

**ORDERING INFORMATION**

Catalog Number				Container Type	Container Size
PENETROX™ A	PENETROX™ A-13	PENETROX™ E	PENETROX™ HT †		
PENA 1/2	—	—	—	Tube	1/2 oz.
PENA-4	PENA13-4	PENE-4	PENHT-4	Squeeze Bottle	4 oz.
P8A	PENA13-8	PENE-8	PENHT-8	Squeeze Bottle	8 oz.
PENACARTRIDGE	PENA13CARTRIDGE	—	PENHT1LB	Cartridge	1 lb.*
PENA-QT	PENA13-QT	PENE-QT	—	Plastic Tub	1 Quart
PENA-GAL	PENA13-GAL	PENE-GAL	PENHTGAL	Can	1 Gallon
PENA-5GAL	PENA13-5GAL	PENE-5GAL	—	Pail	5 Gallons
PENA-55GAL	PENA13-55GAL	PENE-55GAL	—	Drum	55 Gallons

\* 1 lb. cartridge will fit standard caulking guns.

† Not UL Listed.



**B38-0305-00 Wire Brush**

## HARDWARE DATA

### RECOMMENDED TIGHTENING TORQUE

The hardware used in connectors must be compatible with the connector material, have high mechanical strength and be corrosion resistant and correspond to NEMA recommendations.

Copper alloy connectors have hardware made of DURIMUM™, which is BURNDY's trade name for silicon bronze alloy ASTMB99 type B. This material was first introduced by BURNDY® in 1927 for use in outdoor construction, and today, is the standard throughout the industry.

DURIMUM™ and Steel Hardware		Aluminum Hardware	
Bolt Size	Rec. Torque (Inch Pounds)	Bolt Size	Rec. Torque (Inch Pounds)
1/4 - 20	80	1/2 - 13	300
5/16 - 18	180	5/8 - 11	480
3/8 - 16	240	3/4 - 10	650
1/2 - 13	480		
5/8 - 11	660		
3/4 - 10	1,050		

Aluminum connectors generally have aluminum alloy hardware. The bolts are 2024T4 and anodized to resist corrosion. The nuts are 6061T6, which is resistant to corrosion and does not require anodizing. Both nuts and bolts are lubricated to eliminate galling and to provide consistent

clamping forces.

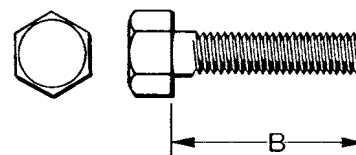
To reduce or greatly exceed the recommended torque can adversely affect the performance of the connector.

## DURIMUM™ BOLT

### SILICON BRONZE

BURNDY® introduced silicon-bronze bolts, nuts and other hardware items on outdoor connector applications in 1927. Today the DURIMUM™ trademark is a standard for this use. DURIMUM™ bolts combine high strength with corrosion resistance. Heads have American Standard

dimension and the threads are per American National Coarse Series, Class #2 fit. The silicon



bronze is per ASTM B99.

Catalog Number	Thread Size	B Length (Inches)
25x50HEBBOX	1/4-20	1/2
25x62HEBBOX	1/4-20	5/8
25x75HEBBOX	1/4-20	3/4
25x100HEBBOX	1/4-20	1
25x125HEBBOX	1/4-20	1-1/4
25x150HEBBOX	1/4-20	1-1/2
25x200HEBBOX	1/4-20	2
25x250HEBBOX	1/4-20	2-1/2
25x300HEBBOX	1/4-20	3
31x50HEBBOX	5/16-18	1/2
31x62HEBBOX	5/16-18	5/8
31x75HEBBOX	5/16-18	3/4
31x100HEBBOX	5/16-18	1
31x125HEBBOX	5/16-18	1-1/4
31x150HEBBOX	5/16-18	1-1/2
31x175HEBBOX	5/16-18	1-3/4
31x200HEBBOX	5/16-18	2
31x250HEBBOX	5/16-18	2-1/2
31x300HEBBOX	5/16-18	3
38x50HEBBOX	3/8-16	1/2
38x62HEBBOX	3/8-16	5/8
38x75HEBBOX	3/8-16	3/4
38x88HEBBOX	3/8-16	7/8
38x100HEBBOX	3/8-16	1

Catalog Number	Thread Size	B Length (Inches)
38x125HEBBOX	3/8-16	1-1/4
38x150HEBBOX	3/8-16	1-1/2
38x175HEBBOX	3/8-16	1-3/4
38x200HEBBOX	3/8-16	2
38x225HEBBOX	3/8-16	2-1/4
38x250HEBBOX	3/8-16	2-1/2
38x275HEBBOX	3/8-16	2-3/4
38x300HEBBOX	3/8-16	3
38x325HEBBOX	3/8-16	3-1/4
38x350HEBBOX	3/8-16	3-1/2
38x400HEBBOX	3/8-16	4
38x450HEBBOX	3/8-16	4-1/2
38x500HEBBOX	3/8-16	5
44x150HEBBOX	7/16-14	1-1/2
44x200HEBBOX	7/16-14	2
50x75HEBBOX	1/2-13	3/4
50x100HEBBOX	1/2-13	1
50x125HEBBOX	1/2-13	1-1/4
50x150HEBBOX	1/2-13	1-1/2
50x175HEBBOX	1/2-13	1-3/4
50x200HEBBOX	1/2-13	2
50x225HEBBOX	1/2-13	2-1/4
50x250HEBBOX	1/2-13	2-1/2
50x275HEBBOX	1/2-13	2-3/4

Catalog Number	Thread Size	B Length (Inches)
50x300HEBBOX	1/2-13	3
50x325HEBBOX	1/2-13	3-1/4
50x350HEBBOX	1/2-13	3-1/2
50x375HEBBOX	1/2-13	3-3/4
50x400HEBBOX	1/2-13	4
50x450HEBBOX	1/2-13	4-1/2
50x500HEBBOX	1/2-13	5
50x550HEBBOX	1/2-13	4-1/2
50x600HEBBOX	1/2-13	6
62x100HEBBOX	5/8-11	1
62x125HEBBOX	5/8-11	1-1/4
62x150HEBBOX	5/8-11	1-1/2
62x175HEBBOX	5/8-11	1-3/4
62x200HEBBOX	5/8-11	2
62x225HEBBOX	5/8-11	2-1/4
62x250HEBBOX	5/8-11	2-1/2
62x275HEBBOX	5/8-11	2-3/4
62x300HEBBOX	5/8-11	3
62x325HEBBOX	5/8-11	3-1/4
62x350HEBBOX	5/8-11	3-1/2
62x400HEBBOX	5/8-11	4
62x450HEBBOX	5/8-11	4-1/2
62x500HEBBOX	5/8-11	5
62x600HEBBOX	5/8-11	6



**DURIUM™ NUTS**

**SILICON BRONZE**

DURIUM™ hexagon regular nuts are non-magnetic and are made to American Standard dimensions. American National Coarse Series threads. #2 fit.

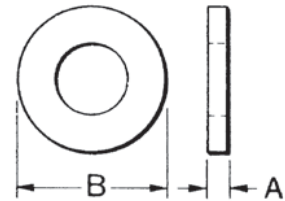


Catalog Number	Thread Size
25CHENBOX	1/4-20
31CHENBOX	5/16-18
38CHENBOX	3/8-16
44CHENBOX	7/16-14
50CHENBOX	1/2-13
62CHENBOX	5/8-11

**DURIUM™ FLATWASHERS**

**SILICON BRONZE**

High strength DURIUM™ Flat Washers are non-magnetic and free from galvanic action when in contact with copper. Conforms to SAE standards.



Catalog Number	For Bolt Size	Nominal Dimensions in Inches	
		A	B
25FWBOX	1/4	1/16	5/8
31FWBOX	5/16	1/16	11/16
38FWBOX	3/8	1/16	13/16
44FWBOX	7/16	1/16	15/16
50FWBOX	1/2	3/32	1-1/16
62FWBOX	5/8	3/32	1-5/16

**DURIUM™ SPLIT LOCKWASHERS**

**SILICON BRONZE**

DURIUM™ spring type lockwasher has high resiliency and exerts constant pressure on the face of the nut, preventing vibration from loosening the nut.



Catalog Number	For Bolt Size
25SWBOX	1/4
31SWBOX	5/16
38SWBOX	3/8
44SWBOX	7/16
50SWBOX	1/2
62SWBOX	5/8

**DURIUM™ INTERNAL TOOTH LOCKWASHERS**

**SILICON BRONZE**

DURIUM™ Internal Tooth Lockwashers are available as illustrated. The teeth are twisted slightly and present biting edges which grip the nut and the part being clamped, preventing the nut from backing off.

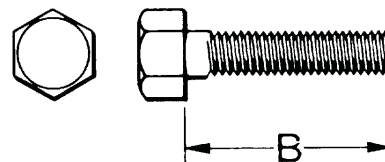


Catalog Number	For Bolt Size
25NWBOX	1/4
31NWBOX	5/16
38NWBOX	3/8
44NWBOX	7/16
50NWBOX	1/2
62NWBOX	5/8

ALUMINUM HARDWARE

BOLTS

BURNDY® aluminum hexagon head bolts are manufactured of alloy 2024-T4 and are finished with anodic coating and lubricated. Threads are coarse series, class 2A fit.



Catalog Number	Thread Size	B Length (Inches)
50x150HABBOX	1/2-13	1-1/2
50x175HABBOX	1/2-13	1-3/4
50x200HABBOX	1/2-13	2
50x225HABBOX	1/2-13	2-1/4
50x250HABBOX	1/2-13	2-1/2
50x275HABBOX	1/2-13	2-3/4
50x300HABBOX	1/2-13	3
50x325HABBOX	1/2-13	3-1/4
50x350HABBOX	1/2-13	3-1/2
50x375HABBOX	1/2-13	3-3/4
50x400HABBOX	1/2-13	4
50x425HABBOX	1/2-13	4-1/4
50x450HABBOX	1/2-13	4-1/2

Catalog Number	Thread Size	B Length (Inches)
50x500HABBOX	1/2-13	5
50x550HABBOX	1/2-13	5-1/2
62x175HABBOX	5/8-11	1-3/4
62x200HABBOX	5/8-11	2
62x225HABBOX	5/8-11	2-1/4
62x250HABBOX	5/8-11	2-1/2
62x300HABBOX	5/8-11	3
62x350HABBOX	5/8-11	3-1/2
62x400HABBOX	5/8-11	4
62x450HABBOX	5/8-11	4-1/2
62x500HABBOX	5/8-11	5
62x550HABBOX	5/8-11	5-1/2
62x600HABBOX	5/8-11	6

NUTS

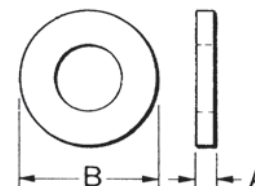
BURNDY® aluminum nuts are manufactured of alloy 6061-T6, are finished type, coarse thread, class 2B fit.



Catalog Number	Thread Size
50HANBOX	1/2-13
62HANBOX	5/8-11

FLAT WASHERS

BURNDY® aluminum flat washers are manufactured of alloy 2024-T4 and are medium design.



Catalog Number	Description	For Bolt Size
50FWABOX	Flat Washer	1/2
62FWABOX	Flat Washer	5/8

SPLIT LOCKWASHERS

BURNDY® aluminum split lockwashers are manufactured of alloy 7075-T6 and are regular design.



Catalog Number	Description	For Bolt Size
50SWALBOX	Split Washer	1/2
62SWALBOX	Split Washer	5/8

**GALVANIZED  
STEEL HARDWARE**

Galvanized bolts, nuts, flatwashers, and internal tooth lockwashers are manufactured per ASTM307 Grade A. Nut surfaces and bolt heads have American Standard dimensions, and the

threads are per American National Coarse Series, Class #2 fit. Galvanizing is per ASTM A153.

**BOLTS**



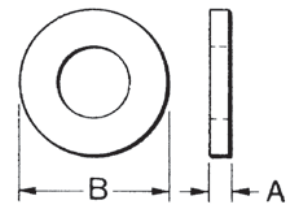
Catalog Number	Thread Size	Length (B)
38x125HGSB	3/8-16	1.25
38x275HGSB	3/8-16	2.75
38x225HGSB	3/8-16	2.25
50x100HGSB	1/2-13	1.00
50x150HGSB	1/2-13	1.50
50x200HGSB	1/2-13	2.00
62X100HGSB	5/8-11	1.00
62x175HGSB	5/8-11	1.75
75X125HGSB	3/4-11	1.25

**NUTS**



Catalog Number	Thread Size
31CHGSN	5/16-18
38HGSN009	3/8-16
38HGSN	3/8-16
50HGSN	1/2-13
62HGSN	5/8-11

**FLATWASHERS**



Catalog Number	For Bolt Size	Nominal Dimensions (Inches)	
		I.D.A	O.D.B
38x81FWGS	3/8	0.41	0.81
50x106FWGS	1/2	0.53	1.06

**INTERNAL TOOTH  
LOCKWASHERS**



Catalog Number	Bolt Size
38NWGS	3/8
50NWGS	1/2
62NWGS	5/8
75NWGS	3/4

**STAINLESS STEEL  
HARDWARE**

Stainless steel bolts, nuts, flatwashers and split lockwashers are manufactured from 18-8 non-magnetic material. Nut surfaces and bolt heads have American National Coarse Series, Class #2 fit.

**BOLTS**



Catalog Number	Thread Size	Length B
38X125HSSB	3/8-16	1-1/4
38x225HSSB	3/8-16	2-1/4
38x250HSSB	3/8-16	2-1/2
38x275HSSB	3/8-16	2-3/4
50x200HSSB	1/2-13	2
50x250HSSB	1/2-13	2-1/2
50x300HSSB	1/2-13	3
62x300HSSB	5/8-11	3

**NUTS**



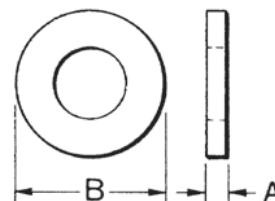
Catalog Number	Thread Size
25HSSN	1/4-20
38HSSN	3/8-16
50HSSN	1/2-13
62HSSN	5/8-11

**SPLIT LOCKWASHERS**



Catalog Number	For Bolt Size
25SWSSLT	1/4
38SWSSMD	3/8
50SWSSMD	1/2
62SWSSMD	5/8

**FLATWASHERS**

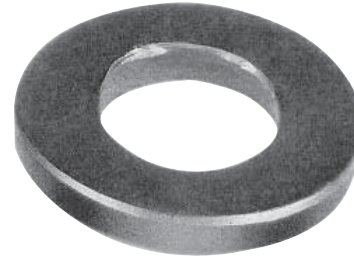


Catalog Number	For Bolt Size	Nominal Dimensions (Inches)	
		I.D.A	O.D.B
25FWSS	1/4	0.27	0.69
38FWSS	3/8	0.41	1.00
50FWSS	1/2	0.59	1.13
62FWSS	5/8	0.66	1.31

**STAINLESS STEEL  
HARDWARE**

**BELLEVILLE WASHERS**

Any bolted “pad to flat” electrical connection should include a bolt, two flatwashers, and the nut. In addition, if any of the flat components is aluminum, a properly designed Belleville washer should be interposed between one of the flatwashers and either the bolt head or the nut, with the hollow of the Belleville washer placed against the flat washer. BURNDY® Belleville washers are designed to maintain substantial force when tightened to NEMA-recommended values and finely finished to avoid galling.

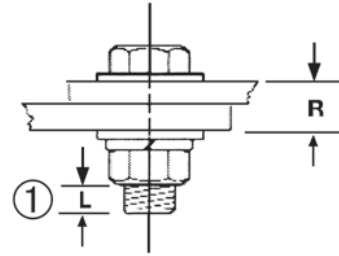


Catalog Number	Material	Bolt Size	Nominal Dimensions		
			Thickness	I.D.	O.D.
38x75BWSS	Steel - Stainless	3/8	0.06	0.39	0.75
50x106BWSS	Steel - Stainless	1/2	0.10	0.53	1.06

TYPE TMH

DURIUM™ SILICON BRONZE HARDWARE KITS

Type TMH are DURIUM™ silicon bronze hardware kits. The kits can be ordered for specific applications ensuring the proper type and amount of hardware for each installation. Packaged in separate sealed bags, they are convenient to use, eliminating mismatched quantities. DURIUM™ silicon bronze material provides long lasting corrosion resistance Grade 2.



Catalog Number	Size	Each TMH Kit Includes:					Working Range (R)	Installation Torque (In-lbs)
		Bolt		Flat Washer	Split Washer	Hex Nut		
		Length	Qty					
TMH262	1/4-20	0.75	2	4	2	2	0.09 - 0.34	80
TMH263		1.00	2	4	2	2	0.34 - 0.59	
TMH264		1.25	2	4	2	2	0.59 - 0.84	
TMH265		1.50	2	4	2	2	0.84 - 1.09	
TMH266	3/8-16	0.75	2	4	2	2	0.00 - 0.19	240
TMH267		1.00	2	4	2	2	0.19 - 0.44	
TMH268		1.25	2	4	2	2	0.44 - 0.69	
TMH269		1.50	2	4	2	2	0.69 - 0.94	
TMH270		1.75	2	4	2	2	0.94 - 1.19	
TMH271		2.00	2	4	2	2	1.19 - 1.44	
TMH332 ②		2.75	2	4	2	2	-	
TMH261 †		3.00	2	4	2	2	2.15 - 2.40	
TMH289 ††		1.25	1	2	1	1	0.02 - 0.27	
TMH295		1/2-13	1.25	2	4	2	2	
TMH272	1.50		2	4	2	2	0.49 - 0.74	
TMH294	1.75		2	4	2	2	0.74 - 0.99	
TMH69	2.00		2	4	2	2	0.99 - 1.24	

† For use with CUSA750-2TC38 copper spacer adaptor, (2) terminals and "™" thick equipment bus bar. For other combinations contact BURNDY®.  
 †† For use with all GAR-TC connectors. "R" dimension is allowable pad thickness of terminal  
 \* For other combinations contact BURNDY®.  
 ① "L" dimension never exceeds 0.25"  
 ② For use with CUSA442TC38 on 1/4" bus bar and HYLUG™ 4/0 - 750 kcmil.

TYPE TMH-SS

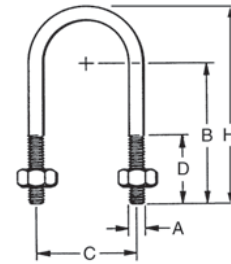
STAINLESS STEEL HARDWARE KITS

Type TMH-SS are stainless steel hardware kits. Just like the standard TMH kits, these kits can be ordered for specific applications ensuring the proper type and amount of hardware for each installation. They are packaged in separate sealed bags and convenient for use and ordering.

Catalog Number	Size	Each TMH Kit Includes:					Working Range (R)	Installation Torque (In-lbs)
		Bolt		Flat Washer	Split Washer	Hex Nut		
		Length	Qty					
TMH322SS	10-32	0.88	1	0	1	1	-	45
TMH262SS	1/4-20	0.75	2	4	2	2	0.09 - 0.34	80
TMH263SS		1.00	2	4	2	2	0.34 - 0.59	
TMH264SS		1.25	2	4	2	2	0.59 - 0.84	
TMH265SS		1.50	2	4	2	2	0.84 - 1.09	
TMH267SS	3/8-16	1.00	2	4	2	2	0.19 - 0.44	240
TMH268SS		1.25	2	4	2	2	0.44 - 0.69	
TMH269SS		1.50	2	4	2	2	0.69 - 0.94	
TMH270SS		1.75	2	4	2	2	0.94 - 1.19	
TMH271SS		2.00	2	4	2	2	1.19 - 1.44	
TMH261SS †		3.00	2	4	2	2	2.15 - 2.40	
TMH295SS	1/2-13	1.25	2	4	2	2	0.27 - 0.49	480
TMH272SS		1.50	2	4	2	2	0.49 - 0.74	
TMH294SS		1.75	2	4	2	2	0.74 - 0.99	
TMH69SS		2.00	2	4	2	2	0.99 - 1.24	

**TYPE UB**

**DURIUM™  
SILICON BRONZE U-BOLTS**



DURIUM™ U-BOLTS are specifically designed for electrical connections to pipe and rod. The U-BOLTS are threaded on the straight portion of the legs only allowing for more contact surface on the pipe or rod. American National Coarse Threads Class #2 fit. The silicon bronze is per ASTM B99.

Catalog Number	Thread Size	H	C	D	B
UB101	1/4-20	1.38	0.75	0.75	0.88
UB104	1/4-20	1.81	1.12	0.88	1.12
UB105	1/4-20	2.03	1.31	1.00	1.25
UB106	1/4-20	2.31	1.62	1.12	1.38
UB107	1/4-20	2.66	1.94	1.31	1.56
UB336	3/8-16	1.50	0.88	0.62	0.88
UB178	3/8-16	2.00	0.88	0.75	1.38
UB354	3/8-16	2.44	1.25	1.00	1.62
UB187	3/8-16	2.47	1.16	1.06	1.69
UB271	3/8-16	2.50	1.00	1.19	1.81
UB222	3/8-16	2.69	1.50	1.12	1.75
UB242	3/8-16	2.72	1.16	1.31	1.94
UB383	3/8-16	2.75	0.94	1.47	2.09
UB269	3/8-16	2.78	1.19	1.38	2.00
UB357	3/8-16	2.78	1.69	1.12	1.75
UB384	3/8-16	2.91	1.44	1.38	2.00
UB249	3/8-16	3.00	1.50	1.44	2.06
UB1031	3/8-16	3.31	1.75	1.90	2.25
UB244	3/8-16	3.31	1.75	1.62	2.25
UB199	3/8-16	3.41	2.34	1.44	2.05
UB204	3/8-16	3.47	2.06	1.62	2.25
UB124	3/8-16	3.50	2.75	1.31	1.94
UB268	3/8-16	3.97	2.34	2.00	2.62
UB257	3/8-16	4.16	2.81	1.94	2.56
UB1032	3/8-16	4.41	2.81	2.56	2.81
UB310	3/8-16	4.41	2.81	2.19	2.81
UB266	3/8-16	4.97	3.31	2.50	3.12
UB267	3/8-16	5.53	3.94	2.75	3.38
UB258	3/8-16	5.56	4.00	2.75	3.38
UB264	3/8-16	6.16	4.44	3.12	3.75
UB1033	3/8-16	6.16	4.44	3.50	3.75
UB261	3/8-16	6.34	4.94	3.06	3.69
UB422	3/8-16	7.69	6.00	3.88	4.50
UB1027	3/8-16	8.12	7.12	2.88	4.38
UB1028	3/8-16	9.62	9.12	2.88	4.88
UB1029	3/8-16	11.20	11.25	2.88	5.38

Catalog Number	Thread Size	H	C	D	B
UB1030	3/8-16	12.70	13.25	2.88	5.88
UB224	1/2-13	2.44	1.12	0.88	1.62
UB358	1/2-13	2.66	1.31	1.00	1.75
UB291	1/2-13	2.81	1.19	1.19	1.97
UB293	1/2-13	2.81	1.75	1.75	1.69
UB464	1/2-13	3.12	1.81	1.81	1.96
UB540	1/2-13	3.19	1.38	1.38	2.25
UB254	1/2-13	3.41	1.31	1.31	2.50
UB328	1/2-13	3.41	2.94	2.94	1.69
UB400	1/2-13	4.03	1.31	1.31	3.12
UB230	1/2-13	4.34	2.94	2.94	2.62
UB311	1/2-13	4.44	1.88	1.88	3.25
UB302	1/2-13	4.62	2.47	2.47	3.12
UB232	1/2-13	4.97	3.44	3.44	3.00
UB260	1/2-13	5.34	2.94	2.94	3.62
UB390	1/2-13	5.38	2.50	2.50	3.88
UB263	1/2-13	5.78	4.56	4.56	3.25
UB282	1/2-13	6.31	4.12	4.12	4.00
UB236	1/2-13	6.41	5.06	5.06	3.62
UB399	1/2-13	6.66	1.31	1.31	5.75
UB436	1/2-13	6.66	4.56	4.56	4.12
UB262	1/2-13	6.78	5.06	5.06	4.00
UB392	1/2-13	7.06	1.62	1.62	6.00
UB416	1/2-13	7.53	5.06	5.06	4.75
UB300	1/2-13	7.62	6.12	6.12	4.31
UB306	1/2-13	7.88	6.12	6.12	4.56
UB275	1/2-13	8.16	7.19	3.54	4.31
UB437	1/2-13	8.56	6.12	6.12	5.25
UB294	5/8-11	3.50	1.38	1.38	2.50
UB314	5/8-11	3.66	2.09	2.09	2.31
UB425	5/8-11	3.72	2.31	2.31	2.25
UB317	5/8-11	4.97	1.81	1.81	3.75
UB315	5/8-11	5.56	2.09	2.09	4.19
UB318	3/4-10	4.22	2.44	2.44	2.62
UB344	3/4-10	4.72	1.94	1.94	3.38
UB319	3/4-10	6.34	2.44	2.44	4.75

# Specifications for BURNDY® HYGROUND® Connector System

## Ground Connectors

### 1.0 Scope

- 1.1 This specification establishes the material, design, marking and performance requirements of compression grounding connectors used to make permanent ground connections for direct burial, embedment in concrete, or for above grade applications.
- 1.2 The specification also provides the requirements for mechanical connectors intended for bonding applications within the grounding network.

### 2.0 Materials

- 2.1 All ground connections shall be made using BURNDY® HYGROUND® compression ground connectors.
- 2.2 Compression ground connectors shall be manufactured from pure wrought copper in compliance with ASTM B187.
- 2.3 Mechanical cast connectors are allowed for bonding applications and shall be manufactured from a copper alloy of minimum 80% copper, according to ASTM B30.

### 3.0 Design

- 3.1 All ground connectors must be designed for fault-duty loading, and must have the fault capacity of the maximum sized conductor for which it is designed.
- 3.2 Pad terminals and in-line splices may accommodate only one conductor size. All other ground connectors must be range taking.
- 3.3 Structural steel and bus bar ground connectors may accommodate only one rigid member conductor.
- 3.4 All ground connectors must be provided with a corrosion-inhibiting compound preapplied to the contact surfaces. The compound must be compatible with the conductors accommodated by the connector.
- 3.5 All ground connectors must be capable of being provided with tin plating, if required by agency jurisdiction or by the application.
- 3.6 All mechanical bonding connectors must be designed to withstand 150% of the recommended installation torque.

### 4.0 Marking

- 4.1 All connectors must be clearly and permanently marked with the following information:
  - 4.1.1 Manufacturer's inspection symbol
  - 4.1.2 Catalog number
  - 4.1.3 Conductor accommodation(s)
  - 4.1.4 Installation die index or die catalog number (compression)
  - 4.1.5 Underwriters Laboratories Listing Mark/CSA Certification Mark

4.1.6 The words "Suitable for Direct Burial", or "Direct Burial", or "Burial" as specified per ANSI/UL467

- 4.2 The smallest unit package shall contain the information listed under 4.1, and shall also include installation tooling.

### 5.0 Grounding Connector Installation

- 5.1 Installation of connectors shall be made in accordance with the manufacturer's recommendations. The instructions typically include conductor preparation (cleaning, pre-crimp), installation tool and die selection, and application of the proper number of crimps.
- 5.2 Connectors must be installable under all types of weather/field conditions without special safety precautions or procedures.
- 5.3 Connectors must be installable without using or producing hazardous materials or byproducts.

### 6.0 Ground Connector Inspection

- 6.1 Compression dies must provide embossment of the connector upon successful installation. The embossed index must match the marking on the installed connector.
- 6.2 Connector marking information specified in 4.1 must be legible after installation for inspector cross-reference.
- 6.3 Closed barrel connectors may have inspection holes at the appropriate location to verify proper cable insertion.

### 7.0 Performance

- 7.1 All system connectors must be Listed by Underwriters Laboratories/Canadian Standards Association for both direct burial in earth or embedment in concrete per ANSI/UL467 Standard for Grounding and Bonding Equipment/CSA C22.2 No. 41.
- 7.2 All ground connectors must meet the requirements of IEEE Standard 837 Standard for Qualifying Permanent Connections Used in Substation Grounding.
- 7.3 Connectors must be suitable for lightning protection applications. Listing to UL96 Lightning Protection Components is preferred on applicable items.



**HARDWARE DATA**

**Recommended Tightening Torque**

The hardware used in connectors must be compatible with the connector material, have high mechanical strength and be corrosion resistant.

Copper alloy connectors have hardware made of DURIMUM™, which is the BURNDY trade name for silicon bronze alloy ASTMB99. This material was first introduced by BURNDY in 1927 for use in outdoor construction and today is the standard throughout the industry.

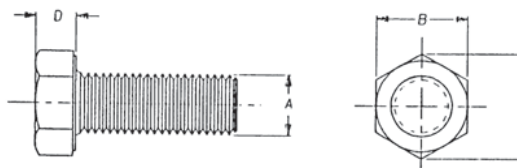
Aluminum connectors generally have aluminum alloy hardware. The bolts are 2024T4 and anodized to resist corrosion. The nuts are 6061T6, which is resistant to corrosion and does not require anodizing. Bolts are lubricated to eliminate galling and to provide consistent clamping forces.

The size material for clamping hardware are selected to provide the required force when tightened to the recommended torque. To reduce or greatly exceed the recommended torque can adversely affect the performance of the connector.

Steel Hardware	
Bolt Size	Recommended Torque (Inch Pounds)
1/4 - 20	80
5/16 - 18	180
3/8 - 16	240
1/2 - 13	480
5/8 - 11	660
3/4 - 10	1050

Aluminum Hardware	
Bolt Size	Recommended Torque (Inch Pounds)
1/2 - 13	300
5/8 - 11	480
3/4 - 10	650

**DURIMUM™ (Silicon Bronze)  
Hexagonal Bolt Data**



DURIMUM™ (Silicon Bronze) Hardware							
Catalog Number Series*	"A" Bolt Size	"B"	"C"	"D"	Recommended Torque (in-lb)**	Min. Breaking Force (lb)	Min. Shearing Force (lb)
25X__HEB	1/4 - 20	7/16	.50	.16	80	1,780	990
31X__HEB	5/16 - 18	1/2	.56	.21	180	2,930	1,640
38X__HEB	3/8 - 16	9/16	.65	.24	240	4,350	2,430
50X__HEB	1/2 - 13	3/4	.87	.32	480	7,950	4,460
62X__HEB	5/8 - 11	15/16	1.08	.40	660	12,700	7,100
75X__HEB	3/4 - 10	1-1/8	1.30	.48	1050	17,510	10,540

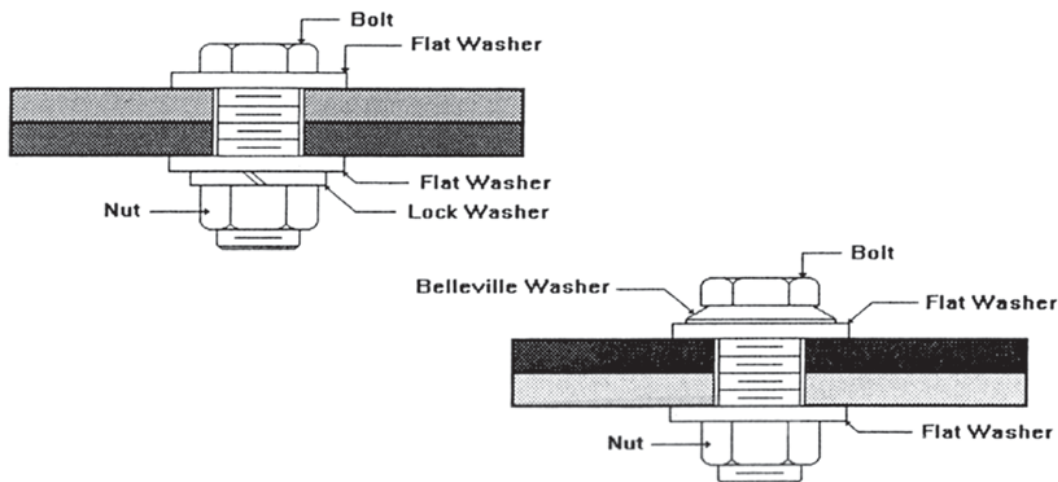
\* \_\_ is substituted for bolt length; Consult sales representative for available lengths

\*\*These torque values develop maximum bolt preload

This drawing is based on BURNDY engineering specification

HARDWARE DATA (continued)

Recommended Termination Hardware



Recommended Tightening Torque per UL 486A and UL486B

Table 21 - Tightening torque for screws

Conductor Size Installed in Connector		Tightening Torque, N•m (lbf-in)			
		Slotted Head No. 10 and Larger*		Hexagonal Head - External Drive Socket Wrench	
		Slot Width - 1.2mm (.047 in) or Less and Slot Length - 6.4mm (1/4 in.) or less	Slot Width - Over 1.2mm (.047 in) or Slot Length - Over 6.4mm (1/4 in.)	Split-Bolt Connectors	Other Connectors
AWG or kcmil	mm <sup>2</sup>				
30 - 10	.05 - 5.3	2.3 (20)	4.0 (35)	9.0 (80)	8.5 (75)
8	8.4	2.8 (25)	4.5 (40)	9.0 (80)	8.5 (75)
6 - 4	13.2 - 21.2	4.0 (35)	5.1 (45)	18.6 (165)	12.4 (110)
3	26.7	4.0 (35)	5.6 (50)	31.1 (275)	16.9 (150)
2	33.6	4.5 (40)	5.6 (50)	31.1 (275)	16.9 (150)
1	42.4	-	5.6 (50)	31.1 (275)	16.9 (150)
1/0 - 2/0	53.5 - 67.4	-	5.6 (50)	43.5 (385)	20.3 (180)
3/0 - 4/0	85.0 - 107.2	-	5.6 (50)	56.5 (500)	28.2 (250)
250 - 350	127 - 177	-	5.6 (50)	73.4 (650)	36.7 (325)
400	203	-	5.6 (50)	93.2 (825)	36.7 (325)
500	253	-	5.6 (50)	93.2 (825)	42.4 (375)
600 - 750	304 - 380	-	5.6 (50)	113.0 (1000)	42.4 (375)
800 - 1000	406 - 508	-	5.6 (50)	124.3 (1100)	56.5 (500)
1250 - 2000	635 - 1000	-	-	124.3 (1100)	67.8 (600)

\* For values of slot width or length not corresponding to those specified, select the largest torque value associated with the conductor size. Slot width is the nominal design value. Slot length shall be measured at the bottom of the slot.

**HARDWARE DATA (continued)**

**Recommended Tightening Torque per UL486A & UL486B**

**Table 22 - Tightening torque for slotted head screws smaller than No. 10 intended for use with 8 AWG (8.4 mm<sup>2</sup>) or smaller conductors**

Slot Length of Screw*		Tightening Torque, N•m (lbf-in)	
		Slot Width of Screw Smaller than 1.2 mm (.047 in.) <sup>b</sup>	Slot Width of Screw 1.2mm (.047 in.) and larger**
mm	inch		
Less than 4	Less than 5/32	0.79 (7)	1.0 (9)
4	5/32	0.79 (7)	1.4 (12)
4.8	3/16	0.79 (7)	1.4 (12)
5.6	7/32	0.79 (7)	1.4 (12)
6.4	1/4	1.0 (9)	1.4 (12)
7.1	9/32	-	1.7 (15)
Above 7.1	Above 9/32	-	2.3 (20)

\* For slot lengths of intermediate values, select torques pertaining to next shorter slot length.  
 Also see Table 21 for screws with multiple tightening means.  
 Slot length shall be measured at the bottom of the slot.  
 \*\* Slot width is the nominal design value

**Recommended Tightening Torque per UL486A & UL486B**

**Table 23 - Tightening torque for screws with recessed allen or square drives**

Socket Width Across Flats*		Tightening Torque, N•m (lbf-in)
mm	inch	
3.2	1/8	5.1 (45)
4.0	5/32	11.3 (100)
4.8	3/16	13.6 (120)
5.6	7/32	16.9 (150)
6.4	1/4	25.4 (225)
7.9	5/16	33.9 (300)
9.5	3/8	45.2 (400)
12.7	1/2	56.6 (500)
14.3	9/16	67.8 (600)

\* See Table 21 for screws with multiple tightening means

**HARDWARE DATA (continued)**

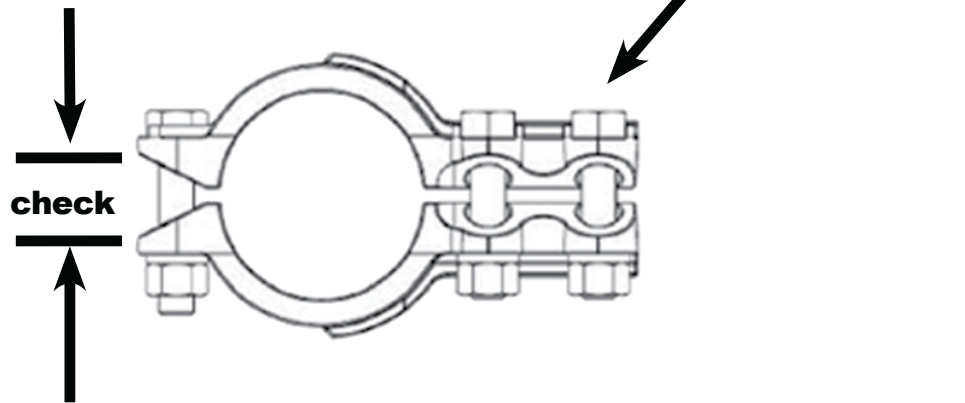
**Recommended Clamping on Bolted Connectors:**

When installing a bolted connector, an appropriate sequence needs to be followed.

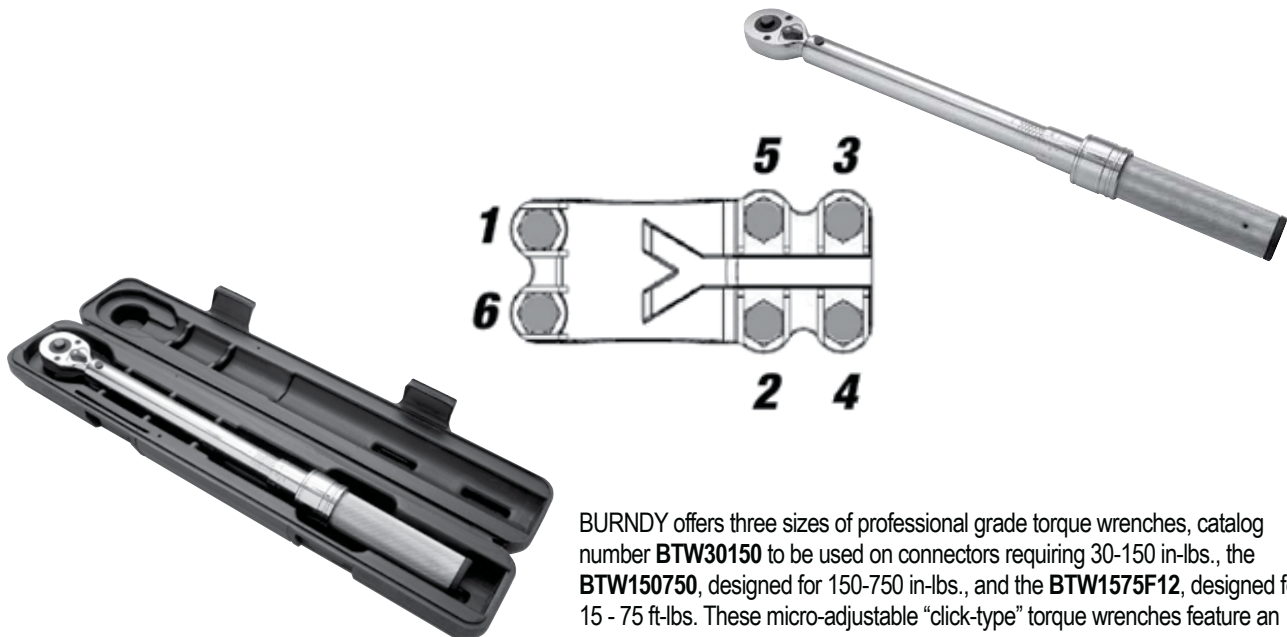
**INSTALLATION INSTRUCTIONS:**

1. Nuts need to be tightened up to 30% of expected torque.
2. A check needs to be done to ensure the clamping elements are even.

**Even clamping elements**



3. Tightening has to follow a sequence (1-6) as shown below. As a general rule, the torque has to be applied to the nut. For ease of installation most connectors are designed for one wrench installation. A torque wrench is recommended when tightening the nut to ensure the proper torque is applied.



BURNDY offers three sizes of professional grade torque wrenches, catalog number **BTW30150** to be used on connectors requiring 30-150 in-lbs., the **BTW150750**, designed for 150-750 in-lbs., and the **BTW1575F12**, designed for 15 - 75 ft-lbs. These micro-adjustable "click-type" torque wrenches feature an easy-to-read scale that can be easily matched to the recommended torque of each of our mechanical connector products. Calibration traceable to N.I.S.T.

**CABLE DATA**

**COPPER TUBE (BUS)**

Size of Tube IPS	Diameter of Tube (Inches)		Wall Thickness (Inches)
	Outside	Inside	
<b>STANDARD PIPE SIZES</b>			
1/4"	0.540	0.375	0.082
3/8"	0.675	0.494	0.090
1/2"	0.840	0.625	0.107
3/4"	1.050	0.822	0.114
1"	1.315	1.062	0.126
1-1/4"	1.660	1.368	0.146
1-1/2"	1.900	1.600	0.150
2"	2.375	2.062	0.156
2-1/2"	2.875	2.500	0.187
3"	3.500	3.062	0.219
3-1/2"	4.000	3.500	0.250
4"	4.500	4.000	0.250
4-1/2"	5.000	4.500	0.250
5"	5.563	5.063	0.250
6"	6.625	6.125	0.250
<b>EXTRA HEAVY PIPE SIZES</b>			
1/4"	0.540	0.294	0.123
3/8"	0.675	0.421	0.127
1/2"	0.840	0.542	0.149
3/4"	1.050	0.736	0.157
1"	1.315	0.951	0.182
1-1/4"	1.660	1.272	0.194
1-1/2"	1.900	1.494	0.203
2"	2.375	1.933	0.221
2-1/2"	2.875	2.315	0.280
3"	3.500	2.892	0.304
3-1/2"	4.000	3.358	0.321
4"	4.500	3.818	0.341
4-1/2"	5.000	4.250	0.375
5"	5.563	4.813	0.375
6"	6.625	5.751	0.437

Size of Tube IPS	Diameter of Tube (Inches)		Wall Thickness (Inches)
	Outside	Inside	
<b>DOUBLE EXTRA HEAVY PIPE SIZES</b>			
1/2"	0.840	0.252	0.294
3/4"	1.050	0.434	0.308
1"	1.315	0.599	0.358
1-1/4"	1.660	0.896	0.382
1-1/2"	1.900	1.100	0.400
2"	2.375	1.503	0.436
2-1/2"	2.875	1.771	0.552
3"	3.500	2.300	0.600
3-1/2"	4.000	2.728	0.636
4"	4.500	3.152	0.674
4-1/2"	5.000	3.580	0.710
5"	5.563	4.063	0.750
6"	6.625	4.897	0.864

Tube dimensions (excepting wall thickness of double extra heavy) taken from A.S.T.M. Specification B42-33.  
 Tubular values based on a density of 0.322 pound per cubic inch.  
 \* Conductivity of 98% I.A.C.S. at 20° C or 68° F

---

**CABLE DATA (continued)**
**SOLID COPPER WIRE (ASTM B1, B2, & B3)**

Size AWG (Solid)	Wire Dia (Inch)	Hard Drawn	Medium Drawn	Soft Drawn
		Normal Breaking Load (Pounds)	Minimum Breaking Load (Pounds)	Elongation in 10 in. % Min.
18	.040	85.8	67.6	25
17	.045	107.5	84.7	25
16	.050	135.2	106.2	25
15	.057	170.0	133.0	25
14	.064	213.8	166.6	25
13	.071	268.2	208.0	25
12	.080	337.0	261.6	25
11	.090	422.5	327.6	25
10	.101	529.2	410.4	25
9	.114	661.0	514.2	30
8	.128	826.0	643.9	30
7	.144	1,030.0	806.6	30
6	.162	1,280.0	1,010.0	30
5	.181	1,591.0	1,265.0	30
4	.204	1,970.0	1,584.0	30
3	.229	2,439.0	1,984.0	30
2	.257	3,003.0	2,450.0	30
1	.289	3,688.0	3,024.0	30
1/0	.324	4,519.0	3,730.0	35
2/0	.364	5,518.0	4,599.0	35
3/0	.409	6,722.0	5,667.0	35
4/0	.460	8,143.0	6,980.0	35

**CABLE DATA (continued)**

**STRANDED COPPER WIRE (ASTM B8 EXCLUDING BREAKING LOADS)**

Size		A.S.T.M. Strandings			Hard Drawn	Medium Drawn	Soft Drawn
Stranded		Class	No. of Wires	Cable Diameter (Inches)	Minimum Breaking Load (Pounds)		
Circular Mils	AWG						
1,022	20	B	7	0.036	50.0	40.67	32.1
1,624	18	B	7	0.045	79.0	63.91	51.0
2,583	16	B	7	0.057	124.7	100.4	81.1
4,107	14	B	7	0.072	197.1	157.7	124.2
6,530	12	B	7	0.091	311.1	247.7	197.5
10,380	10	B	7	0.116	491.7	388.9	314.0
13,090	9	B	7	0.130	618.2	487.4	395.9
16,510	8	B	7	0.146	777.2	610.7	499.2
20,820	7	B	7	0.164	977.1	765.2	629.5
26,250	6	B	7	0.184	1,288.0	958.6	793.8
33,100	5	B	7	0.206	1,542.0	1,201.0	1,001.0
41,740	4	AA	3	0.254	1,879.0	1,465.0	1,213.0
41,740	4	B&A	7	0.232	1,938.0	1,505.0	1,262.0
52,630	3	AA	3	0.285	2,359.0	1,835.0	1,530.0
52,630	3	B&A	7	0.260	2,433.0	1,885.0	1,592.0
66,370	2	AA	3	0.320	2,913.0	2,299.0	1,929.0
66,370	2	B&A	7	0.292	3,045.0	2,361.0	2,007.0
83,690	1	AA	3	0.360	3,621.0	2,879.0	2,432.0
83,690	1	A	7	0.328	3,804.0	2,958.0	2,432.0
83,690	1	B	19	0.332	3,899.0	3,037.0	2,531.0
105,500	1/0	A&A	7	0.368	4,752.0	3,705.0	3,067.0
105,500	1/0	-	12	0.390	4,841.0	3,755.0	3,191.0
105,500	1/0	B	19	0.373	4,901.0	3,805.0	3,191.0
133,100	2/0	A&A	7	0.414	5,926.0	4,640.0	3,867.0
133,100	2/0	-	12	0.438	6,048.0	4,703.0	3,867.0
133,100	2/0	B	19	0.419	6,152.0	4,765.0	4,024.0
167,800	3/0	A&A	7	0.464	7,366.0	5,812.0	4,876.0
167,800	3/0	-	12	0.492	7,556.0	5,890.0	4,876.0
167,800	3/0	B	19	0.470	7,698.0	5,970.0	5,074.0
211,600	4/0	A&A	7	0.522	9,154.0	7,278.0	6,149.0
211,600	4/0	-	12	0.522	9,483.0	7,378.0	6,149.0
211,600	4/0	B	19	0.528	9,617.0	7,479.0	6,149.0

## CABLE DATA (continued)

## STRANDED COPPER WIRE (ASTM B8 EXCLUDING BREAKING LOADS continued)

Size	A.S.T.M. Strandings			Hard Drawn	Medium Drawn	Soft Drawn
Circular Mils	Class	No. of Wires	Cable Diameter (Inches)	Minimum Breaking Load (Pounds)		
250 kcmil	AA	12	0.600	11,130	8,717	7,265
250 kcmil	A	19	0.574	11,360	8,986	7,265
250 kcmil	B	37	0.575	11,560	8,952	7,559
300 kcmil	AA	12	0.657	13,170	10,390	8,718
300 kcmil	A	19	0.628	13,510	10,530	8,718
300 kcmil	B	37	0.630	13,870	10,740	9,071
350 kcmil	AA	12	0.710	15,140	12,040	10,170
350 kcmil	A	19	0.679	15,590	12,200	10,170
350 kcmil	B	37	0.681	16,060	12,450	10,580
400 kcmil	A&AA	19	0.726	17,810	13,950	11,620
400 kcmil	B	37	0.728	18,320	14,140	11,620
450 kcmil	AA	19	0.770	19,750	15,590	13,080
450 kcmil	B&A	37	0.772	20,450	15,900	13,080
500 kcmil	AA	19	0.811	21,950	17,320	14,530
500 kcmil	B&A	37	0.813	22,510	17,550	14,530
600 kcmil	A&AA	37	0.891	27,020	21,060	17,440
600 kcmil	B	61	0.893	27,530	21,350	18,140
700 kcmil	AA	37	0.963	31,170	24,410	20,340
700 kcmil	B&A	61	0.964	31,820	24,740	20,340
750 kcmil	AA	37	0.997	33,400	26,150	21,790
750 kcmil	B&A	61	0.998	34,090	26,510	21,790
800 kcmil	AA	37	1.029	35,120	27,710	23,250
800 kcmil	B&A	61	1.031	36,360	28,270	23,250
900 kcmil	AA	37	1.092	39,510	31,170	26,150
900 kcmil	B&A	61	1.094	40,520	31,590	26,150
1000 kcmil	AA	37	1.151	43,830	34,400	29,060
1000 kcmil	B&A	61	1.152	45,030	35,100	29,060
1250 kcmil	A	61	1.288	55,670	43,590	36,320
1250 kcmil	B	91	1.289	56,280	43,880	36,320
1500 kcmil	A	61	1.411	65,840	51,950	43,590
1500 kcmil	B	91	1.412	67,540	52,650	43,590
1750 kcmil	A	91	1.526	77,930	61,020	50,850
1750 kcmil	B	127	1.526	78,800	61,430	50,850
2000 kcmil	A	91	1.630	87,790	69,270	58,120
2000 kcmil	B	127	1.632	90,050	70,210	58,120



**CABLE DATA (continued)**

**SOLID COPPERWELD CABLE (ASTM B227)**

Conductor Size (AWG)	Nominal Diameter (inches)	Circular Mils	Minimum Breaking Load (pounds)			
			Grade 40 HS	Grade 40 EHS	Grade 30 HS	Grade 30 EHS
4	0.2043	41740	3540	-	3934	4671
5	0.1819	33090	2937	-	3249	3911
-	0.1650*	27230	2779	-	2779	3367
6	0.1620	26240	2679	-	2679	3246
7	0.1443	20820	2207	-	2207	2681
8	0.1285	16510	1816	-	1816	2205
-	0.1280*	16380	1802	-	1802	2188
9	0.1144	13090	1491	-	1491	1790
-	0.1040*	10820	1283	1325	1283	1487
10	0.1019	10380	1231	-	1231	1460
12	0.0808	6530	774	-	774	918
-	0.0800*	6400	759	-	759	900
-	0.0640*	4096	485	-	485	576
18	0.0403	1624	193	-	193	228
-	0.0390*	1521	180	-	180	214
20	0.0320	1024	121	-	121	144

\* These diameters are often employed by purchasers for communication lines BUT are not in the American Wire Gauge (B&S Wire Gauge) series, as are the other diameters listed.

**STRANDED COPPERWELD CABLE (ASTM B228)**

Nominal Diameter† (inch) Size AWG‡	Circular Mils	Diameter* (inch)	Breaking Load (pounds)**		
			High Strength		Extra High Strength
			40% Cond.	30% Cond.	30% Cond.
7/8 (19 No. 5)	628900	.910	50240	55570	66910
13/16 (19 No. 6)	498800	.810	41600	45830	55530
23/32 (19 No. 7)	395500	.721	34390	37740	45850
27/32 (19 No. 8)	313700	.642	28380	31040	37690
9/16 (19 No. 9)	248800	.572	23390	25500	30610
5/8 (7 No. 4)	292200	.613	22310	24780	29430
9/16 (7 No. 5)	231700	.546	18510	20470	24650
1/2 (7 No. 6)	183800	.486	15330	16890	20460
7/16 (7 No. 7)	145700	.433	12670	13910	16890
3/8 (7 No. 8)	115600	.385	10460	11440	13890
11/32 (7 No. 9)	91650	.343	8616	9393	11280
5/16 (7 No. 10)	72680	.306	7121	7758	9196
3 No. 5	99310	.392	8373	9262	11860
3 No. 6	78750	.349	6934	7639	9754
3 No. 7	62450	.311	5732	6291	7922
3 No. 8	49530	.277	4730	5174	6282
3 No. 9	39280	.247	3898	4250	5129
3 No. 10	31150	.220	3221	3509	4160
3 No. 12	19590	.174	2236	-	-

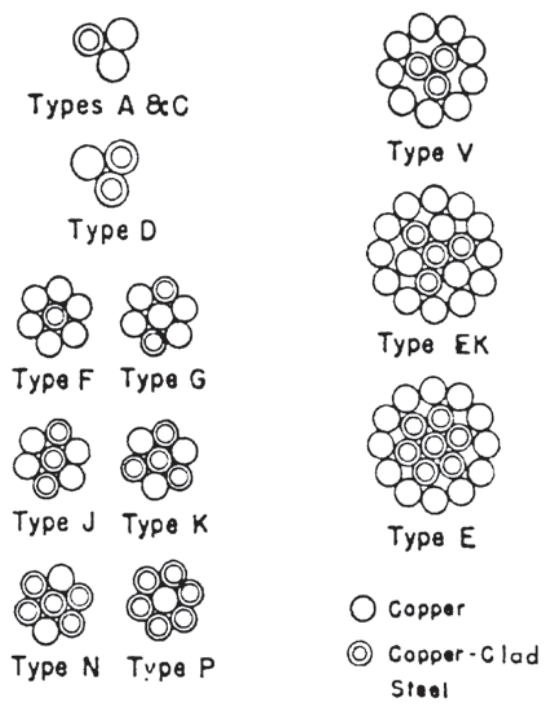
† The designation "inch" is the approximate diameter in proper fraction of an inch.  
 ‡ The designation AWG is a combination of the number of wires each of the American Wire Gauge size indicated by "No."  
 \* Diameter of circumscribing.  
 \*\* Breaking loads of 7-wire and 19-wire conductors are taken as 90% of the sum of the breaking loads of individual wires; breaking load of 3-wire conductors is taken as 95% of the sum of the breaking loads of the individual wires.

CABLE DATA (continued)

COPPERWELD-COPPER CABLE (ASTM B229)

Conductor size Hard Drawn Copper Equivalent			Nom. Dia. of Conductor (inches)	Min. Breaking Load (pounds)
cmil	AWG	Type		
350000	-	E	0.788	32420
350000	-	EK	0.735	23850
350000	-	V	0.754	23480
300000	-	E	0.729	27770
300000	-	EK	0.680	20960
300000	211600	V	0.698	20730
250000	-	E	0.666	23920
250000	-	EK	0.621	17840
250000	-	V	0.637	17420
	4/0	E	0.613	20730
211600	4/0	G	0.583	15640
211600	4/0	EK	0.571	15370
211600	4/0	V	0.586	15000
211600	4/0	F	0.550	12290
167800	3/0	E	0.545	16800
167800	3/0	J	0.555	16170
167800	3/0	G	0.519	12860
167800	3/0	EK	0.509	12370
167800	3/0	V	0.522	12200
167800	3/0	F	0.490	9980
133100	2/0	K	0.534	17600
133100	2/0	J	0.494	13430
133100	2/0	G	0.463	10510
133100	2/0	V	0.465	9846
133100	2/0	F	0.436	8094
105600	1/0	K	0.475	14490
105600	1/0	J	0.440	10970
105600	1/0	G	0.412	8563
105600	1/0	F	0.388	6536
83690	1	N	0.464	15410
83690	1	K	0.423	11900
83690	1	J	0.392	9000
83690	1	G	0.367	6956
83690	1	F	0.346	5266
66360	2	P	0.462	16870
66360	2	N	0.413	12680
66360	2	K	0.377	9730
66360	2	J	0.349	7322
66360	2	A	0.366	5876
66360	2	G	0.327	5626
66360	2	F	0.308	4233
55620	3	P	0.411	13910

Conductor size Hard Drawn Copper Equivalent			Nom. Dia. of Conductor (inches)	Min. Breaking Load (pounds)
cmil	AWG	Type		
52620	3	N	0.368	10390
52620	3	K	0.336	7910
52620	3	J	0.311	5955
52620	3	A	0.326	4810
41740	4	P	0.366	11420
41740	4	N	0.328	8460
41740	4	D	0.348	7340
41740	4	A	0.290	3938
33090	5	P	0.326	9311
33090	5	D	0.310	6035
33090	5	A	0.258	3193
26240	6	D	0.276	4942
26240	6	A	0.230	2585
26240	6	C	0.225	2143
20820	7	D	0.246	4022
20820	7	A	0.223	2754
16510	8	D	0.219	3256
16510	8	A	0.199	2233
16510	8	C	0.179	1362
11750	9	D	0.174	1743



**CABLE DATA (continued)**

**GALVANIZED STEEL CABLE (ASTM A475)**

inches	Nom. Dia. of Strand (mm)	Number of Wires in Strand	Minimum Breaking Load (pounds)				
			Utilities Grade	Common Grade	Siemens-Martin Grade	High-Strength Grade	Extra High-Strength Grade
1/8	3.18	7	-	540	910	1330	1830
5/32	3.97	7	-	870	1470	2140	2940
3/16	4.76	7	-	1150	1900	2850	3990
3/16	4.76	7	2400	-	-	-	-
7/32	5.56	3	-	1400	2340	3500	4900
7/32	5.56	7	-	1540	2560	3850	5400
1/4	6.35	3	3150	1860	3040	4730	6740
1/4	6.35	3	4500	-	-	-	-
1/4	6.35	7	-	1900	3150	4750	6650
9/32	7.14	3	-	2080	3380	5260	7500
9/32	7.14	7	4600	2570	4250	6400	8950
5/16	7.94	3	6500	2490	4090	6350	9100
5/16	7.94	7	-	3200	5350	8000	11200
5/16	7.94	7	6000	-	-	-	-
3/8	9.52	3	8500	3330	5560	8360	11800
3/8	9.52	7	11500	4250	6950	10800	15400
7/16	11.11	7	18000	5700	9350	14500	20800
1/2	12.70	7	25000	7400	12100	18800	26900
1/2	12.70	19	-	7620	12700	19100	26700
9/16	14.29	7	-	9600	15700	24500	35000
9/16	14.29	19	-	9640	16100	24100	33700
5/8	15.88	7	-	11600	19100	29600	42400
5/8	15.88	19	-	11000	18100	28100	40200
3/4	19.05	19	-	16000	26200	40800	58300
7/8	22.22	19	-	21900	35900	55800	79700
1	25.40	9	-	28700	47000	73200	104500
1	25.40	37	-	28300	46200	71900	102700
1-1/8	28.58	37	-	36000	58900	91600	130800
1-1/4	31.75	37	-	44600	73000	113600	162200

## AWG VS. METRIC WIRE SIZES

Circ. Mils	Equivalent Circ. Mils	AWG Size	Metric Wire Size (mm)	Number of Strands	Wire Dia. per Strand		Approx. Overall Diameter	
					inches	mm	inches	mm
-	937	-	.50	1	.032	.813	.032	.81
1020	-	20	-	7	.0121	.307	.036	.91
-	1480	-	.75	1	.039	.091	.039	.99
1620	-	18	-	1	.0103	1.02	.040	1.02
1620	-	18	-	7	.0152	.386	.046	1.16
-	1974	-	1.0	1	.045	1.14	.045	1.14
-	1974	-	1.0	7	.017	.422	.061	1.30
2580	-	16	-	1	.0503	1.29	.051	1.29
2580	-	16	-	7	.0192	.468	.058	1.46
-	2960	-	1.5	1	.055	1.40	.055	1.40
-	2960	-	1.5	7	.021	5.33	.063	1.60
4110	-	14	-	1	.0641	1.63	.064	1.63
4110	-	14	-	7	.0242	.615	.073	1.84
-	4934	-	2.5	1	.071	1.80	.071	1.80
-	4934	-	2.5	7	.027	6.66	.081	2.06
6530	-	12	-	1	.0308	2.05	.081	2.05
6530	-	12	-	7	.0305	.775	.092	2.32
-	7894	-	4	1	.089	2.26	.089	2.26
-	7894	-	4	7	.034	.864	.102	2.59
10380	-	10	-	1	.1019	2.59	.102	2.59
10380	-	10	-	7	.0355	.978	.116	2.93
-	11840	-	6	1	.109	2.77	.109	2.77
-	11840	-	6	7	.042	.107	.126	3.21
13000	-	9	-	1	.1144	2.91	.114	2.91
13090	-	9	-	7	.0432	1.10	.130	3.30
16510	-	8	-	1	.1285	3.26	.128	3.25
16510	-	8	-	7	.0486	1.23	.146	3.70
-	19740	-	10	1	.141	3.58	.141	3.58
-	19740	-	10	7	.054	1.37	.162	4.12
20520	-	7	-	1	.1443	3.67	.144	3.67
20520	-	7	-	7	.0545	1.38	.164	4.15
26240	-	6	-	1	.162	4.11	.162	4.11
26240	-	6	-	7	.0612	1.55	.184	4.66
-	31580	-	16	7	.008	1.73	.204	5.13
33090	-	5	-	7	.0688	1.75	.206	5.24
41740	-	4	-	7	.0772	1.96	.232	5.88
-	49340	-	25	7	.085	2.16	.255	6.48
-	49340	-	25	19	.052	1.32	.260	6.60
52620	-	3	-	7	.0867	2.20	.260	6.61
66300	-	2	-	7	.0974	2.47	.292	7.42
-	69070	-	35	7	.100	2.54	.300	7.62
-	69070	-	35	19	.001	1.55	.305	7.75

**AWG VS. METRIC WIRE SIZES (continued)**

Circ. Mils	Equivalent Circ. Mils	AWG Size	Metric Wire Size (mm)	Number of Strands	Wire Dia. per Strand		Approx. Overall Diameter	
					inches	mm	inches	mm
83690	-	1	-	19	.0064	1.50	.332	8.43
-	98680	-	50	19	.073	1.85	.365	9.27
105000	-	1/0	-	19	.0745	1.59	.373	9.46
133100	-	2/0	-	19	.0837	2.13	.419	10.6
-	138100	-	70	19	.086	2.18	.430	10.9
167800	-	3/0	-	19	.094	2.59	.470	11.9
167800	-	3/0	-	36	.0673	1.71	.471	12.0
-	187500	-	95	19	.101	2.57	.505	12.8
-	187500	-	95	37	.072	1.83	.504	12.5
211600	-	4/0	-	19	.1055	2.89	.528	13.4
-	237.8 kcmil	-	120	37	.081	2.06	.567	14.4
250 kcmil	-	-	-	37	.0822	2.07	.575	14.6
300 kcmil	-	-	150	37	.090	2.29	.630	16.0
350 kcmil	-	-	-	37	.0973	2.47	.681	17.3
-	365.1 kcmil	-	185	37	.100	2.54	.700	17.8
400 kcmil	-	-	-	37	.104	2.64	.728	18.5
-	473.6 kcmil	-	240	37	.114	2.90	.798	20.3
-	473.6 kcmil	-	240	61	.089	2.26	.801	20.3
500 kcmil	-	-	-	37	.1162	2.95	.813	20.7
500 kcmil	-	-	-	61	.0905	2.30	.814	20.7
-	592.1 kcmil	-	300	61	.099	2.51	.891	22.6
600 kcmil	-	-	-	61	.0992	2.52	.893	22.7
700 kcmil	-	-	-	61	.1071	2.72	.964	24.5
750 kcmil	-	-	-	6	.1109	2.82	.998	25.4
750 kcmil	-	-	-	91	.0908	2.31	.998	25.4
-	789.4 kcmil	-	400	61	.114	2.90	1.026	26.1
800 kcmil	-	-	-	61	.1145	2.91	1.031	26.2
800 kcmil	-	-	-	91	.0938	2.38	1.032	26.2
1000 kcmil	986.8 kcmil	-	500	61	.1280	3.25	1.152	28.3
1000 kcmil	-	-	-	91	.1048	2.66	1.153	29.3
-	1233.7 kcmil	-	625	91	.117	2.97	1.287	32.7
1250 kcmil	-	-	-	91	.1172	2.93	1.289	32.7
1250 kcmil	-	-	-	127	.0992	2.52	1.200	32.8
1500 kcmil	-	-	-	91	.1284	3.26	1.412	36.9
1500 kcmil	-	-	-	127	.1087	2.76	1.413	36.9
-	1578.8 kcmil	-	800	91	.132	3.35	1.452	36.9
-	1973.5 kcmil	-	1000	91	.147	3.73	1.617	41.1
2000 kcmil	-	-	-	127	.1255	3.19	1.632	41.5
2000 kcmil	-	-	-	169	.1088	2.76	1.632	41.5

INCHES & MILLIMETERS CONVERSION CHART

INCHES	MM
$\frac{1}{64}$	.015625 — 0.397
$\frac{1}{32}$	.03125 — 0.794
$\frac{3}{64}$	.046875 — 1.191
$\frac{1}{16}$	.0625 — 1.588
$\frac{5}{64}$	.078125 — 1.984
$\frac{3}{32}$	.09375 — 2.381
$\frac{7}{64}$	.109375 — 2.778
$\frac{1}{8}$	.1250 — 3.175
$\frac{9}{64}$	.140625 — 3.572
$\frac{5}{32}$	.15625 — 3.969
$\frac{11}{64}$	.171875 — 4.366
$\frac{3}{16}$	.1875 — 4.763
$\frac{13}{64}$	.203125 — 5.159
$\frac{7}{32}$	.21875 — 5.556
$\frac{15}{64}$	.234375 — 5.953
$\frac{1}{4}$	.2500 — 6.350
$\frac{17}{64}$	.265625 — 6.747
$\frac{9}{32}$	.28125 — 7.144
$\frac{19}{64}$	.296875 — 7.541
$\frac{5}{16}$	.3125 — 7.938
$\frac{21}{64}$	.328125 — 8.334
$\frac{11}{32}$	.34375 — 8.731
$\frac{23}{64}$	.359375 — 9.128
$\frac{3}{8}$	.3750 — 9.525
$\frac{25}{64}$	.390625 — 9.922
$\frac{13}{32}$	.40625 — 10.319
$\frac{27}{64}$	.421875 — 10.716
$\frac{7}{16}$	.4375 — 11.113
$\frac{29}{64}$	.453125 — 11.509
$\frac{15}{32}$	.46875 — 11.906
$\frac{31}{64}$	.484375 — 12.303
$\frac{1}{2}$	.5000 — 12.700

INCHES	MM
$\frac{33}{64}$	.515625 — 13.097
$\frac{17}{32}$	.53125 — 13.494
$\frac{35}{64}$	.546875 — 13.891
$\frac{9}{16}$	.5625 — 14.288
$\frac{37}{64}$	.578125 — 14.684
$\frac{19}{32}$	.59375 — 15.081
$\frac{39}{64}$	.609375 — 15.478
$\frac{5}{8}$	.6250 — 15.875
$\frac{41}{64}$	.640625 — 16.272
$\frac{21}{32}$	.65625 — 16.669
$\frac{43}{64}$	.671875 — 17.066
$\frac{11}{16}$	.6875 — 17.463
$\frac{45}{64}$	.703125 — 17.859
$\frac{23}{32}$	.71875 — 18.256
$\frac{47}{64}$	.734375 — 18.653
$\frac{3}{4}$	.7500 — 19.050
$\frac{49}{64}$	.765625 — 19.447
$\frac{25}{32}$	.78125 — 19.844
$\frac{51}{64}$	.796875 — 20.241
$\frac{13}{16}$	.8125 — 20.638
$\frac{53}{64}$	.828125 — 21.034
$\frac{27}{32}$	.84375 — 21.431
$\frac{55}{64}$	.859375 — 21.828
$\frac{7}{8}$	.8750 — 22.225
$\frac{57}{64}$	.890625 — 22.622
$\frac{29}{32}$	.90625 — 23.019
$\frac{59}{64}$	.921875 — 23.416
$\frac{15}{16}$	.9375 — 23.813
$\frac{61}{64}$	.953125 — 24.209
$\frac{31}{32}$	.96875 — 24.606
$\frac{63}{64}$	.984375 — 25.003
$1$	1.000 — 25.400

MM	INCHES	MM	INCHES
.1	— .0039	46	— 1.8110
.2	— .0079	47	— 1.8504
.3	— .0118	48	— 1.8898
.4	— .0157	48	— 1.9291
.5	— .0197	50	— 1.9685
.6	— .0236	51	— 2.0079
.7	— .0276	52	— 2.0472
.8	— .0315	53	— 2.0866
.9	— .0354	54	— 2.1260
1	— .0394	55	— 2.1654
2	— .0787	56	— 2.2047
3	— .1181	57	— 2.2441
4	— .1575	58	— 2.2835
5	— .1969	59	— 2.3228
6	— .2362	60	— 2.3622
7	— .2756	61	— 2.4016
8	— .3150	62	— 2.4409
9	— .3543	63	— 2.4803
10	— .3937	64	— 2.5197
11	— .4331	65	— 2.5591
12	— .4724	66	— 2.5984
13	— .5118	67	— 2.6378
14	— .5512	68	— 2.6772
15	— .5906	69	— 2.7165
16	— .6299	70	— 2.7559
17	— .6693	71	— 2.7953
18	— .7087	72	— 2.8346
19	— .7480	73	— 2.8740
20	— .7874	74	— 2.9134
21	— .8268	75	— 2.9528
22	— .8661	76	— 2.9921
23	— .9055	77	— 3.0315
24	— .9449	78	— 3.0709
25	— .9843	79	— 3.1102
26	— 1.0236	80	— 3.1496
27	— 1.0630	81	— 3.1890
28	— 1.1024	82	— 3.2283
29	— 1.1417	83	— 3.2677
30	— 1.1811	84	— 3.3071
31	— 1.2205	85	— 3.3465
32	— 1.2598	86	— 3.3858
33	— 1.2992	87	— 3.4252
34	— 1.3386	88	— 3.4646
35	— 1.3780	89	— 3.5039
36	— 1.4173	90	— 3.5433
37	— 1.4567	91	— 3.5827
38	— 1.4961	92	— 3.6220
39	— 1.5354	93	— 3.6614
40	— 1.5748	94	— 3.7008
41	— 1.6142	95	— 3.7402
42	— 1.6535	96	— 3.7795
43	— 1.6929	97	— 3.8189
44	— 1.7323	98	— 3.8583
45	— 1.7717	99	— 3.8976
		100	— 3.9370

**ALPHA-NUMERIC INDEX**

<b>Catalog Number</b>	<b>Page #</b>	<b>Catalog Number</b>	<b>Page #</b>
15.....	86	31SWBOX.....	167
25.....	86	31x100HEBBOX.....	166
32.....	86	31x125HEBBOX.....	166
45.....	86	31x150HEBBOX.....	166
65.....	86	31x175HEBBOX.....	166
90.....	86	31x200HEBBOX.....	166
115.....	86	31x250HEBBOX.....	166
150.....	86	31x300HEBBOX.....	166
200.....	86	31x50HEBBOX.....	166
250.....	86	31x62HEBBOX.....	166
500.....	86	31x75HEBBOX.....	166
115CI.....	86	32CI.....	86
115Q.....	83	32CP.....	86
150Q.....	83	32Q.....	83
15CI.....	86	38CHENBOX.....	167
15CP.....	86	38FWBOX.....	167
15Q.....	83	38FWSS.....	170
200Q.....	83	38HGSN.....	169
250Q.....	83	38HGSN009.....	169
25CHENBOX.....	167	38HSSN.....	170
25CI.....	86	38NWBOX.....	167
25CP.....	86	38NWGS.....	169
25FWBOX.....	167	38SWBOX.....	167
25FWSS.....	170	38SWSSMD.....	170
25HSSN.....	170	38x100HEBBOX.....	166
25NWBOX.....	167	38x125HEBBOX.....	166
25Q.....	83	38x125HGSB.....	169
25SWBOX.....	167	38x125HSSB.....	170
25SWSSLT.....	170	38x150HEBBOX.....	166
25x100HEBBOX.....	166	38x175HEBBOX.....	166
25x125HEBBOX.....	166	38x200HEBBOX.....	166
25x150HEBBOX.....	166	38x225HEBBOX.....	166
25x200HEBBOX.....	166	38x225HGSB.....	169
25x250HEBBOX.....	166	38x225HSSB.....	170
25x300HEBBOX.....	166	38x250HEBBOX.....	166
25x50HEBBOX.....	166	38x250HSSB.....	170
25x62HEBBOX.....	166	38x275HEBBOX.....	166
25x75HEBBOX.....	166	38x275HGSB.....	169
31CHENBOX.....	167	38x275HSSB.....	170
31CHGSN.....	169	38x300HEBBOX.....	166
31FWBOX.....	167	38x325HEBBOX.....	166
31NWBOX.....	167	38x350HEBBOX.....	166

## ALPHA-NUMERIC INDEX (Continued)

<b>Catalog Number</b>	<b>Page #</b>	<b>Catalog Number</b>	<b>Page #</b>
38x400HEBBOX.....	166	50x200HEBBOX .....	166
38x450HEBBOX.....	166	50x200HG SB.....	169
38x500HEBBOX.....	166	50x200HSSB .....	170
38x50HEBBOX.....	166	50x225HABBOX .....	168
38x62HEBBOX.....	166	50x225HEBBOX.....	166
38x75BWSS .....	171	50x250HABBOX .....	168
38x75HEBBOX.....	166	50x250HEBBOX.....	166
38x81FWGS.....	169	50x250HSSB .....	170
38x88HEBBOX.....	166	50x275HABBOX.....	168
44CHENBOX.....	167	50x275HEBBOX.....	166
44FWBOX .....	167	50x300HABBOX .....	168
44NWBOX.....	167	50x300HEBBOX.....	166
44SWBOX.....	167	50x300HSSB .....	170
44x150HEBBOX.....	166	50x325HABBOX.....	168
44x200HEBBOX.....	166	50x325HEBBOX.....	166
45CI.....	86	50x350HABBOX.....	168
45CP .....	86	50x350HEBBOX.....	166
45Q.....	83	50x375HABBOX.....	168
500Q.....	83	50x375HEBBOX.....	166
50CHENBOX.....	167	50x400HABBOX.....	168
50FWABOX.....	168	50x400HEBBOX.....	166
50FWBOX .....	167	50x425HABBOX.....	168
50FWSS .....	170	50x450HABBOX.....	168
50HANBOX.....	168	50x450HEBBOX.....	166
50HG SN .....	169	50x500HABBOX .....	168
50HSSN.....	170	50x500HEBBOX.....	166
50NWBOX.....	167	50x550HABBOX.....	168
50NWGS .....	169	50x550HEBBOX.....	166
50SWALBOX.....	168	50x600HEBBOX .....	166
50SWBOX.....	167	50x75HEBBOX .....	166
50SWSSMD.....	170	62CHENBOX .....	167
50x100HEBBOX.....	166	62FWABOX.....	168
50x100HG SB.....	169	62FWBOX .....	167
50x106BWSS.....	171	62FWSS .....	170
50x106FWGS .....	169	62HANBOX.....	168
50x125HEBBOX.....	166	62HG SN .....	169
50x150HABBOX.....	168	62HSSN.....	170
50x150HEBBOX.....	166	62NWBOX.....	167
50x150HG SB.....	169	62NWGS .....	169
50x175HABBOX.....	168	62SWALBOX .....	168
50x175HEBBOX.....	166	62SWBOX.....	167
50x200HABBOX .....	168	62SWSSMD.....	170



**ALPHA-NUMERIC INDEX (Continued)**

<b>Catalog Number</b>	<b>Page #</b>	<b>Catalog Number</b>	<b>Page #</b>
62x100HEBBOX.....	166	ACC-FLD .....	134
62X100HG SB.....	169	ACC-FPV .....	134
62x125HEBBOX.....	166	ACC-PV .....	134
62x150HEBBOX.....	166	ACC-R2 .....	135
62x175HABBOX.....	168	ACC-R2-E .....	135
62x175HEBBOX.....	166	ACC-R4.....	135
62x175HG SB .....	169	ACC-RBC15.....	135
62x200HABBOX.....	168	ACE-1P.....	119
62x200HEBBOX.....	166	ACE-2C.....	119
62x225HABBOX.....	168	ACE-2P.....	119
62x225HEBBOX.....	166	ACE-3C.....	119
62x250HABBOX.....	168	ACE-3C-1GND.....	119
62x250HEBBOX.....	166	ACE-3C-DF .....	119
62x275HEBBOX.....	166	ACE-3P .....	119
62x300HABBOX.....	168	ACE-4C.....	119
62x300HEBBOX.....	166	ACE-4P .....	119
62x300HSSB .....	170	ACE-PT.....	119
62x325HEBBOX.....	166	ACE-PTD.....	119
62x350HABBOX.....	168	B-106 .....	113
62x350HEBBOX.....	166	B106-32.....	114
62x400HABBOX.....	168	B106-37.....	114
62x400HEBBOX.....	166	B106-41.....	114
62x450HABBOX.....	168	B-107 .....	113
62x450HEBBOX.....	166	B107-32 .....	114
62x500HABBOX.....	168	B-1208 .....	92
62x500HEBBOX.....	166	B-1212 .....	97
62x550HABBOX.....	168	B-1215 .....	102
62x600HABBOX.....	168	B-1216 .....	102
62x600HEBBOX.....	166	B-1218 .....	102
65CI .....	86	B-1219 .....	102
65CP .....	86	B-1220 .....	102
65Q.....	83	B-1221 .....	102
75NWGS.....	169	B-1222 .....	102
75X125HG SB.....	169	B-1223 .....	102
90CI .....	86	B-1224 .....	102
90Q.....	83	B-1225-H.....	102
ACC.....	134	B-1226-H.....	102
ACC-F1-270.....	135	B-1228-H.....	102
ACC-F2-90 .....	135	B-1270 .....	91
ACC-F4-90.....	135	B-1271 .....	91
ACC-F90-1 .....	135	B-1272 .....	91
ACC-FBC.....	136	B-1273 .....	91

## ALPHA-NUMERIC INDEX (Continued)

<b>Catalog Number</b>	<b>Page #</b>	<b>Catalog Number</b>	<b>Page #</b>
B-1274.....	91	B-1317.....	92
B-1275.....	91	B-1318.....	92
B-1276.....	91	B-1319.....	92
B-1277.....	91	B-1320.....	92
B-1278.....	91	B-1321.....	92
B-1279.....	91	B-1322.....	92
B-1280.....	91	B-1323.....	92
B-1281.....	91	B-1324.....	92
B-1282.....	91	B-1325.....	92
B-1283.....	91	B-1326.....	92
B-1284.....	91	B-1327.....	92
B-1285.....	91	B-1328.....	92
B-1286.....	91	B-1329.....	92
B-1287.....	91	B-1330.....	92
B-1288.....	91	B-1331.....	92
B-1289.....	91	B-1332.....	92
B-1290.....	91	B-1333.....	92
B-1291.....	91	B-1334.....	92
B-1292.....	91	B-1335.....	92
B-1293.....	91	B-1336.....	92
B-1294.....	91	B-1581.....	95
B-1295.....	91	B-1582.....	95
B-1296.....	91	B-1583.....	95
B-1297.....	91	B-1584.....	95
B-1298.....	91	B-1586.....	95
B-1299.....	91	B-1587.....	95
B-1300.....	91	B-1588.....	95
B-1301.....	91	B-1589.....	95
B-1302.....	91	B-1593.....	95
B-1303.....	91	B-1594.....	95
B-1304.....	91	B-1595.....	95
B-1305.....	91	B-1596.....	95
B-1306.....	91	B-1597.....	95
B-1307.....	91	B-1601.....	95
B-1308.....	91	B-1602.....	95
B-1309.....	91	B-1603.....	95
B-1310.....	91	B-1604.....	95
B-1311.....	92	B-1605.....	95
B-1313.....	92	B-1606.....	95
B-1314.....	92	B-1610.....	95
B-1315.....	92	B-1611.....	95
B-1316.....	92	B-1613.....	104

**ALPHA-NUMERIC INDEX (Continued)**

<b>Catalog Number</b>	<b>Page #</b>	<b>Catalog Number</b>	<b>Page #</b>
B-1614 .....	104	B2154 .....	95
B-1615 .....	104	B-2155 .....	95
B-1616 .....	104	B-2156 .....	95
B-1617 .....	104	B-2157 .....	95
B-1618 .....	104	B-2158 .....	95
B-1619 .....	104	B-2159 .....	95
B-1620 .....	104	B-2160 .....	95
B-1626 .....	103	B-2161 .....	95
B-1627 .....	103	B-2162 .....	95
B-1628 .....	103	B-2163 .....	95
B-1629 .....	103	B-2164 .....	95
B-1630 .....	103	B-2165 .....	95
B-1631 .....	103	B-2189 .....	102
B-1632 .....	103	B-2199 .....	99
B-1633 .....	103	B-2200 .....	99
B-1634 .....	103	B-221 .....	88
B-1635 .....	103	B-223 .....	88
B-1636 .....	103	B-2235 .....	97
B-1637 .....	103	B-224 .....	88
B-1638 .....	103	B-225 .....	88
B-1639 .....	103	B-226 .....	88
B-1640 .....	103	B-227 .....	88
B-1641 .....	103	B-228 .....	88
B-1642 .....	103	B-229 .....	88
B1643 .....	103	B-230 .....	88
B-1644 .....	103	B-231 .....	88
B-1645 .....	103	B-232 .....	88
B-1646 .....	103	B-2320 .....	97
B-1648 .....	103	B-234 .....	88
B-1649 .....	103	B-235 .....	88
B-1650 .....	103	B-236 .....	88
B-205 .....	87	B-237 .....	88
B-206 .....	87	B-238 .....	88
B-207 .....	87	B-239 .....	88
B-208 .....	87	B-240 .....	88
B-2084 .....	97	B-241 .....	88
B-209 .....	87	B-242 .....	88
B-210 .....	87	B-243 .....	88
B-211 .....	87	B-244 .....	88
B-213 .....	87	B-245 .....	88
B-214 .....	87	B-2450 .....	97
B-215 .....	87	B-246 .....	88

## ALPHA-NUMERIC INDEX (Continued)

<b>Catalog Number</b>	<b>Page #</b>	<b>Catalog Number</b>	<b>Page #</b>
B-247 .....	88	B-2583-S .....	101
B-2476 .....	101	B-259 .....	88
B-2477 .....	101	B-260 .....	88
B-2478 .....	101	B-261 .....	88
B-248 .....	88	B-262 .....	88
B-2480 .....	101	B-263 .....	88
B-2480-S .....	101	B-264 .....	88
B-2482 .....	101	B-265 .....	88
B-2483 .....	101	B-266 .....	88
B-2484 .....	101	B-267 .....	88
B-2486 .....	101	B-268 .....	88
B-2487 .....	101	B-2687 .....	90
B-2488 .....	101	B-2689 .....	90
B-249 .....	88	B-269 .....	88
B-2490 .....	101	B-2690 .....	90
B-2491 .....	101	B-2691 .....	90
B-2493 .....	101	B-2692 .....	90
B-2494 .....	101	B-2693 .....	90
B-2495 .....	101	B-2694 .....	90
B-2497 .....	101	B-2695 .....	90
B-2498 .....	101	B-2696 .....	90
B-250 .....	88	B-2697 .....	90
B-2506 .....	99	B-2698 .....	90
B-2507 .....	99	B-2699 .....	90
B-2509 .....	99	B-270 .....	88
B-251 .....	88	B-2700 .....	90
B-2510 .....	97	B-2701 .....	90
B-2511 .....	99	B-2702 .....	90
B-252 .....	88	B-2703 .....	90
B-253 .....	88	B-2704 .....	90
B-254 .....	88	B-2705 .....	90
B-2540 .....	102	B-2706 .....	90
B-2542 .....	99	B-2707 .....	90
B-255 .....	88	B-2708 .....	90
B-2558 .....	97	B-2709 .....	90
B-256 .....	88	B-2710 .....	90
B-2566 .....	96	B-2711 .....	90
B-2567 .....	104	B-2712 .....	90
B-2568 .....	104	B-2713 .....	90
B-257 .....	88	B-2714 .....	90
B-258 .....	88	B-2715 .....	90
B-2583 .....	101	B-2716 .....	90

**ALPHA-NUMERIC INDEX (Continued)**

<b>Catalog Number</b>	<b>Page #</b>	<b>Catalog Number</b>	<b>Page #</b>
B-2717 .....	90	B38-0101-01 .....	116
B-2718 .....	90	B38-0135-01 .....	115
B-2719 .....	90	B38-0302-00 .....	116
B-2747 .....	90	B38-0302-02 .....	116
B-2751 .....	90	B38-0303-00 .....	116
B-2752 .....	90	B38-0304-00 .....	116
B-2753 .....	90	B38-0305-00 .....	116
B-2754 .....	90	B38-0306-00 .....	115, 116
B-2755 .....	90	B38-0307-00 .....	116
B-2756 .....	90	B38-0308-00 .....	116
B-2757 .....	90	B38-0309-00 .....	116
B-2761 .....	104	B38-0309-01 .....	116
B-2781 .....	102	B38-0315-00 .....	115
B-280 .....	88	B38-0330-00 .....	115
B-282 .....	88	B38-0904-00 .....	116
B-283 .....	88	B38-3662-01 .....	117
B-284 .....	88	B38-3662-02 .....	117
B-285 .....	88	B38-3662-03 .....	117
B-286 .....	88	B38-3662-04 .....	117
B-287 .....	88	B38-3662-05 .....	117
B-288 .....	88	B38-3662-06 .....	117
B-289 .....	88	B38-3922-00 .....	115, 116
B-290 .....	88	B38412900 .....	115
B-291 .....	88	B38412905 .....	115
B-293 .....	88	B3D12 .....	65
B-294 .....	88	B3D12N .....	65
B-295 .....	88	B3E12 .....	65
B-296 .....	88	B3E12N .....	65
B-297 .....	88	B3F12 .....	65
B-298 .....	88	B3F12N .....	65
B2D12 .....	65	B3G12 .....	65
B2D12N .....	65	B3G12N .....	65
B2E12 .....	65	B40-0106-75 .....	113
B2E12N .....	65	B40-0106-76 .....	114
B2F12 .....	65	B40-0106-77 .....	114
B2F12N .....	65	B40-0106-78 .....	114
B2G12N .....	65	B40-0319-01 .....	115
B-333 .....	88	B40-0319-03 .....	115
B370320-01 .....	86	B40-3657-00 .....	113
B370320-02 .....	86	B40-4431-00 .....	114
B370320-03 .....	86	B-423 .....	89
B38-0101-00 .....	116	B-424 .....	89

## ALPHA-NUMERIC INDEX (Continued)

<b>Catalog Number</b>	<b>Page #</b>	<b>Catalog Number</b>	<b>Page #</b>
B-425.....	89	B-467.....	89
B-426.....	89	B-468.....	89
B-427.....	89	B-469.....	89
B-428.....	89	B-470.....	89
B-429.....	89	B-471.....	89
B-430.....	89	B-472.....	89
B-431.....	89	B-483.....	89
B-432.....	89	B-485.....	89
B-433.....	89	B-486.....	89
B-434.....	89	B-487.....	89
B-435.....	89	B-488.....	89
B-436.....	89	B-489.....	89
B-437.....	89	B-490.....	89
B-438.....	89	B-491.....	89
B-439.....	89	B-492.....	89
B-440.....	89	B-493.....	89
B-441.....	89	B-495.....	93
B-442.....	89	B-496.....	93
B-443.....	89	B-497.....	93
B-444.....	89	B-498.....	93
B-445.....	89	B-499.....	93
B-446.....	89	B4D12.....	65
B-447.....	89	B4D12N.....	65
B-448.....	89	B4E12.....	65
B-449.....	89	B4E12N.....	65
B-450.....	89	B4F12.....	65
B-451.....	89	B4F12N.....	65
B-452.....	89	B4G12N.....	65
B-453.....	89	B-500.....	93
B-454.....	89	B-501.....	93
B-455.....	89	B-502.....	93
B-456.....	89	B-5021.....	88
B-457.....	89	B-503.....	93
B-458.....	89	B-504.....	93
B-459.....	89	B-505.....	93
B-460.....	89	B-506.....	93
B-461.....	89	B-5065.....	100
B-462.....	89	B-507.....	93
B-463.....	89	B-508.....	93
B-464.....	89	B-509.....	93
B-465.....	89	B-510.....	93
B-466.....	89	B-511.....	93

**ALPHA-NUMERIC INDEX (Continued)**

<b>Catalog Number</b>	<b>Page #</b>	<b>Catalog Number</b>	<b>Page #</b>
B-513 .....	93	B-537 .....	94
B-514 .....	93	B-538 .....	94
B-515 .....	93	B-5380 .....	96
B-516 .....	93	B-5389 .....	102
B-517 .....	93	B-539 .....	94
B-518 .....	93	B-5390 .....	96
B-519 .....	93	B-540 .....	94
B-520 .....	93	B-541 .....	94
B-521 .....	93	B-5416 .....	96
B-523 .....	93	B-5419 .....	104
B-524 .....	93	B-542 .....	94
B-525 .....	93	B-5428 .....	97
B-526 .....	93	B-543 .....	94
B-527 .....	93	B-5432 .....	90
B-528 .....	93	B-544 .....	94
B-529 .....	93	B-545 .....	94
B-5294 .....	96	B-546 .....	94
B-530 .....	93	B-547 .....	94
B-531 .....	93	B-5475 .....	88
B-5321 .....	95	B-548 .....	94
B-533 .....	93	B-549 .....	94
B-5330 .....	97	B-550 .....	94
B-5331 .....	100	B-551 .....	94
B-5332 .....	97	B-5513 .....	96
B-5333 .....	97	B-5515 .....	96
B-5334 .....	97	B-5517 .....	97
B-5335 .....	97	B-552 .....	94
B-5336 .....	97	B-553 .....	94
B-5337 .....	97	B-555 .....	94
B-5338 .....	97	B-5555 .....	96
B-534 .....	93	B-5556 .....	96
B-5340 .....	92	B-556 .....	94
B-5341 .....	97	B-5560 .....	97
B-5342 .....	92	B-5561 .....	96
B-535 .....	93	B-557 .....	94
B-5351 .....	97	B-5573 .....	97
B-5352 .....	97	B-5574 .....	88
B-5353 .....	97	B-558 .....	94
B-5359 .....	102	B-559 .....	94
B-5361 .....	102	B-560 .....	94
B-5362 .....	102	B-5604 .....	97
B-5363 .....	102	B-561 .....	94

## ALPHA-NUMERIC INDEX (Continued)

<b>Catalog Number</b>	<b>Page #</b>	<b>Catalog Number</b>	<b>Page #</b>
B-5618.....	91	B-5702.....	97
B-562.....	94	B-5709.....	91
B-5623.....	87	B-571.....	94
B-5624.....	87	B-572.....	94
B-5625.....	87	B-5722.....	96
B-5626.....	87	B-573.....	94
B-5627.....	92	B-5732.....	96
B-5629.....	92	B-5734.....	96
B-563.....	94	B-5738.....	96
B-5630.....	92	B-574.....	94
B-5631.....	92	B-5746.....	96
B-5632.....	92	B-575.....	94
B-5634.....	92	B-5767.....	97
B-5635.....	92	B-577.....	94
B-5636.....	92	B-5777.....	96
B-5637.....	92	B-578.....	94
B-5638.....	92	B-5781.....	93
B-5639.....	92	B-579.....	94
B-564.....	94	B-5803.....	96
B-5640.....	97	B-5807.....	96
B-5642.....	92	B-5820.....	96
B-5644.....	92	B-5821.....	96
B-5645.....	92	B-5830.....	96
B-5652.....	92	B-5833.....	96
B-5659.....	92	B-585.....	101
B-566.....	94	B-5850.....	96
B-5660.....	95	B-5857.....	96
B-5667.....	97	B-586.....	101
B-5668.....	92	B-587.....	101
B-567.....	94	B-5877.....	96
B-5676.....	92	B-588.....	101
B-5677.....	97	B-588-S.....	101
B-5679.....	92	B-589.....	101
B-5680.....	92	B-590.....	101
B-5682.....	92	B-5904.....	96
B-5684.....	92	B-591.....	101
B-5686.....	92	B-5910.....	104
B-5688.....	92	B-592.....	101
B-569.....	94	B-593.....	101
B-5698.....	96	B-5935.....	96
B-5699.....	96	B-594.....	101
B-570.....	94	B-5940.....	96



**ALPHA-NUMERIC INDEX (Continued)**

<b>Catalog Number</b>	<b>Page #</b>	<b>Catalog Number</b>	<b>Page #</b>
B-5943 .....	92	B-645.....	99
B-595.....	101	B-646.....	99
B-596.....	101	B-647.....	99
B-5961.....	96	B-648.....	99
B-5963.....	96	B-649.....	99
B-5972.....	96	B-650.....	99
B-598.....	101	B-652.....	99
B-599.....	101	B-653.....	99
B-5992 .....	96	B-654.....	99
B-600 .....	101	B-6552 .....	92
B-6002 .....	97	B-6630 .....	95
B-6003 .....	96	B-6766.....	97
B-602.....	100	B-6906 .....	95
B-6025 .....	96	B-7075 .....	99
B-603.....	100	B-7146 .....	99
B-604.....	100	B-7192 .....	100
B-6046 .....	92	B-7500.....	105
B-6048 .....	96	B-7501.....	105
B-605.....	100	B-7502.....	105
B-6051.....	97	B-7503.....	105
B-6060 .....	104	B-7504.....	105
B-6061 .....	104	B-7505.....	105
B-6067 .....	104	B-7506.....	105
B-6072.....	104	B-7507 .....	105
B-6114 .....	99	B-7508.....	105
B-616.....	100	B-7509.....	105
B-6165.....	96	B-7510 .....	105
B-617 .....	100	B-7511.....	105
B-618 .....	100	B-7512 .....	105
B-619.....	100	B-7513 .....	105
B-620.....	100	B-7514 .....	105
B-6208 .....	97	B-7515 .....	105
B-621 .....	100	B-7520 .....	105
B-622.....	100	B-7521 .....	105
B-624.....	100	B-7522.....	105
B-625-H.....	100	B-7523.....	105
B-626-H.....	100	B-7528.....	105
B-628.....	99	B-7529.....	105
B-629.....	99	B-7530.....	105
B-630.....	99	B-7531.....	105
B-631.....	99	B-7588.....	106
B-644 .....	99	B-7589.....	106

## ALPHA-NUMERIC INDEX (Continued)

<b>Catalog Number</b>	<b>Page #</b>	<b>Catalog Number</b>	<b>Page #</b>
B-7590.....	106	B-7632.....	107
B-7591.....	106	B-7633.....	107
B-7592.....	106	B-7634.....	107
B-7593.....	106	B-7635.....	107
B-7594.....	106	B-7636.....	107
B-7595.....	106	B-7637.....	107
B-7596.....	106	B-7638.....	107
B-7597.....	106	B-7639.....	107
B-7598.....	106	B-7640.....	107
B-7599.....	106	B-7641.....	107
B-7600.....	106	B-7642.....	107
B-7601.....	106	B-7643.....	107
B-7602.....	106	B-7644.....	107
B-7603.....	106	B-7645.....	107
B-7604.....	106	B-7646.....	107
B-7605.....	106	B-7647.....	107
B-7606.....	106	B-7648.....	107
B-7607.....	106	B-7649.....	107
B-7608.....	106	B-7650.....	107
B-7609.....	106	B-7651.....	107
B-7610.....	106	B-7652.....	107
B-7611.....	106	B-7653.....	107
B-7612.....	106	B-7654.....	107
B-7613.....	106	B-7655.....	107
B-7614.....	106	B-7656.....	107
B-7615.....	106	B-7657.....	107
B-7616.....	106	B-7658.....	107
B-7617.....	106	B-7659.....	107
B-7618.....	106	B-7708.....	108
B-7619.....	106	B-7709.....	108
B-7620.....	107	B-7710.....	108
B-7621.....	107	B-7711.....	108
B-7622.....	107	B-7712.....	108
B-7623.....	107	B-7713.....	108
B-7624.....	107	B-7714.....	108
B-7625.....	107	B-7715.....	108
B-7626.....	107	B-7716.....	108
B-7627.....	107	B-7717.....	108
B-7628.....	107	B-7718.....	108
B-7629.....	107	B-7719.....	108
B-7630.....	107	B-7720.....	108
B-7631.....	107	B-7721.....	108

**ALPHA-NUMERIC INDEX (Continued)**

<b>Catalog Number</b>	<b>Page #</b>	<b>Catalog Number</b>	<b>Page #</b>
B-7722.....	108	B-7908.....	109
B-7723.....	108	B-7909.....	109
B-7724.....	108	B-7910.....	109
B-7725.....	108	B-7911.....	109
B-7726.....	108	B-7912.....	109
B-7727.....	108	B-7913.....	109
B-7728.....	108	B-7914.....	109
B-7729.....	108	B-7915.....	109
B-7730.....	108	B-7916.....	109
B-7731.....	108	B-7917.....	109
B-7732.....	108	B-7918.....	109
B-7733.....	108	B-7919.....	109
B-7734.....	108	B-7920.....	109
B-7735.....	108	B-7921.....	109
B-7736.....	108	B-7922.....	109
B-7737.....	108	B-7923.....	109
B-7738.....	108	B-8011.....	97
B-7739.....	108	B-8027.....	97
B-7884.....	109	B-8165.....	102
B-7885.....	109	B-8214.....	97
B-7886.....	109	B-8294.....	97
B-7887.....	109	B-8359.....	104
B-7888.....	109	B-8379.....	100
B-7889.....	109	B-8381.....	100
B-7890.....	109	B-8402.....	93
B-7891.....	109	B-8403.....	93
B-7892.....	109	B-8410.....	100
B-7893.....	109	B-8413.....	100
B-7894.....	109	B-8414.....	93
B-7895.....	109	B-8415.....	93
B-7896.....	109	B-8422.....	93
B-7897.....	109	B-8423.....	100
B-7898.....	109	B-8426.....	93
B-7899.....	109	B-8428.....	97
B-7900.....	109	B-8434.....	94
B-7901.....	109	B-8435.....	94
B-7902.....	109	B-8441.....	94
B-7903.....	109	B-8442.....	94
B-7904.....	109	B-8451.....	97
B-7905.....	109	B-8452.....	94
B-7906.....	109	B-8454.....	94
B-7907.....	109	B-8461.....	97

## ALPHA-NUMERIC INDEX (Continued)

<b>Catalog Number</b>	<b>Page #</b>	<b>Catalog Number</b>	<b>Page #</b>
B-8512 .....	102	BB024SSL6LT516 .....	68
B-8718 .....	102	BB024SSL6T14 .....	68
B-8726 .....	97	BB024SSL9LT14 .....	68
B-8802 .....	97	BB024SSL9LT38 .....	68
B-8833 .....	101	BB024SSL9LT516 .....	68
B-8882 .....	92	BB036L12T14 .....	63
B-9021 .....	101	BB036L18T14 .....	63
B-9029 .....	102	BB036L9T14 .....	63
B-9233 .....	101	BB048L12LT12 .....	66
B-9233-S .....	101	BB048L12LT14 .....	66
B-9253 .....	104	BB048L12LT38 .....	66
BA-200 .....	117	BB048L18LT12 .....	66
BA-201 .....	117	BB048L18LT14 .....	66
BA-202 .....	117	BB048L18LT38 .....	66
BA-203 .....	117	BB048L24LT12 .....	66
BA-204 .....	117	BB048L24LT14 .....	66
BA-205 .....	117	BB048L24LT38 .....	66
BA-207 .....	117	BB048L6T14 .....	63
BA-208 .....	117	BB048L9T14 .....	63
BA-209 .....	117	BB067L6T14 .....	63
BA-211 .....	117	BB067L9T14 .....	63
BA-212 .....	117	BBB-14210A .....	80
BA-213 .....	117	BBB-14224B .....	80
BA-214 .....	117	BBB-14410C .....	80
BA-215 .....	117	BBB-14410D .....	80
BA-240 .....	117	BBB-14412E .....	80
BAT18VLI .....	139, 140, 141, 150, 151	BBB-14412F .....	80
BB024L12LT14 .....	66	BBB-14416G .....	80
BB024L12LT14B .....	67	BBB-14416H .....	80
BB024L18LT14 .....	66	BBB-14420J .....	80
BB024L18LT14B .....	67	BBB412UD .....	80
BB024L24LT14 .....	66	BBB-424-UD .....	80
BB024L24LT14B .....	67	BBB-HR19 .....	80
BB024L6T14 .....	63	BBB-VR36 .....	80
BB024L8LT14 .....	66	BCC1000CUAL .....	152
BB024L9T14 .....	63	BCCBAT12V .....	152
BB024SSL12LT14 .....	68	BCCCASE .....	152
BB024SSL12LT38 .....	68	BCCCHGR .....	152
BB024SSL12LT516 .....	68	BD12 .....	64
BB024SSL6LT14 .....	68	BD12N .....	64
BB024SSL6LT38 .....	68	BD12NB .....	67
		BD18 .....	64

**ALPHA-NUMERIC INDEX (Continued)**

<b>Catalog Number</b>	<b>Page #</b>	<b>Catalog Number</b>	<b>Page #</b>
BD18N.....	64	BG24 .....	64
BD18NB.....	67	BG24N .....	64
BD24.....	64	BG6T716.....	63
BD24N.....	64	BG8T716.....	63
BD24NB.....	67	BGBS4.....	41
BD6T14 .....	63	BGBS4BULK .....	41
BD9T14 .....	63	BGBS5.....	41
BDT1.....	50	BGBS5BULK .....	41
BDTIBB .....	51	BGM3050 .....	112
BE12 .....	64	BGM3100.....	112
BE12N .....	64	BGM640044.....	112
BE12T58 .....	63	BGM64006.....	112
BE12T716.....	63	BGM640066.....	112
BE18 .....	64	BGM640068.....	112
BE18N .....	64	BMC2-14 .....	124
BE18T58 .....	63	BMC2-14BK.....	124
BE18T716.....	63	BMC2-14CL.....	124
BE24.....	64	BMC2-516.....	124
BE24N.....	64	BMC2-516BK .....	124
BE24T58.....	63	BMC2-516CL.....	124
BE6T716 .....	63	BMCSS6W17 .....	123
BEC2-14 .....	124	BMCSS8W17 .....	123
BEC2-14BK.....	124	BS-2006.....	98
BEC2-14CL.....	124	BS-2007 .....	98
BEC2-516.....	124	BS-2008.....	98
BEC2-516BK.....	124	BS-2009.....	98
BEC2-516CL .....	124	BS-2010 .....	98
BF12 .....	64	BS-2011.....	98
BF12N.....	64	BS-2012 .....	98
BF12T716.....	63	BS-2013 .....	98
BF18 .....	64	BS-2014 .....	98
BF18N .....	64	BS-2015 .....	98
BF18T716.....	63	BS-2016 .....	98
BF24 .....	64	BS-2017 .....	98
BF24N .....	64	BS-2018 .....	98
BF6T716.....	63	BS-2019 .....	98
BG12.....	64	BS-2020.....	98
BG12N.....	64	BS-2021 .....	98
BG12T12 .....	63	BS-2024.....	98
BG12T716.....	63	BS-2025.....	98
BG18.....	64	BS-2026.....	98
BG18N.....	64	BS-2027 .....	98

## ALPHA-NUMERIC INDEX (Continued)

<b>Catalog Number</b>	<b>Page #</b>	<b>Catalog Number</b>	<b>Page #</b>
BS-2028.....	98	C22HD4/0DB.....	54
BS-2029.....	98	C-22JA.....	54
BS-2030.....	98	C-22JPT.....	52
BS-2031.....	98	C-22LH-1.....	56
BS-2032.....	98	C-22LH-2.....	56
BS-2033.....	98	C-22LH-3.....	56
BS-2034.....	98	C-4.....	52
BS-2068.....	98	C-4JA.....	54
BS-2069.....	98	C-4JPT.....	52
BS-2070.....	98	C-4LH-1.....	56
BS-2105.....	98	C-4LH-2.....	56
BS-2106.....	98	C-4LH-3.....	56
BS-2107.....	98	C-5.....	52
BS-2108.....	98	C-6.....	55
BS-2109.....	98	C-61.....	55
BS-2110.....	98	C-66.....	55
BSD20100.....	74	C-6D.....	55
BSD2050.....	74	C-7.....	55
BSD2050N.....	74	C-8.....	52
BSD2050Y.....	74	CASEWDIES.....	148, 149
BTW150750.....	162	CCY106LT12G.....	67
BTW1575F12.....	162	CCY10L12LT1090G.....	67
BTW30150.....	162	CCY10L12LT14GY.....	67
BWB680AG.....	82	CCY10L12LT38G.....	67
BWB680IG.....	82	CCY10L12T12G.....	67
C-11B.....	52	CCY10L14LT14GY.....	67
C-11CSH-1.....	56	CCY10L18LT1090G.....	67
C-11CSH-2.....	56	CCY10L18LT14GY.....	67
C-11CSH-3.....	56	CCY10L18LT38G.....	67
C11CSLH12.....	56	CCY10L18T12G.....	67
C-11D.....	52	CCY10L24LT1090G.....	67
C11HD4/0DB.....	54	CCY10L24LT38G.....	67
C-11JA.....	54	CCY10L24T12G.....	67
C-11JPT.....	52	CCY10L6LT38G.....	67
C11K16D.....	53	CCY10L7T14GY.....	67
C11K17D.....	53	CCY10L9LT38G.....	67
C-11LH-1.....	56	CCY10L9T12G.....	67
C-11LH-2.....	56	CCY10L9T14GY.....	67
C-11LH-3.....	56	CL1/0-14TN.....	40
C-11N.....	52	CL250-516TN.....	40
C-22.....	52	CL3/0-516TN.....	40
C-22D.....	52	CL50-1.....	40

**ALPHA-NUMERIC INDEX (Continued)**

<b>Catalog Number</b>	<b>Page #</b>	<b>Catalog Number</b>	<b>Page #</b>
CL50-1TN .....	40	GAR2026.....	43
CL50-1TN BULK.....	40	GAR2029.....	43
CZ-11 .....	53	GAR2034.....	43
EPP10 .....	160	GAR204C.....	43
EPP6 .....	160	GAR2126 .....	43
EPPCASE1.....	160	GAR2129.....	43
EQC632C .....	37	GAR2134.....	43
FFGC2 .....	38	GAR214C .....	43
FFGC2/0.....	38	GAR2226.....	43
FFGC4 .....	38	GAR2229.....	43
FFGC6 .....	38	GAR2234.....	43
FFGC8 .....	38	GAR224C.....	43
FORCEGAUGE1215.....	142	GAR2426.....	43
GA25H26.....	48	GAR2429.....	43
GA400H294CTN.....	48	GAR2434.....	43
GAR1126.....	42	GAR244C .....	43
GAR1129.....	42	GAR3902.....	44
GAR114C.....	42	GAR3902-BU.....	44
GAR1426 .....	42	GAR3902TC .....	45
GAR1429 .....	42	GAR3903.....	44
GAR1434 .....	42	GAR3903-BU.....	44
GAR144C .....	42	GAR3903TC.....	45
GAR1526 .....	42	GAR3904.....	44
GAR1529 .....	42	GAR3904-BU.....	44
GAR1534 .....	42	GAR3904TC.....	45
GAR154C .....	42	GAR3905.....	44
GAR1626 .....	42	GAR3905-BU.....	44
GAR1629 .....	42	GAR3905TC .....	45
GAR1634 .....	42	GAR3906.....	44
GAR164C .....	42	GAR3906-BU .....	44
GAR1726 .....	43	GAR3906TC .....	45
GAR1729 .....	43	GAR3907 .....	44
GAR1734 .....	43	GAR3907-BU .....	44
GAR174C.....	43	GAR3907TC.....	45
GAR1826 .....	43	GAR3908.....	44
GAR1829 .....	43	GAR3908-BU.....	44
GAR1834 .....	43	GAR3908TC .....	45
GAR184C .....	43	GAR3909.....	44
GAR1926 .....	43	GAR3909-BU.....	44
GAR1929 .....	43	GAR3909TC .....	45
GAR1934 .....	43	GAR6426.....	42
GAR194C .....	43	GAR6429.....	42

## ALPHA-NUMERIC INDEX (Continued)

<b>Catalog Number</b>	<b>Page #</b>	<b>Catalog Number</b>	<b>Page #</b>
GAR6434.....	42	GD184C.....	46
GAR644C.....	42	GD1926.....	46
GAR644C-RB.....	44	GD1929.....	46
GAR8629.....	43	GD1934.....	46
GAR8634.....	43	GD194C.....	46
GB26.....	69	GD2026.....	46
GB29.....	69	GD2029.....	46
GB34.....	69	GD2034.....	46
GB4C.....	69	GD204C.....	46
GBL30N.....	69	GD2126.....	46
GBM26.....	69	GD2129.....	46
GBM29.....	69	GD2134.....	46
GBM34.....	69	GD214C.....	46
GBM4C.....	69	GD2226.....	46
GC15A.....	57	GD2229.....	46
GC18A.....	57	GD2234.....	46
GC22A.....	57	GD224C.....	46
GC2525CT.....	71	GG15-1.....	60
GC2626.....	69	GG16-1.....	60
GC2626CT.....	71	GG17-1.....	60
GC2929.....	69	GG17-15.....	60
GC2929CT.....	71	GG18-1.....	60
GC3434.....	69	GG18-15.....	60
GC4C4C.....	69	GG18-2.....	60
GCB63T13G1.....	73	GG19-2.....	60
GCL30.....	69	GG19-25.....	60
GCM26.....	69	GG20-2.....	60
GCM29.....	69	GG20-25.....	60
GCM34.....	69	GG20-3.....	60
GCM4C.....	69	GG21-2.....	60
GCRT1/0.....	58	GG21-25.....	60
GD1526.....	46	GG21-3.....	60
GD1529.....	46	GG21-35.....	60
GD1626.....	46	GG22-2.....	60
GD1629.....	46	GG22-25.....	60
GD1726.....	46	GG22-3.....	60
GD1729.....	46	GG22-4.....	60
GD1734.....	46	GG24-2.....	60
GD174C.....	46	GIE2CG3.....	72
GD1826.....	46	GIE4CG3.....	72
GD1829.....	46	GIE4CG3P5.....	72
GD1834.....	46	GIE4CG3P7.....	72



**ALPHA-NUMERIC INDEX (Continued)**

<b>Catalog Number</b>	<b>Page #</b>	<b>Catalog Number</b>	<b>Page #</b>
GIE4CG4 .....	72	GP164C .....	47
GIE4CG4P5 .....	72	GP1726 .....	47
GIE4CG4P7 .....	72	GP1726G1 .....	79
GK1126 .....	49	GP1726RT .....	79
GK1129 .....	49	GP1826 .....	47
GK114C .....	49	GP184C .....	47
GK1426 .....	49	GP2026 .....	47
GK1429 .....	49	GP2226 .....	47
GK1434 .....	49	GP6426 .....	47
GK1526 .....	49	GP6429 .....	47
GK1529 .....	49	GP6434 .....	47
GK1626 .....	49	GP644C .....	47
GK1629 .....	49	GP64526G1 .....	79
GK1726 .....	49	GP64528G1 .....	79
GK1729 .....	49	GP654CG1 .....	79
GK1826 .....	49	GQ26-1 .....	59
GK1829 .....	49	GQ2626 .....	59
GK1926 .....	49	GQ29-1 .....	59
GK1929 .....	49	GQ2929 .....	59
GK6426 .....	49	GRC12 .....	58
GK6429 .....	49	GRC34 .....	58
GK6434 .....	49	GRC58 .....	58
GK644C .....	49	GRF4C-3 .....	78
GKA25 .....	39	GRF4C-4 .....	78
GKA25SB .....	39	GRL3 .....	58
GKA28 .....	39	GRL4 .....	58
GKA28SB .....	39	GRL5 .....	58
GKA4C .....	39	GRL6 .....	58
GKA8C .....	39	GROUNDMAX .....	110
GL2626 .....	70	GROUNDTAB1/2 .....	25
GL2929 .....	70	GROUNDTAB3/8 .....	25
GL3434 .....	70	GSTUD14HY .....	31
GL4C4C .....	70	GSTUD34HY .....	31
GP1126 .....	47	GSTUD38HY .....	31
GP1129 .....	47	GSTUD916HY .....	31
GP114C .....	47	GX2626 .....	59
GP1426 .....	47	GX264C .....	59
GP1429 .....	47	GX2926 .....	59
GP1434 .....	47	GX2929 .....	59
GP144C .....	47	GX294C .....	59
GP1526G1 .....	79	GX3426 .....	59
GP1629 .....	47	GX3429 .....	59

## ALPHA-NUMERIC INDEX (Continued)

<b>Catalog Number</b>	<b>Page #</b>	<b>Catalog Number</b>	<b>Page #</b>
GX3434.....	59	KC20.....	34
GX344C.....	59	KC20B1.....	34
GX4C4C.....	59	KC22.....	34
GXP1828RF.....	77	KC22B1.....	34
GZ26-12.....	70	KC22J12T13.....	37
GZ26-38.....	70	KC23.....	34
GZ26-58.....	70	KC23B1.....	34
GZ29-12.....	70	KC25.....	34
GZ29-38.....	70	KC25B1.....	34
GZ29-58.....	70	KC26.....	34, 37
GZ4C-12.....	70	KC26B1.....	34
GZ4C-38.....	70	KC28.....	34
GZ4C-58.....	70	KC28B1.....	34
J278.....	75	KC31.....	34
J279.....	75	KC31B1.....	34
J280.....	75	KC34.....	34
J295.....	75	KC34B1.....	34
K2C15.....	34	KC34J12T13.....	37
K2C15B1.....	34	KCKF23.....	36
K2C17.....	34	KCKF25.....	36
K2C17B1.....	34	KCKF28.....	36
K2C20.....	34	KPB4CG1.....	39
K2C20B1.....	34	KS15.....	37
K2C22.....	34	KS17.....	37
K2C22B1.....	34	KS20.....	37
K2C23.....	34	KS22.....	37
K2C23B1.....	34	KS23.....	37
K2C25.....	34	KS25.....	37
K2C25B1.....	34	KS26.....	37
K2C26.....	34	KS27.....	37
K2C26B1.....	34	KS29.....	37
K2C28.....	34	KS31.....	37
K2C28B1.....	34	KS34.....	37
K2C28G3.....	34	MCC1000.....	156
K2C31.....	34	MCC1000BLADESET.....	156
K2C31B1.....	34	MCC600.....	156
K2C34.....	34	MCC600BLADESET.....	156
K2C34B1.....	34	P15K.....	139, 140, 143, 144
KC15.....	34	P8A.....	165
KC15B1.....	34	PAT46CLWSLI.....	139
KC17.....	34	PAT46LWLI.....	140
KC17B1.....	34		

**ALPHA-NUMERIC INDEX (Continued)**

<b>Catalog Number</b>	<b>Page #</b>	<b>Catalog Number</b>	<b>Page #</b>
PAT46LWLILCB .....	140	PENE-8.....	165
PAT46LWSLI .....	139	PENE-GAL.....	165
PAT46LWSLILCB.....	139	PENE-QT.....	165
PAT750CLI.....	141	PENHT1LB .....	165
PAT750CXT18V.....	141	PENHT-4 .....	165
PAT750KLI.....	141	PENHT-8.....	165
PAT750LI .....	141	PENHTGAL.....	165
PAT750LILCB.....	141	PIBEAMKIT .....	29
PAT750XT18V.....	141	PT10024162.....	153
PATCHGR LI .....	139, 140, 141, 150, 151	PT10037384 .....	150, 153, 154
PATCHGR LIDC .....	139, 140, 141, 150, 151	PT10037388 .....	150, 153, 154
PATCUT129ACSR18V .....	150	PT10038657 .....	151, 155
PATCUT129ACSR18V250V.....	150	PT10040663.....	151, 155
PATCUT129ACSR18VDC .....	150	PT10043890.....	154
PATCUT129LI.....	150	PT10054094.....	143, 144, 145, 155
PATCUT129LIDC.....	150	PT208620.....	139, 140, 141, 150, 151
PATCUT129LILCB .....	150	PT29291 .....	142, 145, 146, 147
PATCUT245CUAL18V .....	151	PT294021 .....	145
PATCUT245CUAL18V250V.....	151	PT2990010.....	161
PATCUT245CUAL18VDC.....	151	PT2990015.....	161
PATCUT245LI .....	151	PT2990025.....	161
PATCUT245LIDC .....	151	PT2990110 .....	161
PATCUT245LILCB.....	151	PT2990115 .....	161
PENA 1/2 .....	165	PT2990125 .....	161
PENA13-4.....	165	PT2990210 .....	161
PENA13-55GAL.....	165	PT2990215 .....	161
PENA13-5GAL.....	165	PT2990225.....	161
PENA13-8.....	165	PT9711 .....	160
PENA13CARTRIDGE .....	165	PU998 .....	147
PENA13-GAL.....	165	PUADP1.....	139, 140, 143, 144
PENA13-QT.....	165	QGFL1CB1 .....	76
PENA-4.....	165	QGFL1CB1T6.....	76
PENA-55GAL.....	165	QGFL26B1 .....	76
PENA-5GAL.....	165	QGFL26B1T6.....	76
PENACARTRIDGE.....	165	QGFL26B2 .....	76
PENA-GAL.....	165	QGFL26B2T6.....	76
PENA-QT.....	165	QGFL29B1 .....	76
PENE-4.....	165	QGFL29B1T6.....	76
PENE-55GAL.....	165		
PENE-5GAL.....	165		

## ALPHA-NUMERIC INDEX (Continued)

<b>Catalog Number</b>	<b>Page #</b>	<b>Catalog Number</b>	<b>Page #</b>
QGFL31B1.....	76	TMH262SS.....	172
QGFL31B1T6.....	76	TMH263.....	172
QGFL34B1.....	76	TMH263SS.....	172
QGFL34B1T6.....	76	TMH264.....	172
QGFL39B1.....	76	TMH264SS.....	172
QGFL39B1T6.....	76	TMH265.....	172
QGFL44B1.....	76	TMH265SS.....	172
QGFL44B1T6.....	76	TMH266.....	172
QGFL46B1.....	76	TMH267.....	172
QGFL46B1T6.....	76	TMH267SS.....	172
QGFL48B1.....	76	TMH268.....	172
QIKLITE.....	83	TMH268SS.....	172
QIKLITEKIT.....	83	TMH269.....	172
QIKSTIK.....	83	TMH269SS.....	172
RCC1000.....	157	TMH270.....	172
RCC336.....	158	TMH270SS.....	172
RCC556.....	158	TMH271.....	172
RCC600E.....	157	TMH271SS.....	172
RCC750HD.....	157	TMH272.....	172
RCC954ACSR1K.....	158	TMH272SS.....	172
RGC39G1.....	75	TMH289.....	172
RGC44G1.....	75	TMH294.....	172
RHCC129ACSR.....	154	TMH294SS.....	172
RHCC245CUAL.....	155	TMH295.....	172
RHCCHSA.....	154, 155	TMH295SS.....	172
RP50RP02.....	152	TMH322SS.....	172
RP50RP03.....	152	TMH332.....	172
RPC701302.....	157	TMH69.....	172
RPC701402.....	157	TMH69SS.....	172
RPC705501.....	158	TMHG-42.....	29
RPC705601.....	158	TMHG-92.....	29
RPC902101.....	158	U1011.....	147
RPC902201.....	158	U1104.....	147
SB232TC14.....	35	U1105.....	147
SB232TC38.....	35	U1CART.....	146, 147
SB23U.....	35	U1CRT1.....	146, 147
SB252TC14.....	35	U1CRT1W.....	146, 147
SB252TC38.....	35	U25ART.....	146, 147
SB25U.....	35	U25RT.....	146, 147
TMH261.....	172	U25RTW.....	146, 147
TMH261SS.....	172	U26ART.....	146, 147
TMH262.....	172	U26RT.....	146, 147

**ALPHA-NUMERIC INDEX (Continued)**

<b>Catalog Number</b>	<b>Page #</b>	<b>Catalog Number</b>	<b>Page #</b>
U26RTW.....	146, 147	UB1029.....	173
U27ART.....	146, 147	UB1030.....	173
U27RT.....	146, 147	UB1031.....	173
U27RTW.....	146, 147	UB1032.....	173
U28ART.....	146, 147	UB1033.....	173
U28RT.....	146, 147	UB104.....	173
U28RTW.....	146, 147	UB105.....	173
U29ART.....	146, 147	UB106.....	173
U29RT.....	146, 147	UB107.....	173
U2CABT.....	14, 15, 17, 18, 146, 147	UB124.....	173
U2CRT.....	146, 147	UB178.....	173
U2CRTW.....	146, 147	UB187.....	173
U30ART.....	146, 147	UB199.....	173
U30RT.....	146, 147	UB204.....	173
U31ART.....	146, 147	UB222.....	173
U31RT.....	146, 147	UB224.....	173
U32ART.....	146, 147	UB230.....	173
U32RT.....	146, 147	UB232.....	173
U34ART.....	146, 147	UB236.....	173
U34RT.....	146, 147	UB242.....	173
U36ART.....	146, 147	UB244.....	173
U36RT.....	146, 147	UB249.....	173
U38XRT.....	146	UB254.....	173
U39ART2.....	146, 147	UB257.....	173
U39RT.....	146, 147	UB258.....	173
U3CRT.....	146	UB260.....	173
U3CRTW.....	146	UB261.....	173
U44XRT.....	146	UB262.....	173
U4CABT.....	146, 147	UB263.....	173
U4CRT.....	146, 147	UB264.....	173
U4CRTW.....	146, 147	UB266.....	173
U5CRT.....	146, 147	UB267.....	173
U5CRTW.....	146, 147	UB268.....	173
U6CABT.....	146, 147	UB269.....	173
U8CABT.....	146	UB271.....	173
U8CRT.....	146	UB275.....	173
U8CRTW.....	146, 147	UB282.....	173
U997.....	147	UB291.....	173
UB101.....	173	UB293.....	173
UB1027.....	173	UB294.....	173
UB1028.....	173	UB300.....	173
		UB302.....	173

## ALPHA-NUMERIC INDEX (Continued)

<b>Catalog Number</b>	<b>Page #</b>	<b>Catalog Number</b>	<b>Page #</b>
UB306.....	173	W239.....	148, 149
UB310.....	173	W241.....	148, 149
UB311.....	173	W245.....	148, 149
UB314.....	173	W249.....	148, 149
UB315.....	173	W25RT.....	148, 149
UB317.....	173	W25VT.....	148
UB318.....	173	W26RT.....	148, 149
UB319.....	173	W26VT.....	148
UB328.....	173	W27RT.....	148, 149
UB336.....	173	W27VT.....	148
UB344.....	173	W28RT.....	148, 149
UB354.....	173	W28VT.....	148
UB357.....	173	W29RT.....	148, 149
UB358.....	173	W29VT.....	148
UB383.....	173	W2CRT.....	148, 149
UB384.....	173	W2CVT.....	148
UB390.....	173	W30RT.....	148
UB392.....	173	W30VT.....	148
UB399.....	173	W31ART.....	148, 149
UB400.....	173	W31RT.....	148, 149
UB416.....	173	W31VT.....	148
UB422.....	173	W32RT.....	148
UB425.....	173	W32VT.....	148
UB436.....	173	W33RT.....	148
UB437.....	173	W33VT.....	148
UB464.....	173	W34RT.....	148, 149
UB540.....	173	W34VT.....	148
UC.....	147	W36RT.....	148
UDIEKITAL.....	147	W3CRT.....	148, 149
UDIEKITCU.....	147	W4CRT.....	148, 149
UDIEKITCUW.....	147	W4CVT.....	148
UIBEAMKIT.....	29	W5CRT.....	148, 149
UO.....	147	W5CVT.....	148
UPRECRIMP 12.....	14, 15, 17, 18	W660.....	148, 149
UPRECRIMP 34.....	14, 15, 17, 18	W8CRT.....	148, 149
UPRECRIMP 58.....	14, 15, 17, 18	W8CVT.....	148
W161.....	148, 149	WBS10V.....	136
W162.....	148, 149	WBS12V.....	136
W163.....	148, 149	WBS14V.....	136
W166.....	148, 149	WBS20V.....	136
W1CRT1.....	148, 149	WBS24V.....	136
W1CVT.....	148	WBS30V.....	136

**ALPHA-NUMERIC INDEX (Continued)**

<b>Catalog Number</b>	<b>Page #</b>	<b>Catalog Number</b>	<b>Page #</b>
WBS36V .....	136	WEEB-DHF .....	130
WBS8V .....	136	WEEB-DMC .....	131
WDIEKITAL .....	149	WEEB-DPF .....	131
WDIEKITCU .....	149	WEEB-DPR .....	131
WDIETREE .....	148	WEEB-DSK12 .....	128
WEEB-11.5 .....	129	WEEB-DSK14 .....	128
WEEB-15.8 .....	133	WEEB-DSK38 .....	128
WEEB-6.7 .....	133	WEEB-DSK516 .....	128
WEEB-8.0 .....	133	WEEB-DSK516-31 .....	128
WEEB-8.2 .....	133	WEEB-DSK516-45 .....	128
WEEB-9.5 .....	129	WEEB-DSKBD34 .....	128
WEEB-9.5NL .....	129	WEEB-ECR .....	131
WEEB-ADC .....	130	WEEB-FBM14 .....	129
WEEB-ADR .....	130	WEEB-FBM516 .....	129
WEEB-ASR .....	130	WEEB-JJR .....	131
WEEB-ATF .....	130	WEEB-KMC .....	131
WEEB-BMC .....	127	WEEB-KSR .....	131
WEEB-BMC-1 .....	130	WEEB-LUG-10.3 .....	125
WEEB-BMC2-14 .....	123	WEEB-LUG-15.8 .....	125
WEEB-BMC2-14BK .....	123	WEEB-LUG-15.8HS .....	126
WEEB-BMC2-14CL .....	123	WEEB-LUG-6.7 .....	125
WEEB-BMC2-516 .....	123	WEEB-LUG-6.7AS .....	125
WEEB-BMC2-516BK .....	123	WEEB-LUG-6.7ASHS .....	126
WEEB-BMC2-516CL .....	123	WEEB-LUG-6.7HS .....	126
WEEB-BND.JMP6.7AS .....	120	WEEB-LUG-8.0 .....	125
WEEB-BNDJMP12 .....	120	WEEB-LUG-8.0AS .....	125
WEEB-BNDJMP12AS .....	120	WEEB-LUG-8.0ASHS .....	126
WEEB-BNDJMP18 .....	120	WEEB-LUG-8.0HS .....	126
WEEB-BNDJMP18AS .....	120	WEEB-LUG-8.0UN .....	125
WEEB-BNDJMP24 .....	120	WEEB-LUG-8.0UNHS .....	126
WEEB-BNDJMP24AS .....	120	WEEB-LUG-8.2 .....	125
WEEB-BNDJMP36 .....	120	WEEB-LUG-8.2HS .....	126
WEEB-BNDJMP36AS .....	120	WEEB-M-KR .....	127
WEEB-BNDJMP6.7 .....	120	WEEB-MSNR516 .....	127
WEEB-BNDJMP8.0 .....	120	WEEB-OCR .....	131
WEEB-BNDJMP8.0AS .....	120	WEEB-OSF .....	131
WEEB-BNDJMP8.2 .....	120	WEEB-PMC .....	132
WEEB-BNDJMP8.2MS .....	120	WEEB-RPR .....	132
WEEB-BNDJMP9 .....	120	WEEB-SCR .....	132
WEEB-CCR .....	130	WEEB-SMC-2 .....	132
WEEB-CCR-2 .....	130	WEEB-SSF .....	132
WEEB-CMC .....	130	WEEB-SSR .....	132

## ALPHA-NUMERIC INDEX (Continued)

<b>Catalog Number</b>	<b>Page #</b>	<b>Catalog Number</b>	<b>Page #</b>
WEEB-STC .....	132	WILEYBRAID6-38 .....	121
WEEB-UIR .....	129	WILEYBRAID6-516.....	121
WEEB-UMC.....	132	WILEYBRAID6-916 .....	122
WEEB-WMC.....	132	WILEYBRAID8-12.....	122
WEFL6.8P80-14 .....	124	WILEYBRAID8-34 .....	122
WEFL6.8P80-516 .....	124	WILEYBRAID8-916 .....	122
WILEYBRAID10-12.....	122	WILEYBRAID9 .....	121
WILEYBRAID10-34 .....	122	WILEYBRAID9-38 .....	121
WILEYBRAID10-916.....	122	WILEYBRAID9-516.....	121
WILEYBRAID12 .....	121	WILEYLUG15.8.....	125
WILEYBRAID12-12 .....	122	WILEYLUG15.8HS.....	126
WILEYBRAID12-34.....	122	WILEYLUG6.7 .....	125
WILEYBRAID12-38.....	121	WILEYLUG6.7HS.....	126
WILEYBRAID12-516.....	121	WILEYLUG8.0 .....	125
WILEYBRAID12-916.....	122	WILEYLUG8.0HS.....	126
WILEYBRAID18 .....	121	WILEYLUG8.2 .....	125
WILEYBRAID18-12 .....	122	WILEYLUG8.2HS.....	126
WILEYBRAID18-34 .....	122	WIPC14-1.....	137
WILEYBRAID18-38 .....	121	WIPC14-112.....	137
WILEYBRAID18-516.....	121	WIPC14-12.....	137
WILEYBRAID18-916.....	122	WIPC14-14.....	137
WILEYBRAID24 .....	121	WIPC14-34 .....	137
WILEYBRAID24-12.....	122	WIS12-3.....	137
WILEYBRAID24-34 .....	122	WIS8-2 .....	137
WILEYBRAID24-38 .....	121	WMFH6.8P80-14.....	124
WILEYBRAID24-516.....	121	WMFH6.8P80-516 .....	124
WILEYBRAID24-916 .....	122	X8CART .....	148, 149
WILEYBRAID30 .....	121	Y10AC9 .....	159
WILEYBRAID30-12.....	122	Y10AC9OEM.....	159
WILEYBRAID30-34 .....	122	Y46CLWSBH.....	143
WILEYBRAID30-38 .....	121	Y46CLWSBHF .....	143
WILEYBRAID30-516 .....	121	Y46LWBH .....	144
WILEYBRAID30-916 .....	122	Y46LWBHF .....	144
WILEYBRAID36 .....	121	Y46LWSBH.....	143
WILEYBRAID36-12.....	122	Y46LWSBHF .....	143
WILEYBRAID36-34 .....	122	Y750BHXT .....	145
WILEYBRAID36-38.....	121	Y750CBHXT .....	145
WILEYBRAID36-516 .....	121	Y750CHSXT .....	142
WILEYBRAID36-916 .....	122	Y750HSCASE.....	142
WILEYBRAID6 .....	121	Y750HSXT .....	142
WILEYBRAID6-12.....	122	YACCASE.....	159
WILEYBRAID6-34 .....	122	YACFC .....	159



**ALPHA-NUMERIC INDEX (Continued)**

<b>Catalog Number</b>	<b>Page #</b>	<b>Catalog Number</b>	<b>Page #</b>
YCUT129ACSR .....	153	YGHC34C29 .....	17
YG14B2TC2C2C.....	33	YGHC34C34 .....	17
YG14B2TC2C6C .....	33	YGHHC26C26 .....	18
YG14BTC28.....	33	YGHHC29C26 .....	18
YG916BTC26 .....	33	YGHHC29C29 .....	18
YGA25-2N .....	24	YGHHC34C26 .....	18
YGA26-2N .....	24	YGHHC34C29 .....	18
YGA28-2N .....	24	YGHHC34C34 .....	18
YGA29-2N .....	24	YGHP29C2.....	15
YGA2C-2N .....	24	YGHP29C26 .....	15
YGA2C-2TC38.....	24	YGHP29C29 .....	15
YGA34-2N .....	24	YGHP29C6W6W .....	15
YGA6C-2N.....	24	YGHP2C2.....	15
YGA6C-2TC38E2G1.....	24	YGHP2C6W6W.....	15
YGA6C-TC10.....	24	YGHP34C2.....	15
YGA6C-TC14.....	24	YGHP34C26 .....	15
YGA6C-TC516.....	24	YGHP34C29 .....	15
YGA8C-2N.....	24	YGHP34C34 .....	15
YGA8C-TC10.....	24	YGHP58C2W-2 .....	16
YGA8C-TC14.....	24	YGHP58C2W-2TN.....	16
YGA8C-TC516 .....	24	YGHR26C100.....	21
YGC6C6 .....	19	YGHR26C12 .....	21
YGC6C8 .....	19	YGHR26C34.....	21
YGC8C8 .....	19	YGHR26C58.....	21
YGF29-2N.....	28	YGHR29C100.....	21
YGF29-4N .....	28	YGHR29C12 .....	21
YGF34-2N.....	28	YGHR29C34.....	21
YGF34-4N .....	28	YGHR29C58 .....	21
YGHA25-2N .....	23	YGHR34C100.....	21
YGHA26-2N .....	23	YGHR34C34 .....	21
YGHA27-2N.....	23	YGHR34C58 .....	21
YGHA28-2N .....	23	YGHR58C2W-3.....	22
YGHA29-2N .....	23	YGHS25.....	26
YGHA2C-2N .....	23	YGHS26.....	26
YGHA31-2N.....	23	YGHS27 .....	26
YGHA34-2N .....	23	YGHS28.....	26
YGHC26C2 .....	17	YGHS29.....	26
YGHC26C26 .....	17	YGHS2C .....	26
YGHC29C26 .....	17	YGHS31 .....	26
YGHC29C29 .....	17	YGHS34.....	26
YGHC2C2.....	17	YGIBGAUGE1.....	29
YGHC34C26 .....	17	YGIBKIT1 .....	29

## ALPHA-NUMERIC INDEX (Continued)

<b>Catalog Number</b>	<b>Page #</b>	<b>Catalog Number</b>	<b>Page #</b>
YGIBS28-338-2N.....	30	YGS29.....	27
YGIBS28-400-2N.....	30	YGS2C.....	27
YGIBS28-462-2N.....	30	YGS34.....	27
YGIBS28-550-2N.....	30	YGS6C.....	27
YGIBS28-613-2N.....	30	YGS8C.....	27
YGIBS28-675-2N.....	30	YGT275.....	32
YGIBS34-338-2N.....	30	YSHG3429.....	20
YGIBS34-400-2N.....	30	YSHG3434.....	20
YGIBS34-462-2N.....	30	YSHG3931.....	20
YGIBS34-550-2N.....	30	YSHG4429.....	20
YGIBS34-675-2N.....	30	YTTAG388.....	32
YGIBW28-1000-2N.....	30		
YGIBW28-338-2N.....	30		
YGIBW28-400-2N.....	30		
YGIBW28-462-2N.....	30		
YGIBW28-550-2N.....	30		
YGIBW28-613-2N.....	30		
YGIBW28-675-2N.....	30		
YGIBW28-750-2N.....	30		
YGIBW34-338-2N.....	30		
YGIBW34-400-2N.....	30		
YGIBW34-462-2N.....	30		
YGIBW34-550-2N.....	30		
YGIBW34-613-2N.....	30		
YGIBW34-675-2N.....	30		
YGL29C2.....	13		
YGL29C29.....	13		
YGL2C2.....	13		
YGL34C2.....	13		
YGL34C29.....	13		
YGL34C34.....	13		
YGLR29C100.....	14		
YGLR29C12.....	14		
YGLR29C34.....	14		
YGLR29C58.....	14		
YGLR34C100.....	14		
YGLR34C12.....	14		
YGLR34C34.....	14		
YGLR34C58.....	14		
YGS25.....	27		
YGS26.....	27		
YGS28.....	27		





**BURNDY® is the Grounding Superstore**

The Grounding Superstore™ is home to three versatile grounding systems: Mechanical Grounding, BURNDYWeld® Exothermic Grounding and HYGROUND® Irreversible Compression Grounding.

[www.burndy.com](http://www.burndy.com) | 1-800-346-4175



**Customer Service Department**

7 Aviation Park Drive  
Londonderry, NH 03053  
1-800-346-4175  
1-603-647-5299 (International)

**Canada**

1-800-361-6975 (Quebec)  
1-800-387-6487 (All other provinces)

**Mexico**

011-52-722-265-4400

**Brazil**

011-55-11-5515-7225

**Tool Service Center**

Littleton Industrial Park  
Littleton, NH 03561  
1-800-426-8720



Connecting Power to Your World®

